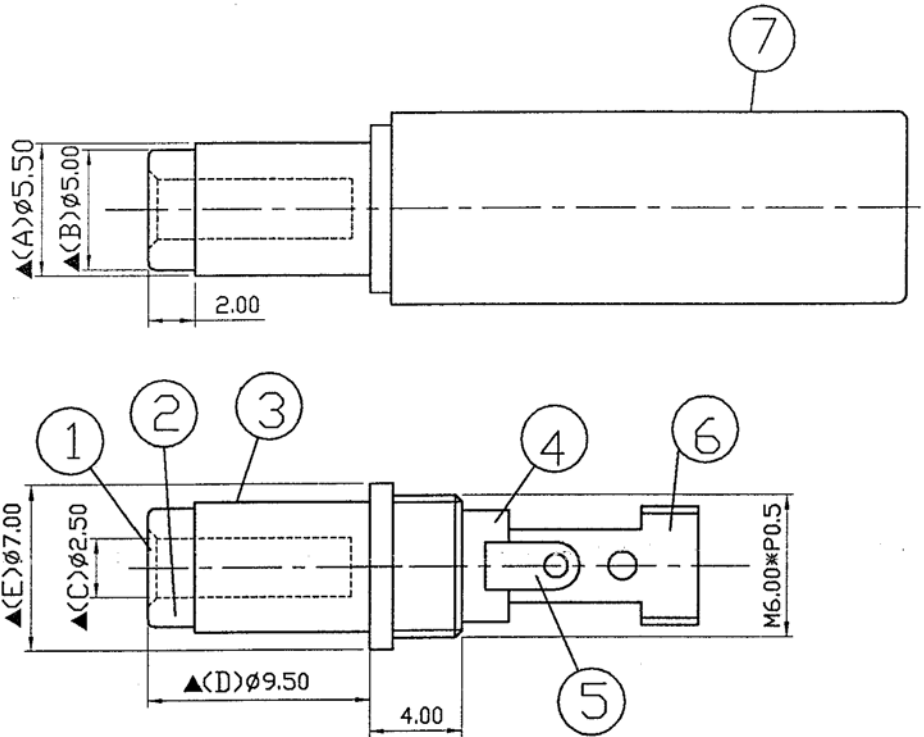
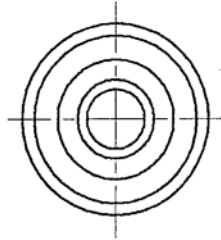


**PROPRIETARY INFORMATION:**  
 PROPRIETARY OF GLOBTEK, INC. ANY REPRODUCTION, DISCLOSURE OR  
 USE OF THIS DRAWING, IN WHOLE OR IN PART, IS HEREBY  
 PROHIBITED EXCEPT AS SPECIFIED IN WRITING BY GLOBTEK, INC.

REVISION			
REV	DESCRIPTION	DATE	APPROVED
A	INITIAL RELEASE, RFS.6183, DMR	05/09/05	DMR



7.	Housing	ABS	1	Black Color
6.	Ground Terminal	Brass	1	Nickel plated
5.	Terminal	Brass	1	Nickel plated
4.	Insulator	PA66+30%	1	Blue Color
3.	Outer Sleeve	Brass	1	Nickel plated
2.	Insulator Ring	ABS	1	Black Color
1.	Inner Barrel	Brass	1	Nickei plated
NO.	Description	Material	Q'TY	Finish

**SPECIFICATIONS:**

See "Details of Environment-Related Substances"

Contact Resistance : 30mΩ max

Insulation Resistance : 100MΩ min. at DC 500V

Dielectric Withstand Voltage : AC 500V for one minute

Remark: ▲ : Critical Dimensions

DASH NO.	PART NO	REV.	DESCRIPTION	NOTES
<b>TABULATION BLOCK</b>				
		<b>TOLERANCES:</b> DECIMALS ANGULAR .xx +/- 0.1 +/- 1° .xxx +/- .005		<b>GlobTek, Inc.</b> www.globtek.com 186 Veterans Dr. Northvale, NJ 07647 Tel. 201-784-1000 Fax 201.784.0111
		MILLIMETERS ANGULAR .xx +/- 0.3 +/- 1° .xxx +/- .013		
INIT.BY: DMR	DATE: 05/09/05	DWG TITLE: Ø 2.5 DC PLUG		
DRAWN: NF	DATE: 05/09/05	FSCN No.: G, CC, YL	SIZE A	MODEL: SCDP601B0N00000
APRVD: DMR	DATE: 05/09/05	SCALE: NONE		REV. A
PART NO: <b>L01</b>			SHEET 1/1	

**Foot Note:**  
 Globtek Inc. will not be liable for the safety and performance of these power product if unauthorized access and repair occurs. End user should consult the applicable UL, CSA or EN Standards for proper installation instruction.

**Limitation of Use:**  
 Globtek product are not authorized for use as mission critical components in life support, hazardous environment, nuclear or aircraft applications without prior written approval from the CEO of Globtek Inc.

Contents of this document are subject to change without prior notice