

**PROPRIETARY INFORMATION:**

PROPRIETARY OF GLOBTEK, INC. ANY REPRODUCTION, DISCLOSURE OR USE OF THIS DRAWING, IN WHOLE OR IN PART, IS HEREBY PROHIBITED EXCEPT AS SPECIFIED IN WRITING BY GLOBTEK, INC.

**REVISION HISTORY**

REV	DESCRIPTION	SALES	RFS	DATE	APPROVED
A	INITIAL RELEASE	DR	RFI-1818855	4/24/2026	DR

See Page 2 for important battery warranty and usage information.

**Foot Note:**

Globtek Inc. will not be liable for the safety and performance of these power supplies if unauthorized access and repair occurs. End user should consult applicable UL, CSA or EN standards for proper installation instruction.

**Limitation of Use:**

Globtek product are not authorized for use as mission critical components in life support hazardous environment, nuclear or aircraft applications without prior written approval from the CEO of Globtek Inc.

Contents of this document are subject to change without prior notice

 **GlobTek, Inc.**  
[www.globtek.com](http://www.globtek.com)

186 Veterans Drive, Northvale, NJ 07467  
Tel. 201-784-1000 Fax 201-784-0111

Drawing Title: Ni-MH AA2200mAh 12V 10S1P

MODEL NO: BM2200C1450AA10S1PABPI

Part No.: BM2200C1450AA10S1PABPI

REV A

PROPRIETARY INFORMATION:

PROPRIETARY OF GLOBTEK, INC. ANY REPRODUCTION, DISCLOSURE OR USE OF THIS DRAWING, IN WHOLE OR IN PART, IS HEREBY PROHIBITED EXCEPT AS SPECIFIED IN WRITING BY GLOBTEK, INC.

By customer signing or accepting this document, they agree to acknowledge, constantly monitor, and accept the **Guidelines and cautions, Safety Notes, and Safety Precautions published on GlobTek's website**  
[http://en.globtek.com/safety-cautions.php#.UUD-NRzU\\_I8](http://en.globtek.com/safety-cautions.php#.UUD-NRzU_I8)

GlobTek offers a 5-year warranty on workmanship and electrical components assembly on all new battery pack products excluding the battery cells themselves which are covered by the Manufacturer's original warranty at their published warranty period. Please refer to the manufacturer's manufacturer's warranty policy for cells. For GlobTek brand cells, GlobTek provides a 12-month warranty for Li-Ion batteries. The warranty period is based upon the expectation that the battery will deliver 80% of its initial capacity after 300 cycles at low to moderate power loads. High power loads may cause a battery to reach 80% of initial capacity in less than the 12-month warranty period. Li-Ion batteries will continue to operate below the 80% capacity threshold; however, the capacity (run time) delivered between charges will continue to decrease.

The purchaser of GlobTek battery pack products (Customer) agrees that they are a "Sophisticated user" who understands battery technology and that it is their sole responsibility to determine suitability of the product described for their application and to take precautions for protection against any hazards attendant to the handling and use of the product. GlobTek products are only designed for professional use and integration by companies into their products and may not be used by consumers directly. GlobTek provides batteries and battery packs as a component of an end system.

The acceptance of GlobTek specifications, the information on this page and use of the product(s) described in this or other GlobTek documents indicate that the product was qualified for use (tested and/or sample waiver signed), and the acceptance and binding of the customer to GlobTek terms and conditions, which supersede all other agreements, terms and conditions  
<http://en.globtek.com/terms-and-conditions/>

Lithium Ion batteries are inherently dangerous. Continuous usage or charging without allowing the battery to discharge is a hazard. FIRE HAZARD: This like all Li-Ion battery packs must be regularly discharged and charged. it is not recommended to be kept on permanent full charge and in a full state of charge.

**Customer Approval of Specification:**

Please approve, sign and send back to GlobTek so we can complete order processing.

A delay in receipt of this form will delay delivery schedule.

Company Name:


Customer P/N:

Quote Number:

Date:

Authorized Representative Name:

Authorized Representative Signature:

 <b>GlobTek, Inc.</b> <a href="http://www.globtek.com">www.globtek.com</a> 186 Veterans Drive, Northvale, NJ 07467 Tel. 201-784-1000 Fax 201-784-0111	Drawing Title: Ni-MH AA2200mAh 12V 10S1P	0
	MODEL NO: BM2200C1450AA10S1PABPI	
	Part No.: BM2200C1450AA10S1PABPI	REV A

PROPRIETARY INFORMATION:

PROPRIETARY OF GLOBTEK, INC. ANY REPRODUCTION, DISCLOSURE OR USE OF THIS DRAWING, IN WHOLE OR IN PART, IS HEREBY PROHIBITED EXCEPT AS SPECIFIED IN WRITING BY GLOBTEK, INC.

**1.GENERAL SPECIFICATION:**

**BATTERY WITH SAFETY CIRCUIT AND PLASTIC HOUSING**

CELL:	BPI-49AA2200mAh
PCM:	N/A
NTC:	N/A
ID:	N/A
CONFIGURATION:	10S1P
WEIGHT:	APROX:285g

**2.ELECTRICAL SPECIFICATION FOR PACK:**

RATED CAPACITY:	Typical capacity:2200 mAh,Minimum capacity:2100 mAh
NOMINAL VOLTAGE:	12.00V
WATT-HOUR RATING:	26.400Wh
Charge Voltage:	The voltage shall be less than 16 V
Standard charge rat:	220mA×16hrs
Rapid charge rate:	1100mA×140min (-ΔV= 5mV/pcs)
DISCHARGE:	0.5C
REC. DISCHARGE CUT OFF:	10.0V
INTERNAL IMPEDANCE:	≤480mΩ
EXP. CYCLE LIFE:	≥500 CYCLES ≥ 70% OF INITIAL CAP

CELL PROTECTION:

**3. AMBIENT CONDITIONS**

TEMPERATURE RANGE:	
CHARGE:	-10 TO +40°C
DISCHARGE:	-20 TO +55°C
CHARGE RETENTION/STORAGE [%]:	1 YEAR AT -20 To +35°C 6 MONTHS AT -20 To +45°C 1 MONTH AT -20 To +50°C
HUMIDITY:	65 ±20%RH

**4.ENVIORMENTAL AND SAFETY**

PLEASE FOLLOW GlobTek, Inc. HANDLING AND SAFETY PRECAUTIONS FOR Lilon & LiPolymer.

**5. CELL REGULATORY APPROVALS:**

UL:	UL1642
-----	--------

**6. BATTERY PACK APPROVALS:**

RoHS:	COMPLIES WITH EU 2002/95/EC AND CHINA SJ/T 11363-2006
CE Mark:	COMPLIES WITH 2013/56/EU EN61000-6-1:2007, EN61000-6-3:2007
TRANSPORTATION:	PACK DESIGNED TO MEET un38.3
UL:	Design to meet UL2054, IEC62133



**GlobTek, Inc.**  
[www.globtek.com](http://www.globtek.com)  
186 Veterans Drive, Northvale, NJ 07467  
Tel. 201-784-1000 Fax 201-784-0111

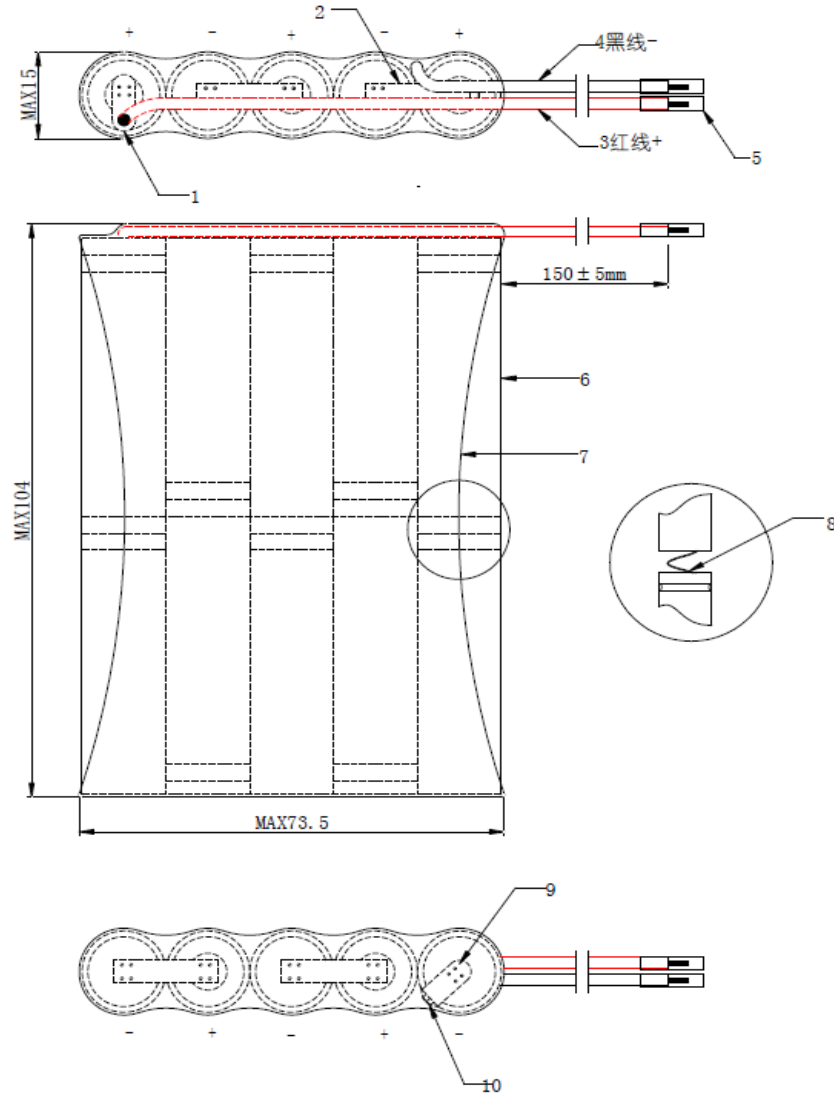
Drawing Title: Ni-MH AA2200mAh 12V 10S1P  
0  
MODEL NO: BM2200C1450AA10S1PABPI  
Part No.: BM2200C1450AA10S1PABPI  
REV A

PROPRIETARY INFORMATION:

PROPRIETARY OF GLOBTEK, INC. ANY REPRODUCTION, DISCLOSURE OR USE OF THIS DRAWING, IN WHOLE OR IN PART, IS HEREBY PROHIBITED EXCEPT AS SPECIFIED IN WRITING BY GLOBTEK, INC.

**7. MECHANICAL:**

DIMENSIONS:	>>>SEE DRAWING>>>
SHRINK WRAP:	
WIRE TYPE:	Red Wire UL1007 #20 R + Black Wire UL1007 #20 B -
WIRE LENGTH:	
WIRE POLARITY:	
CONNECTOR TYPE:	
TIN LENGTH:	N/A
ADDITIONAL REQUIREMENTS:	N/A



[ADDITIONAL OUTPUT PLUG OPTIONS ARE AVAILABLE BY CLICKING THIS LINK.](#)  
[STANDARD PLUGS AND CONNECTORS CAN BE SEEN ONLINE BY CLICKING THIS LINK](#)

**GlobTek, Inc.**  
[www.globtek.com](http://www.globtek.com)

186 Veterans Drive, Northvale, NJ 07467  
 Tel. 201-784-1000 Fax 201-784-0111

Drawing Title: Ni-MH AA2200mAh 12V 10S1P

MODEL NO: BM2200C1450AA10S1PABPI

Part No.: BM2200C1450AA10S1PABPI

0

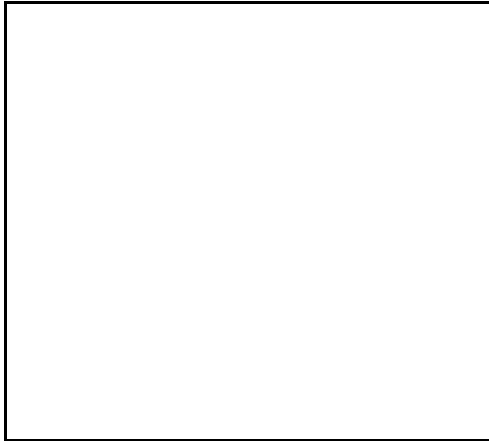
REV A

PROPRIETARY INFORMATION:

PROPRIETARY OF GLOBTEK, INC. ANY REPRODUCTION, DISCLOSURE OR USE OF THIS DRAWING, IN WHOLE OR IN PART, IS HEREBY PROHIBITED EXCEPT AS SPECIFIED IN WRITING BY GLOBTEK, INC.

**8. OUTPUT CONNECTOR:**

ACTUAL CONNECTOR'S, OVERMOLDS, MAY VARY SLIGHTLY FROM THE PICTURE BELOW



EQUIVALENT	Y / N	
PLUG TYPE	N	Stripped & Tinned
OVER MOLD ORIENTATION		N/A
PLUG DIMENSIONS		
BARREL PLUG INTERNAL SPRING CLIP		N/A
BARREL PLUG LOCKING NOTCH		N/A
POLARITY		N/A
ADDITIONAL REQUIREMENTS		N/A

[ADDITIONAL OUTPUT PLUG OPTIONS ARE AVAILABLE BY CLICKING THIS LINK.](#)  
[STANDARD PLUGS AND CONNECTORS CAN BE SEEN ONLINE BY CLICKING THIS LINK](#)

**PROPRIETARY INFORMATION:**

PROPRIETARY OF GLOBTEK, INC. ANY REPRODUCTION, DISCLOSURE OR USE OF THIS DRAWING, IN WHOLE OR IN PART, IS HEREBY PROHIBITED EXCEPT AS SPECIFIED IN WRITING BY GLOBTEK, INC.

**9. LABEL:**

MATERIAL:	TBD
BACKGROUND COLOR:	SEE LABEL
TEXT COLOR:	SEE LABEL
LABEL WIDTH: (mm)	
LABEL HEIGHT: (mm)	
ADDITIONAL REQUIREMENTS:	N/A

 **GlobTek, Inc.**

[www.globtek.com](http://www.globtek.com)

186 Veterans Drive, Northvale, NJ 07467

Tel. 201-784-1000 Fax 201-784-0111

Drawing Title: Ni-MH AA2200mAh 12V 10S1P

0

MODEL NO: BM2200C1450AA10S1PABPI

Part No.: BM2200C1450AA10S1PABPI

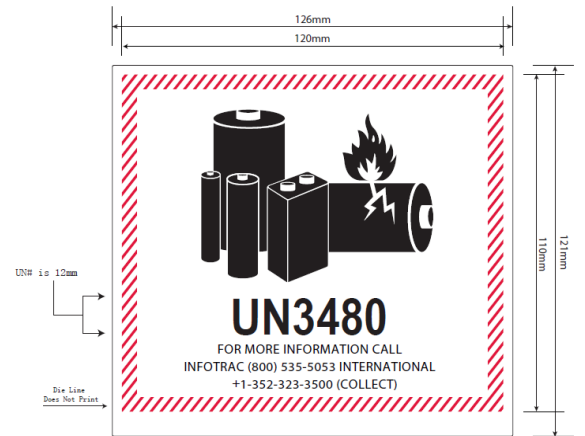
REV A

**PROPRIETARY INFORMATION:**

PROPRIETARY OF GLOBTEK, INC. ANY REPRODUCTION, DISCLOSURE OR USE OF THIS DRAWING, IN WHOLE OR IN PART, IS HEREBY PROHIBITED EXCEPT AS SPECIFIED IN WRITING BY GLOBTEK, INC.

**10. PACKAGING:**

PE BAG SIZE	
CARTON SIZE:	
QUANTITY PER CARTON:	
G.W.	TBD



**GlobTek, Inc.**  
[www.globtek.com](http://www.globtek.com)

186 Veterans Drive, Northvale, NJ 07467  
 Tel. 201-784-1000 Fax 201-784-0111

Drawing Title: Ni-MH AA2200mAh 12V 10S1P

MODEL NO: BM2200C1450AA10S1PABPI

Part No.: BM2200C1450AA10S1PABPI

0

REV A