

**PROPRIETARY INFORMATION:**

PROPRIETARY OF GLOBTEK, INC. ANY REPRODUCTION, DISCLOSURE OR USE OF THIS DRAWING, IN WHOLE OR IN PART, IS HEREBY PROHIBITED EXCEPT AS SPECIFIED IN WRITING BY GLOBTEK, INC.

**REVISION HISTORY**

REV	DESCRIPTION	SALES	RFS	DATE	APPROVED
A	Initial Release	SV	26633	1/19/2017	DR
B	Update Label Drawing	SV	26983	1/2/2018	DR
C	Update date code to WWYY on label	SV	27008	1/29/2018	DR
D	Update capacity from 1950AH (Min) to 1950mAh (Min) and 2000AH (MAximum) to 2000mAh (Maximum)	SV	27347	5/22/2019	DR
E	Remove Li-Ion Dangerous Goods label from packaging	SV	27360	6/3/2019	DR
F	RemoveTUV mark from the label	MK	27569	8/25/2020	DR

See Page 2 for important battery warranty and usage information.

**Foot Note:**

Globtek Inc. will not be liable for the safety and performance of these power supplies if unauthorized access and repair occurs. End user should consult applicable UL, CSA or EN standards for proper installation instruction.

**Limitation of Use:**

Globtek product are not authorized for use as mission critical components in life support hazardous environment, nuclear or aircraft applications without prior written approval from the CEO of Globtek Inc.

Contents of this document are subject to change without prior notice



GlobTek®, Inc.

[www.globtek.com](http://www.globtek.com)

186 Veterans Drive, Northvale, NJ 07467

Tel. 201-784-1000 Fax 201-784-0111

Drawing Title: NiMh Battery Pack

2.4Volts @ 2000mAh

MODEL NO: AA2000

PART NO: BM2000C1450AA2S1PATP

Rev. F

**PROPRIETARY INFORMATION:**

PROPRIETARY OF GLOBTEK, INC. ANY REPRODUCTION, DISCLOSURE OR USE OF THIS DRAWING, IN WHOLE OR IN PART, IS HEREBY PROHIBITED EXCEPT AS SPECIFIED IN WRITING BY GLOBTEK, INC.

By customer signing or accepting this document, they agree to acknowledge and accept the **Guidelines and cautions, Safety Notes, and Safety Precautions published on GlobTek's website** [http://en.globtek.com/safety-cautions.php#.UUD-NRzU\\_I8](http://en.globtek.com/safety-cautions.php#.UUD-NRzU_I8)

GlobTek offers a 5-year warranty on workmanship and electrical components assembly on all new battery pack products excluding the battery cells themselves which are covered by the Manufacturer's original warranty at their published warranty period. Please refer to the manufacturer's manufacturer's warranty policy for cells. For GlobTek brand cells, GlobTek provides a 12-month warranty for Li-Ion batteries. The warranty period is based upon the expectation that the battery will deliver 80% of its initial capacity after 300 cycles at low to moderate power loads. High power loads may cause a battery to reach 80% of initial capacity in less than the 12-month warranty period. Li-Ion batteries will continue to operate below the 80% capacity threshold; however, the capacity (run time) delivered between charges will continue to decrease.

The purchaser of this product (Customer) agrees that it is their sole responsibility to determine suitability of the product described for their application and to take precautions for protection against any hazards attendant to the handling and use of the product. Products sold are not returnable. GlobTek, Inc. will produce or provide its products to our published specifications. The purchaser of this product (Customer) shall be solely responsible for determining the products' fitness for use in their applications.

**Customer Approval of Specification:**

Please approve, sign and send back to GlobTek so we can complete order processing.

A delay in receipt of this form will delay delivery schedule.

Company Name:


Customer P/N:

Quote Number:

Date:

Authorized Representative Name:

Authorized Representative Signature:

 GlobTek®, Inc.

[www.globtek.com](http://www.globtek.com)

186 Veterans Drive, Northvale, NJ 07467

Tel. 201-784-1000 Fax 201-784-0111

Drawing Title: NiMh Battery Pack

2.4 Volts@ 2000mAh

MODEL NO: AA2000

PART NO: BM2000C1450AA2S1PATP

Rev. F

**PROPRIETARY INFORMATION:**

PROPRIETARY OF GLOBTEK, INC. ANY REPRODUCTION, DISCLOSURE OR USE OF THIS DRAWING, IN WHOLE OR IN PART, IS HEREBY PROHIBITED EXCEPT AS SPECIFIED IN WRITING BY GLOBTEK, INC.

**1.GENERAL SPECIFICATION:**

CELL:	AA2000
PCM:	N/A
THERMAL PROTECTOR:	PEPI VA55(Soldered to the pack in series configuration,located between cells on bottom side)
ID:	N/A
CONFIGURATION:	2S1P
WEIGHT:	Approx 60 grams

**2.ELECTRICAL SPECIFICATION FOR PACK:**

RATED CAPACITY:	1950mAh (Minimum); 2000mAh(Maximum)
NOMINAL VOLTAGE:	2.4 Volts
WATT-HOUR RATING:	4.8WH
CHARGING METHOD:	NiMh Charger with Trickle Charge
MAX. CHARGE VOLTAGE [V]:	1.32 (±50mV)
STANDARD CHARGE CURRENT:	200mA (0.1C), 16 hours
RAPID CHARGE:	1A(0.5C), Approx 2 hours
TRICKLE CHARGE:	0.03C - 0.05C
REC. DISCHARGE CUT OFF:	2.0 Volts (1.0V/cell)
INTERNAL IMPEDANCE:	≤30mΩ (upon fully charged)
EXP. CYCLE LIFE:	≥500 cycles > 70% of initial capacity

**3. AMBIENT CONDITIONS**

TEMPERATURE RANGE:	
CHARGE:	0 to +45°C (standard); 10 to +45°C (rapid)
DISCHARGE:	-20 TO +60°C
CHARGE RETENTION/STORAGE [%]:	Within 1 year at -20 to +20°C at 30% state of charge, max humidity 85% Within 6 months at -20 TO +35°C at 30% state of charge, max humidity 85% Within 1 month at -20 To +45°C at 30% state of charge, max humidity 85%
HUMIDITY:	65 ±20%RH

**4.ENVIRONMENTAL AND SAFETY**

PLEASE FOLLOW GlobTek, Inc. HANDLING AND SAFETY PRECAUTIONS FOR Lilon & LiPolymer.

**5. CELL REGULATORY APPROVALS:**

UL:	Not Applicable
-----	----------------

**6. BATTERY PACK APPROVALS:**

RoHS:	COMPLIES WITH EU 2002/95/EC AND CHINA SJ/T 11363-2006
CE Mark:	COMPLIES WITH 2004/108/EC ELECTROMAGNETIC COMPATIBILITY INCLUDING BUT NOT LIMITED TO EN61000-6-1:2007, EN61000-6-3:2007
TRANSPORTATION:	PACK DESIGNED TO MEET un38.3
UL:	Design to meet UL2054, IEC62133



GlobTek, Inc.

[www.globtek.com](http://www.globtek.com)

186 Veterans Drive, Northvale, NJ 07467

Tel. 201-784-1000 Fax 201-784-0111

Drawing Title: NiMh Battery Pack

2.4Volts @ 2000mAh

MODEL NO: AA2000

PART NO: BM2000C1450AA2S1PATP

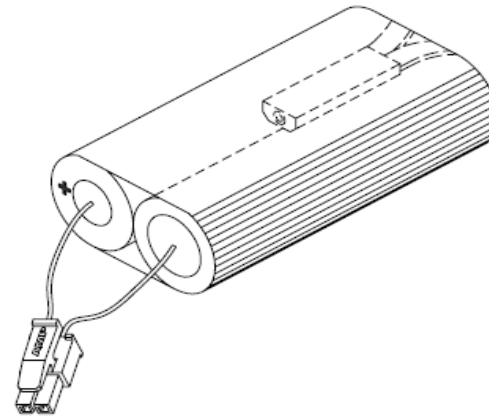
Rev. F

**PROPRIETARY INFORMATION:**

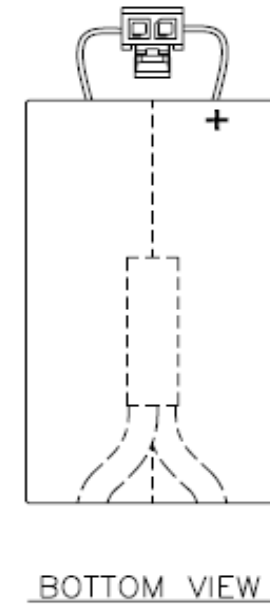
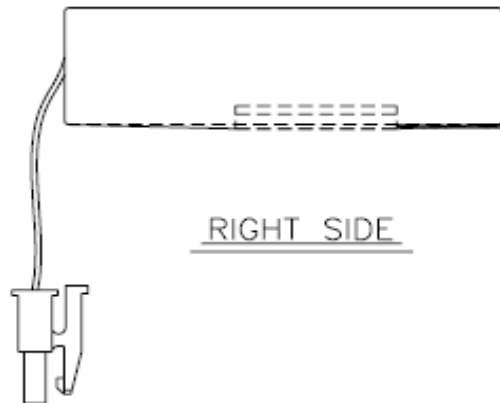
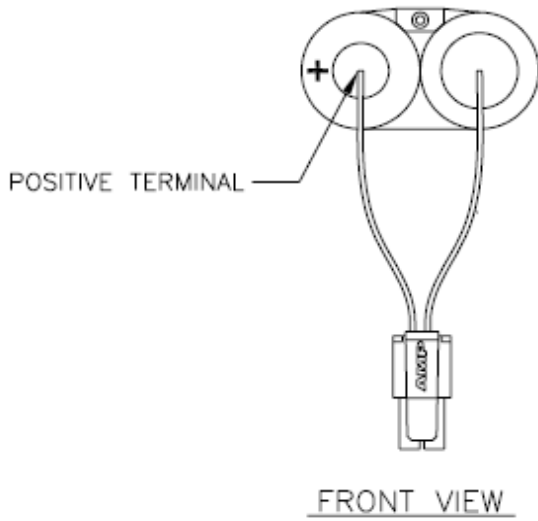
PROPRIETARY OF GLOBTEK, INC. ANY REPRODUCTION, DISCLOSURE OR USE OF THIS DRAWING, IN WHOLE OR IN PART, IS HEREBY PROHIBITED EXCEPT AS SPECIFIED IN WRITING BY GLOBTEK, INC.

**6. MECHANICAL:**

DIMENSIONS:	28.5mm x 51.5mm x 16.5mm
SHRINK WRAP:	Green PVC
WIRE TYPE:	UL1007 20AWG
WIRE LENGTH:	64mm +/- 5.0
WIRE POLARITY (Pin 1) :	RED POSITIVE (+)
WIRE POLARITY(Pin 2):	BLACK NEGATIVE (-)
STRIP LENGTH:	N/A
TIN LENGTH:	N/A
ADDITIONAL REQUIREMENTS:	N/A



**SHRINK WRAP BOTH CELLS & THERMAL PROTECTOR**



[ADDITIONAL OUTPUT PLUG OPTIONS ARE AVAILABLE BY CLICKING THIS LINK.](#)  
[STANDARD PLUGS AND CONNECTORS CAN BE SEEN ONLINE BY CLICKING THIS LINK](#)

GlobTek, Inc.

[www.globtek.com](http://www.globtek.com)

186 Veterans Drive, Northvale, NJ 07467

Tel. 201-784-1000 Fax 201-784-0111

Drawing Title: NiMH Battery Pack

2.4Volts @ 2000mAh

MODEL NO: AA2000

PART NO: BM2000C1450AA2S1PATP

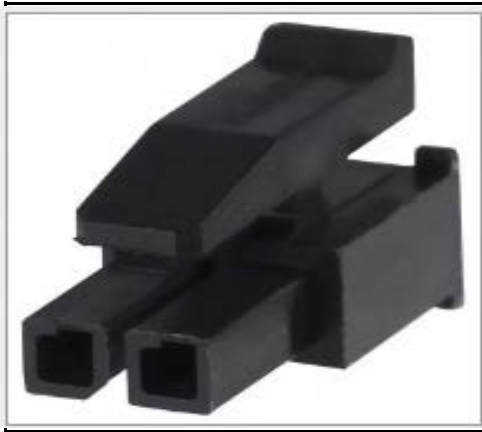
Rev. F

**PROPRIETARY INFORMATION:**

PROPRIETARY OF GLOBTEK, INC. ANY REPRODUCTION, DISCLOSURE OR USE OF THIS DRAWING, IN WHOLE OR IN PART, IS HEREBY PROHIBITED EXCEPT AS SPECIFIED IN WRITING BY GLOBTEK, INC.

**7. OUTPUT CONNECTOR:**

ACTUAL CONNECTOR'S, OVERMOLDS, MAY VARY SLIGHTLY FROM THE PICTURE BELOW



	EQUIVALENT	Y / N	
PLUG TYPE		Y	Tyco/Amp 1445022-2
CRIMP TERMINALS (Quantity 2)		Y	Tyco/Amp 1-794608-0
POLARITY (Pin 1)			Red (+)
POLARITY (Pin 2)			Black (-)
ADDITIONAL REQUIREMENTS			N/A





[ADDITIONAL OUTPUT PLUG OPTIONS ARE AVAILABLE BY CLICKING THIS LINK.](#)  
[STANDARD PLUGS AND CONNECTORS CAN BE SEEN ONLINE BY CLICKING THIS LINK](#)

**PROPRIETARY INFORMATION:**

PROPRIETARY OF GLOBTEK, INC. ANY REPRODUCTION, DISCLOSURE OR USE OF THIS DRAWING, IN WHOLE OR IN PART, IS HEREBY PROHIBITED EXCEPT AS SPECIFIED IN WRITING BY GLOBTEK, INC.

**8. LABEL:**

MATERIAL:	TBD
BACKGROUND COLOR:	WHITE
TEXT COLOR:	BLACK
LABEL WIDTH: (mm)	TBD
LABEL HEIGHT: (mm)	TBD
ADDITIONAL REQUIREMENTS:	N/A

 <b>GlobTek, Inc.</b> www.globtek.com	  
CAUTION: DO NOT DISASSEMBLE DO NOT SHORT CIRCUIT DISPOSE OF PROPERLY	PRECAUCION: NO DESMONTAR NO CORTOCIRCUITA RECOGIDA SELECTIVA
<b>MADE IN CHINA</b> <b>WWYY 2HRLR 15/50</b> Pin 1: Red (+) Pin 2: Black (-)	

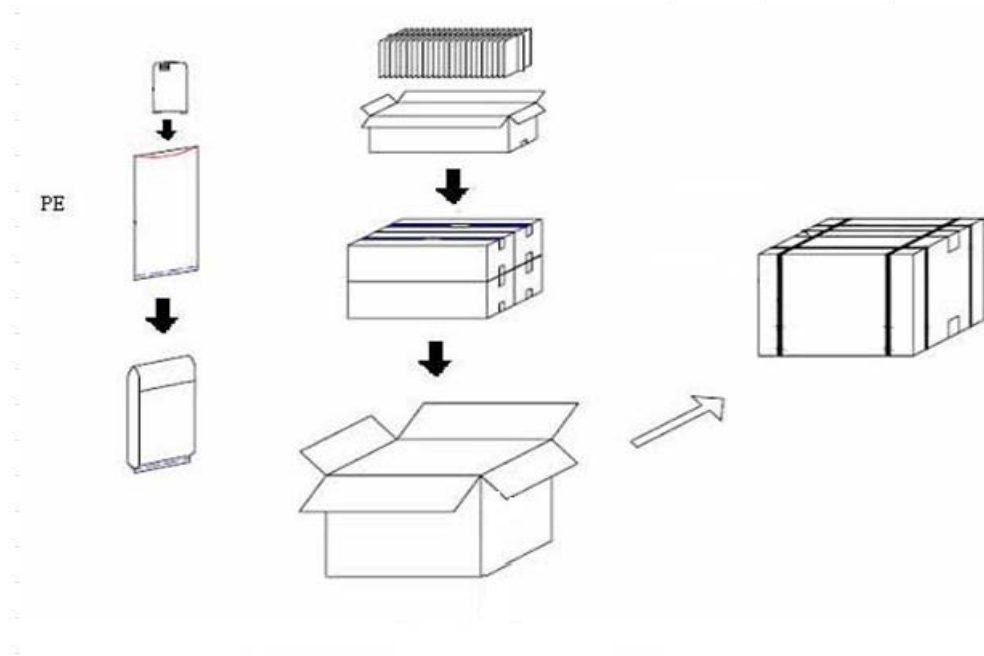
↓  
 WW – week  
 YY - year

**PROPRIETARY INFORMATION:**

PROPRIETARY OF GLOBTEK, INC. ANY REPRODUCTION, DISCLOSURE OR USE OF THIS DRAWING, IN WHOLE OR IN PART, IS HEREBY PROHIBITED EXCEPT AS SPECIFIED IN WRITING BY GLOBTEK, INC.

**9. PACKAGING:**

PE BAG SIZE	TBD
CARTON SIZE:	TBD
QUANTITY PER CARTON:	TBD
G.W.	TBD



GlobTek, Inc.

[www.globtek.com](http://www.globtek.com)

186 Veterans Drive, Northvale, NJ 07467

Tel. 201-784-1000 Fax 201-784-0111

Drawing Title: NiMh Battery Pack

2.4Volts @ 2000mAh

MODEL NO: AA2000

PART NO: BM2000C1450AA2S1PATP

Rev. F