

**PROPRIETARY INFORMATION:**

PROPRIETARY OF GLOBTEK, INC. ANY REPRODUCTION, DISCLOSURE OR USE OF THIS DRAWING, IN WHOLE OR IN PART, IS HEREBY PROHIBITED EXCEPT AS SPECIFIED IN WRITING BY GLOBTEK, INC.

**REVISION HISTORY**

REV	DESCRIPTION	SALES	RFS	DATE	APPROVED
A	Initial Release	SV	27071	2/6/2018	DR
A1	Update format	DR	27551	7/13/2020	DR
A2	Add keying plug in connector, update NTC to 100KΩ Tolerance +/-5%, B=3950K	DR	27570	9/29/2020	DR
A3	Update label	NF	27583	11/9/2020	DR
B	Update General specification: PCM, Polyswith, Charge current, Discharge current, over current detection, Temperature charge,	DR	27596	1/14/2021	DR
	Update Mechanical drawing, change Pin3 color to Yellow,update Packcgng drawing, update Polyswitch to 5.5A 16V				

See Page 2 for important battery warranty and usage information.

**RELEASED**

**By pudxc at 11:19 am, Jan 21, 2021**

**Foot Note:**

Globtek Inc. will not be liable for the safety and performance of these power supplies if unauthorized access and repair occurs. End user should consult applicable UL, CSA or EN standards for proper installation instruction.

**Limitation of Use:**

Globtek product are not authorized for use as mission critical components in life support hazardous environment, nuclear or aircraft applications without prior written approval from the CEO of Globtek Inc.

Contents of this document are subject to change without prior notice

 GlobTek, Inc.

[www.globtek.com](http://www.globtek.com)

186 Veterans Drive, Northvale, NJ 07467

Tel. 201-784-1000 Fax 201-784-0111

Drawing Title: Li-Ion Battery

3.7 Volts@ 7800mAh

Model No.: 18650

Part No: BL7800C1865001S3PRVC

Rev. B

**PROPRIETARY INFORMATION:**

PROPRIETARY OF GLOBTEK, INC. ANY REPRODUCTION, DISCLOSURE OR USE OF THIS DRAWING, IN WHOLE OR IN PART, IS HEREBY PROHIBITED EXCEPT AS SPECIFIED IN WRITING BY GLOBTEK, INC.

By customer signing or accepting this document, they agree to acknowledge and accept the **Guidelines and cautions, Safety Notes, and Safety Precautions published on GlobTek's website**  
[http://en.globtek.com/safety-cautions.php#.UUD-NRzU\\_I8](http://en.globtek.com/safety-cautions.php#.UUD-NRzU_I8)

GlobTek offers a 5-year warranty on workmanship and electrical components assembly on all new battery pack products excluding the battery cells themselves which are covered by the Manufacturer's original warranty at their published warranty period. Please refer to the manufacturer's manufacturer's warranty policy for cells. For GlobTek brand cells, GlobTek provides a 12-month warranty for Li-Ion batteries. The warranty period is based upon the expectation that the battery will deliver 80% of its initial capacity after 300 cycles at low to moderate power loads. High power loads may cause a battery to reach 80% of initial capacity in less than the 12-month warranty period. Li-Ion batteries will continue to operate below the 80% capacity threshold; however, the capacity (run time) delivered between charges will continue to decrease.

The purchaser of GlobTek battery pack products (Customer) agrees that they are a "Sophisticated user" who understands battery technology and that it is their sole responsibility to determine suitability of the product described for their application and to take precautions for protection against any hazards attendant to the handling and use of the product. GlobTek products are only designed for professional use and integration by companies into their products and may not be used by consumers directly. GlobTek provides batteries and battery packs as a component of an end system.

The acceptance of GlobTek specifications, the information on this page and use of the product(s) described in this or other GlobTek documents indicate that the product was qualified for use (tested and/or sample waiver signed), and the acceptance and binding of the customer to GlobTek terms and conditions, which supersede all other agreements, terms and conditions  
<http://en.globtek.com/terms-and-conditions/>

**Customer Approval of Specification:**

Please approve, sign and send back to GlobTek so we can complete order processing.

A delay in receipt of this form will delay delivery schedule.

Company Name:


Customer P/N:

Quote Number:

Date:

Authorized Representative Name:

Authorized Representative Signature:

 GlobTek® Inc.

[www.globtek.com](http://www.globtek.com)

186 Veterans Drive, Northvale, NJ 07467

Tel. 201-784-1000 Fax 201-784-0111

Drawing Title: Li-Ion Battery

3.7 Volts @ 7800mAh

Model No.: 18650

Part No.: BL7800C1865001S3PRVC

Rev. B

**1. GENERAL SPECIFICATION:**

**BATTERY WITH SAFETY CIRCUIT AND PLASTIC HOUSING**

CELL:	Samsung ICR18650-26J
PCM:	HY2113+NCE2010E
NTC:	100KΩ Tolerance +/-5%, B=3950K
POLYSWITCH	5.5A 16V
CONFIGURATION:	1S3P
WEIGHT:	TBD

**2. ELECTRICAL SPECIFICATION:**

RATED CAPACITY:	7800mAh Typical, 7650(Minimim)
NOMINAL VOLTAGE:	3.7 Volts
WATT-HOUR RATING:	28.86Wh
CHARGING METHOD:	CONSTANT CURRENT + CONSTANT VOLTAGE
MAX. CHARGE VOLTAGE [V]:	4.2 (±0.1V)
CHARGE CURRENT:	0.2C (Standard); 0.5C(Max.)
REC. CHARGE CUT OFF:	.01C or by timer approx. 6.5hours
MAX. CONTINUOUS DISCHARGE CURRENT:	5A
REC. DISCHARGE CUT OFF:	3.0V
INTERNAL IMPEDANCE:	≤130 mΩ
EXP. CYCLE LIFE:	>500 cycles > 80% of initial cap. (Charge 0.2C to 4.2V/Discharge 0.2C to 3.0V)

**CELL PROTECTION:**

OVER CHARGE DETECTION:	4.28±0.025V (Delay 0.15-4.6sec; release voltage 4.08±0.05V)
OVER DISCHARGE DETECTION:	3.0±0.1V (Delay 36-290mSec; charging for restart)
OVER CURRENT DETECTION:	11.0-16.0A (Delay 2-5sec.; recovery cut load)

**3. AMBIENT CONDITIONS**

**TEMPERATURE RANGE:**

CHARGE:	0 to +45°C
DISCHARGE:	-20 to +60°C
CHARGE RETENTION/STORAGE [%]:	≤1 year at -20 to +25°C >80% ≤3 months at -20 to +40°C >80% 1 week at -20 to +65°C >80%
HUMIDITY:	60 ±25%RH

**4. ENVIRONMENTAL AND SAFETY**

PLEASE FOLLOW GlobTek, Inc. HANDLING AND SAFETY PRECAUTIONS FOR Lilon & LiPolymer.

**5. CELL REGULATORY APPROVALS:**

UL:	Certified to IEC62133
-----	-----------------------

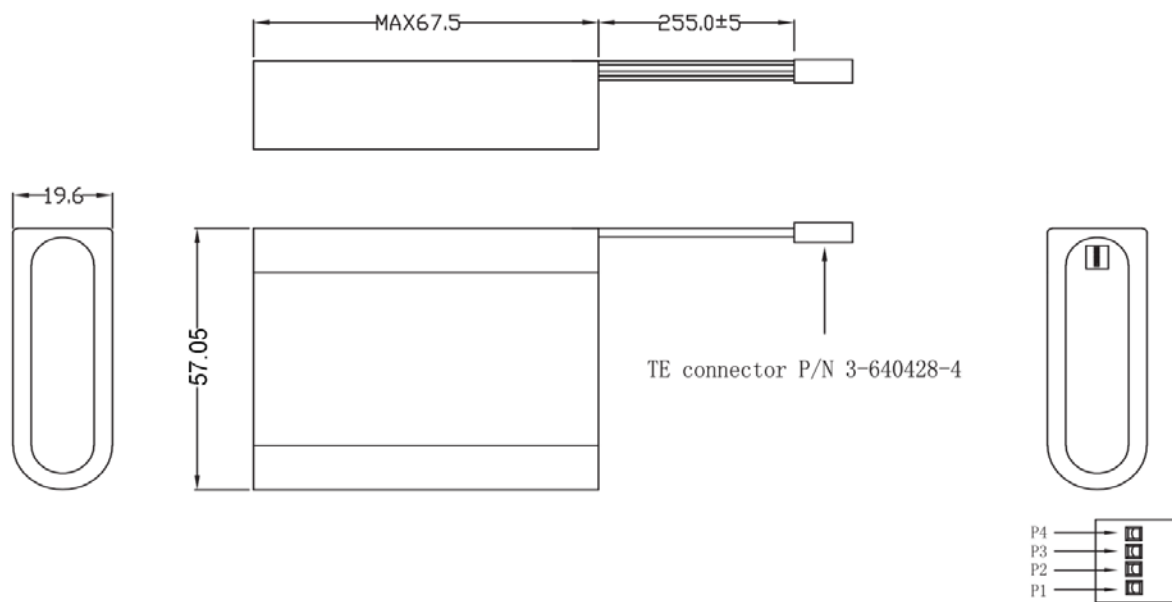
**6. BATTERY PACK APPROVALS:**

RoHS:	COMPLIES WITH EU 2002/95/EC AND CHINA SJ/T 11363-2006
CE Mark:	COMPLIES WITH 2004/108/EC ELECTROMAGNETIC COMPATIBILITY INCLUDING BUT NOT LIMITED TO EN61000-6-1:2007, EN61000-6-3:2007
TRANSPORTATION:	PACK DESIGNED TO MEET un38.3
UL:	Design to meet UL2054, IEC62133



**7. MECHANICAL:**

DIMENSIONS:	19.6mm x 57.05mm x 67.5mm (Max.)
SHRINK WRAP:	BLUE PVC
WIRE TYPE:	UL3173 22 AWG
WIRE LENGTH:	255mm +/- 5mm
WIRE POLARITY:(Pin 1)	Positive (+) Red
WIRE POLARITY:(Pin 2)	N/C
WIRE POLARITY: (Pin 3)	NTC (100k) Yellow
WIRE POLARITY: (Pin 4)	Negative (-) Black
ADDITIONAL REQUIREMENTS:	N/A



P1:PIN 1 (Red) Positive(+)  
 P2:PIN 2 Keying Plug  
 P3:PIN 3 (Yellow) 100k NTC  
 P4:PIN 4 (Black) Negative(-)

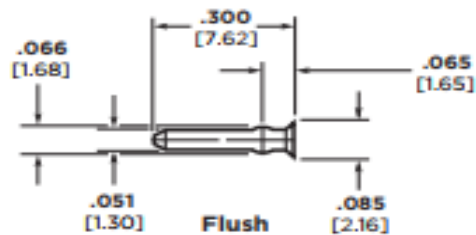
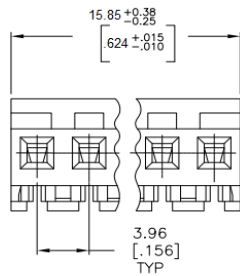
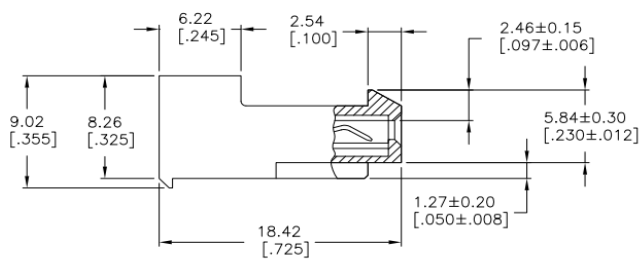
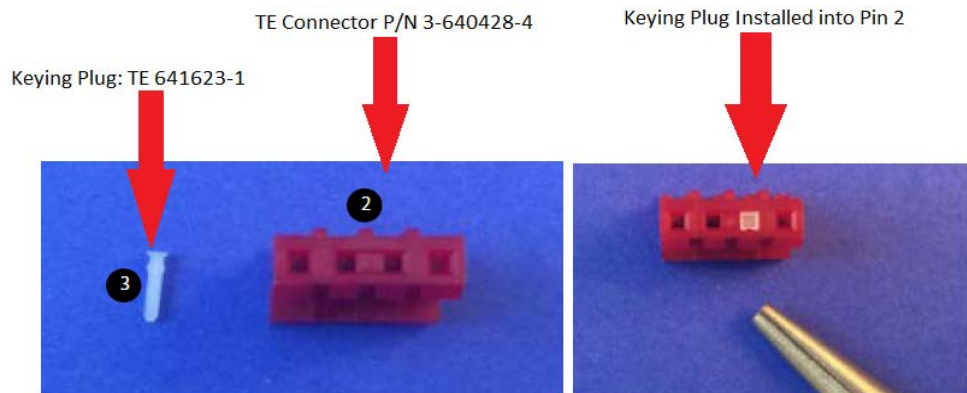
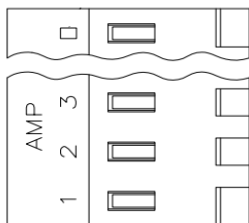
[ADDITIONAL OUTPUT PLUG OPTIONS ARE AVAILABLE BY CLICKING THIS LINK.](#)  
[STANDARD PLUGS AND CONNECTORS CAN BE SEEN ONLINE BY CLICKING THIS LINK](#)

**8. OUTPUT CONNECTOR:**

ACTUAL CONNECTOR'S, OVERMOLDS, MAY VARY SLIGHTLY FROM THE PICTURE BELOW



	EQUIVALENT	Y / N	
PLUG TYPE		N	TE P/N 3-640428-4
CONNECTORS KEYING PLUG		N	TE P/N 640629
POLARITY:			
PIN 1 (Red)			Positive(+)
PIN 2			Keying Plug
PIN 3 (Yellow)			100k NTC
PIN 4 (Black)			Negative(-)



**9. LABEL:**

MATERIAL:	SEE BELOW
BACKGROUND COLOR:	WHITE
TEXT COLOR:	BLACK
LABEL WIDTH: (mm)	45+0/-0.2
LABEL HEIGHT: (mm)	18+0/-0.2
ADDITIONAL REQUIREMENTS:	N/A



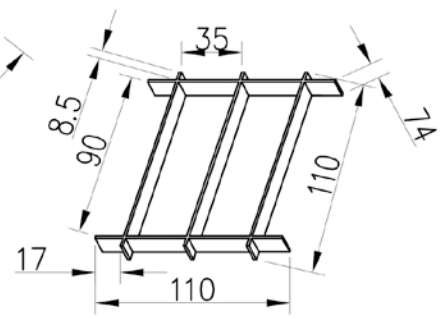
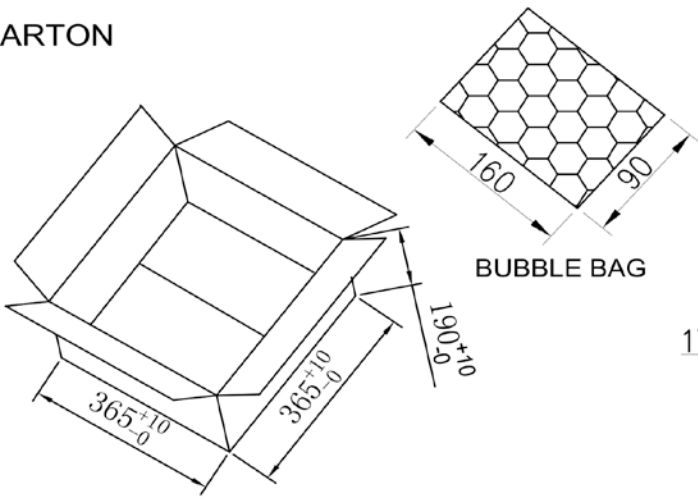
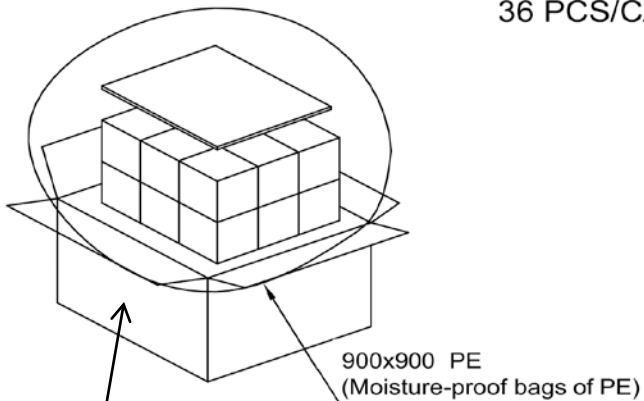
MATERIAL: .007(0.18) THICK FLAT THERMAL TRANSFER, IMPRINTABLE, WHITE POLYESTER SHEET WITH BLACK NOMENCLATURE. LABEL IS GLAZE AND ATTACHED ON PLASTIC CASE.  
 MANUFACTURER: STEVEN LABEL, MATERIAL I.D. NO.3302-33, UL FILE NO.MH12821(N)UL MATERIAL DESIGNATION FILE NO.GHW332RL. OPTIONAL LABEL MATERIAL CAN BE SUBSTITUTED PROVIDING MATERIAL IS UL LISTED AND COMPLIES WITH APPLICABLE SAFETY REQUIREMENTS.

GlobTek, Inc. <a href="http://www.globtek.com">www.globtek.com</a> 186 Veterans Drive, Northvale, NJ 07467 Tel. 201-784-1000 Fax 201-784-0111	Drawing Title: Li-Ion Battery 3.7 Volts@ 7800mAh	
	Model No.: 18650 Part No: BL7800C1865001S3PRVC	
		Rev. B

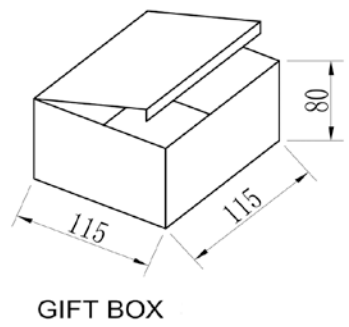
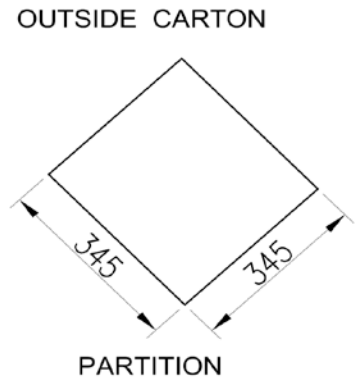
**10. PACKAGING:**

PE BAG SIZE	160*90 mm
CARTON SIZE:	365*365*190 mm
QUANTITY PER CARTON:	36
G.W.	TBD

36 PCS/CARTON



80G coated paper + coating, single-sided adhesive, color printing (standard red)



GlobTek, Inc. <a href="http://www.globtek.com">www.globtek.com</a> 186 Veterans Drive, Northvale, NJ 07467 Tel. 201-784-1000 Fax 201-784-0111	Drawing Title: Li-Ion Battery 3.7 Volts@ 7800mAh
	Model No.: 18650 Part No: BL7800C1865001S3PRVC
	Rev. B