

PROPRIETARY INFORMATION:

PROPRIETARY OF GLOBTEK, INC. ANY REPRODUCTION, DISCLOSURE OR USE OF THIS DRAWING, IN WHOLE OR IN PART, IS HEREBY PROHIBITED EXCEPT AS SPECIFIED IN WRITING BY GLOBTEK, INC.

REVISION HISTORY

REV	DESCRIPTION	SALES	RFS	DATE	APPROVED
A	INITIAL RELEASE	BS	24124	1/28/2013	HM
B	CLARIFY O/P WIRE AND CHANGE O/P WIRE FROM 18AWG TO 20AWG	BS	24437	3/13/2013	HM
C	Add CYPROMED logo to the label	DH	25165	8/26/2013	HM
D	Add CYPROMED P/N to the label	DH	25226	10/3/2013	HM
E	UPDATE MECHANICAL DIMENSIONS	DH	25954	6/11/2015	HM
F	Add detail information of the label material, add customer's website on the label	DH	27257	1/22/2019	MK
G	Change wire type from 2*20AWG TO 2*18AWG	DH	27334	5/10/2019	MK
	Add picture of actual output cord				
	Clarify Cord has a cable jacket and not 2 individual leads				
	Clarify Length of cable jacket out of Battery Pack is 200 mm.				
	Show customer requirement of cable jacket lays across topside of PC Board				
	Show overall cable length is 235 mm.				
	Add photo cordset finishing				
	Clarify lead color				
H	Update label material to UL approved for indoor and outdoor use, add 2D matrix code with encoded date code and add IEC code to the label, update approvals	DH	27407	8/2/2019	MK
I	INTERNAL IMPEDANCE: $\leq 70m\Omega$ change to $\leq 180m\Omega$, OVER CURRENT DETECTION: 3.2A to 4.2 A change to 4.0A to 6.5A	MK	27665	9/3/2021	MK
	Add Caution packing label, add detail for the 2D code on the label				
J	Add note regarding date code	DH	27687	12/7/2021	MK


Foot Note:

Globtek Inc. will not be liable for the safety and performance of these power supplies if unauthorized access and repair occurs. End user should consult applicable UL, CSA or EN standards for proper installation instruction.

Limitation of Use:

Globtek product are not authorized for use as mission critical components in life support hazardous environment, nuclear or aircraft applications without prior written approval from the CEO of Globtek Inc.

Contents of this document are subject to change without prior notice

 GlobTek, Inc. www.globtek.com 186 Veterans Drive, Northvale, NJ 07467 Tel. 201-784-1000 Fax 201-784-0111	Drawing Title: Li-Ion PRISMATIC BATTERY PACK	
	3.7 VOLTS @ 2200 mAh	
	MODEL NO: 603450	
	PART NO: BL2200F6034501S2PZML	REV J

PROPRIETARY INFORMATION:

PROPRIETARY OF GLOBTEK, INC. ANY REPRODUCTION, DISCLOSURE OR USE OF THIS DRAWING, IN WHOLE OR IN PART, IS HEREBY PROHIBITED EXCEPT AS SPECIFIED IN WRITING BY GLOBTEK, INC.

By customer signing or accepting this document, they agree to acknowledge and accept the **Guidelines and cautions, Safety Notes, and Safety Precautions published on GlobTek's website** http://en.globtek.com/safety-cautions.php#.UUD-NRzU_18

Customer Approval of Specification:

Please approve, sign and send back to GlobTek so we can complete order processing.

A delay in receipt of this form will delay delivery schedule.

Company Name:

Customer P/N:

Quote Number:

Date:

Authorized Representative Name:

Authorized Representative Signature:

GlobTek offers a 5-year warranty on workmanship and electrical components assembly on all new battery pack products excluding the battery cells themselves which are covered by the Manufacturer's original warranty at their published warranty period. Please refer to the manufacturer's manufacturer's warranty policy for cells. For GlobTek brand cells, GlobTek provides a 12-month warranty for Li-Ion batteries. The warranty period is based upon the expectation that the battery will deliver 80% of its initial capacity after 300 cycles at low to moderate power loads. High power loads may cause a battery to reach 80% of initial capacity in less than the 12-month warranty period. Li-Ion batteries will continue to operate below the 80% capacity threshold; however, the capacity (run time) delivered between charges will continue to decrease.

The purchaser of this product (Customer) agrees that it is their sole responsibility to determine suitability of the product described for their application and to take precautions for protection against any hazards attendant to the handling and use of the product.

Products sold are not returnable. GlobTek, Inc. will produce or provide its products to our published specifications.

The purchaser of this product (Customer) shall be solely responsible for determining the products' fitness for use in their applications.

Foot Note:

Globtek Inc. will not be liable for the safety and performance of these power supplies if unauthorized access and repair occurs. End user should consult applicable UL, CSA or EN standards for proper installation instruction.

Limitation of Use:

Globtek product are not authorized for use as mission critical components in life support hazardous environment, nuclear or aircraft applications without prior written approval from the CEO of Globtek Inc.

Contents of this document are subject to change without prior notice

 GlobTek®, Inc.
www.globtek.com

186 Veterans Drive, Northvale, NJ 07467
Tel. 201-784-1000 Fax 201-784-0111

Drawing Title: Li-Ion PRISMATIC BATTERY PACK

3.7 VOLTS @ 2200 mAh

MODEL NO: 603450

PART NO: BL2200F6034501S2PZML

REV J

PROPRIETARY INFORMATION:

PROPRIETARY OF GLOBTEK, INC. ANY REPRODUCTION, DISCLOSURE OR USE OF THIS DRAWING, IN WHOLE OR IN PART, IS HEREBY PROHIBITED EXCEPT AS SPECIFIED IN WRITING BY GLOBTEK, INC.

1.GENERAL SPECIFICATION:

BATTERY WITH SAFETY CIRCUIT AND PLASTIC HOUSING

CELL:	603450
PCM:	GLOBTEK STANDARD
NTC:	N/A
ID:	N/A
CONFIGURATION:	1S2P
WEIGHT:	APPROX. 15.5 G

2.ELECTRICAL SPECIFICATION:

RATED CAPACITY:	2000 mAh MIN, 2200mAh TYPICAL
NOMINAL VOLTAGE:	3.7
WATT-HOUR RATING:	8.14WH
CHARGING METHOD:	CONSTANT CURRENT + CONSTANT VOLTAGE
MAX. CHARGE VOLTAGE [V]:	4.20 (±50mV)
CHARGE CURRENT:	0.5C TYPICAL / 1.0C MAXIMUM
REC. CHARGE CUT OFF:	BY CURRENT 50mA OR TIMER 4H
MAX. CONTINUOUS DISCHARGE CURRENT:	IC
REC. DISCHARGE CUT OFF:	3V
INTERNAL IMPEDANCE:	≤180 mΩ
EXP. CYCLE LIFE:	>500 CYCLES > 70% OF INITIAL CAP. (0,5C/0,5C)
CELL PROTECTION:	
OVER CHARGE DETECTION:	4.3 ±0.02V (0.8 TO 1.2 SEC. DELAY, RESUME 4.1 ±0.03V)
OVER DISCHARGE DETECTION:	2.40 ±0.035V (76,8 to 115msec. DELAY, RESUME REMOVE LOAD & CHARGING CURRENT)
OVER CURRENT DETECTION:	4.0A to 6.5 A (9.6 to 14.4 msec. DELAY)

3. AMBIENT CONDITIONS

TEMPERATURE RANGE:	
CHARGE:	0 TO +45°C
DISCHARGE:	-20 TO +60°C
CHARGE RETENTION/STORAGE [%]:	1 YEAR AT -20 TO +20°C >80% 3 MONTHS AT -20 TO +45°C >80% 1 MONTH AT -20 To +60°C >80%
HUMIDITY:	65 ±20%RH

4.ENVIORMENTAL AND SAFETY

PLEASE FOLLOW GlobTek, Inc. HANDLING AND SAFETY PRECAUTIONS FOR Lilon & LiPolymer.

5. CELL REGULATORY APPROVALS:

UL:	CELL APPROVED TO UL 1642
5 BATTERY PACK APPROVALS:	
RoHS:	COMPLIES WITH EU 2002/95/EC AND CHINA SJ/T 11363-2006
CE Mark:	COMPLIES WITH 2004/108/EC ELECTROMAGNETIC COMPATIBILITY INCLUDING BUT NOT LIMITED TO EN61000-6-1:2007, EN61000-6-3:2007
TRANSPORTATION:	APPROVED UN38.3
CB:	APPROVED TO IEC 62133-2:2017



GlobTek, Inc.
www.globtek.com
 186 Veterans Drive, Northvale, NJ 07467
 Tel. 201-784-1000 Fax 201-784-0111

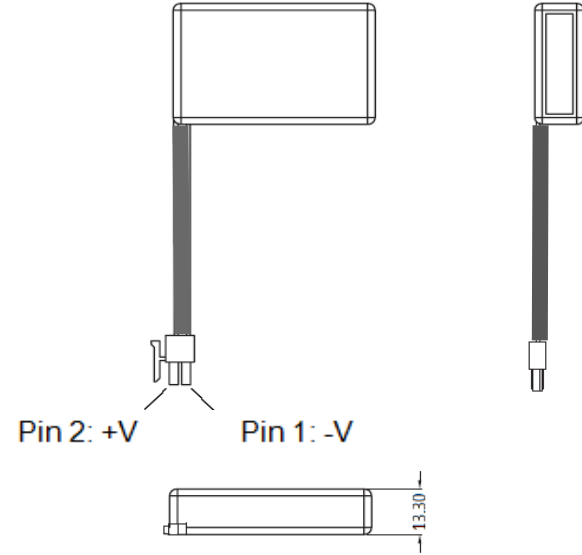
Drawing Title: Li-Ion PRISMATIC BATTERY PACK
 3.7 VOLTS @ 2200 mAh
 MODEL NO: 603450
 PART NO: BL2200F6034501S2PZML
 SHEET 3 of 8 | REV J

PROPRIETARY INFORMATION:

PROPRIETARY OF GLOBTEK, INC. ANY REPRODUCTION, DISCLOSURE OR USE OF THIS DRAWING, IN WHOLE OR IN PART, IS HEREBY PROHIBITED EXCEPT AS SPECIFIED IN WRITING BY GLOBTEK, INC.

6. MECHANICAL:

DIMENSIONS:	56.00 x 35.00 x 13.3 mm (Max.)
SHRINK WRAP:	BLUE PVC
WIRE TYPE:	2 x 18AWG, WITH ROUND SILICON
	RUBBER OVERALL JACKET (ANY COLOR).
	EXAMPLE CABLE TYPE H05SS-F FOR
	REFERENCE ONLY.
WIRE LENGTH:	200 mm +/- 5.0
WIRE POLARITY:	BLUE POSITIVE (+)
WIRE POLARITY:	BROWN NEGATIVE (-)
STRIP LENGTH:	SEE TERMINALS NEXT PAGE
TIN LENGTH:	N/A
ADDITIONAL REQUIREMENTS:	SEE TERMINALS NEXT PAGE



⚠ CABLE JACKET AND STRAIN RELIEF OVERMOLD NOT SHOWN (SEE PAGE 6)

⚠ WIRES MUST EXIT FROM SIDE OF BATTERY PACK

⚠ PCM MUST BE LOCATED ON TOP OF PACK



Customer Requirement:
Cable jacket lays across top of PC Assembly

[ADDITIONAL OUTPUT PLUG OPTIONS ARE AVAILABLE BY CLICKING THIS LINK.](#)
[STANDARD PLUGS AND CONNECTORS CAN BE SEEN ONLINE BY CLICKING THIS LINK](#)

GlobTek, Inc.

www.globtek.com

186 Veterans Drive, Northvale, NJ 07467

Tel. 201-784-1000 Fax 201-784-0111

Drawing Title: Li-Ion PRISMATIC BATTERY PACK

3.7 VOLTS @ 2200 mAh

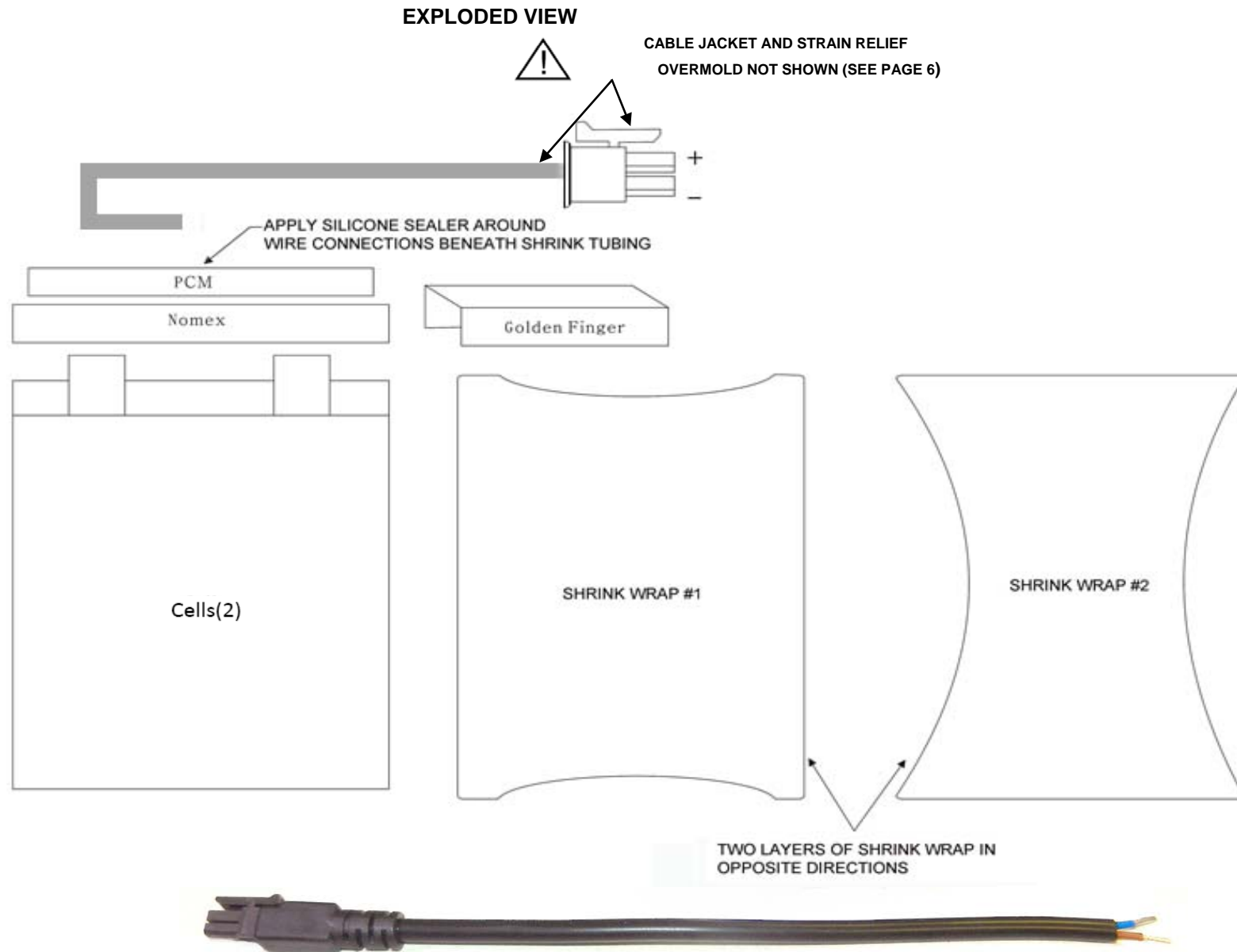
MODEL NO: 603450

PART NO: BL2200F6034501S2PZML

REV J

PROPRIETARY INFORMATION:

PROPRIETARY OF GLOBTEK, INC. ANY REPRODUCTION, DISCLOSURE OR USE OF THIS DRAWING, IN WHOLE OR IN PART, IS HEREBY PROHIBITED EXCEPT AS SPECIFIED IN WRITING BY GLOBTEK, INC.



 GlobTek®, Inc.
www.globtek.com

186 Veterans Drive, Northvale, NJ 07467
Tel. 201-784-1000 Fax 201-784-0111

Drawing Title: Li-Ion PRISMATIC BATTERY PACK

3.7 VOLTS @ 2200 mAh

MODEL NO: 603440

PART NO: BL2200F6034501S1PPML

REV J

PROPRIETARY INFORMATION:

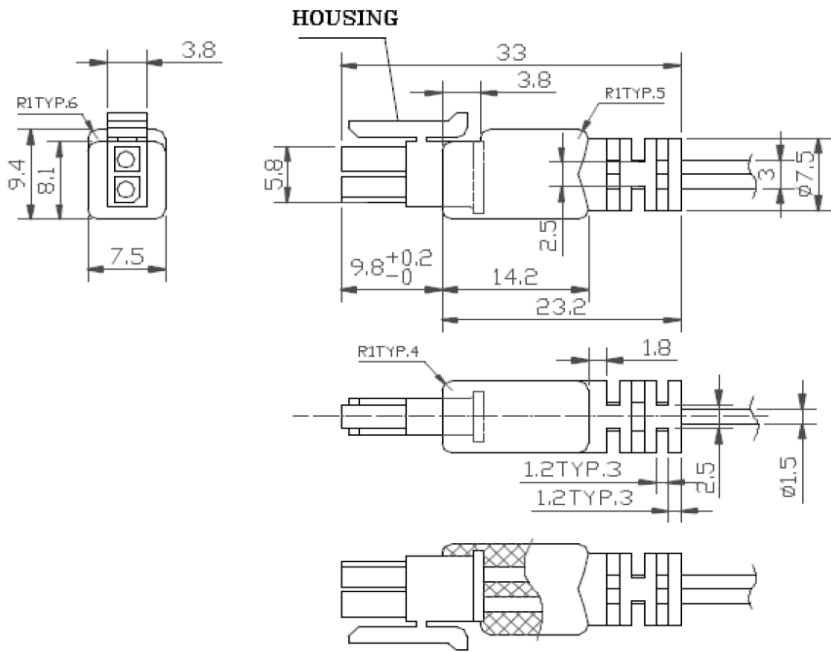
PROPRIETARY OF GLOBTEK, INC. ANY REPRODUCTION, DISCLOSURE OR USE OF THIS DRAWING, IN WHOLE OR IN PART, IS HEREBY PROHIBITED EXCEPT AS SPECIFIED IN WRITING BY GLOBTEK, INC.

7. OUTPUT CONNECTOR:

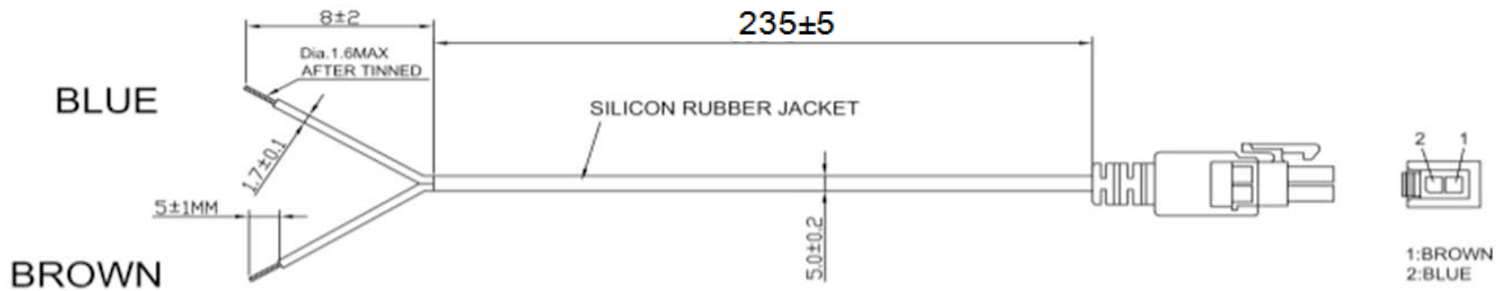
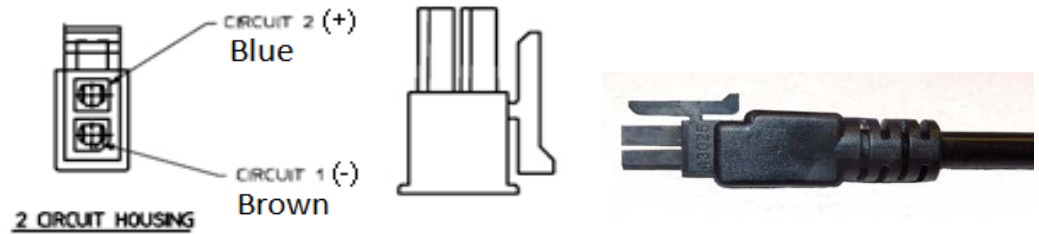
ACTUAL CONNECTOR'S, OVERMOLDS, MAY VARY SLIGHTLY FROM THE PICTURE BELOW



**MOLEX CONNECTOR MUST BE USED
(NO EQUIVALENT)**



	EQUIVALENT	Y / N
PLUG TYPE		N
		MOLEX 43025-0200, 2 POS WITH OVERMOLD
CONTACTS		N
PIN 1		BROWN (-V)
PIN 2		BLUE (+V)
ADDITIONAL REQUIREMENTS		N/A



GlobTek, Inc.

www.globtek.com

186 Veterans Drive, Northvale, NJ 07467

Tel. 201-784-1000 Fax 201-784-0111

Drawing Title: Li-Ion PRISMATIC BATTERY PACK

3.7 VOLTS @ 2200 mAh

MODEL NO: 603450

PART NO: BL2200F6034501S2PZML

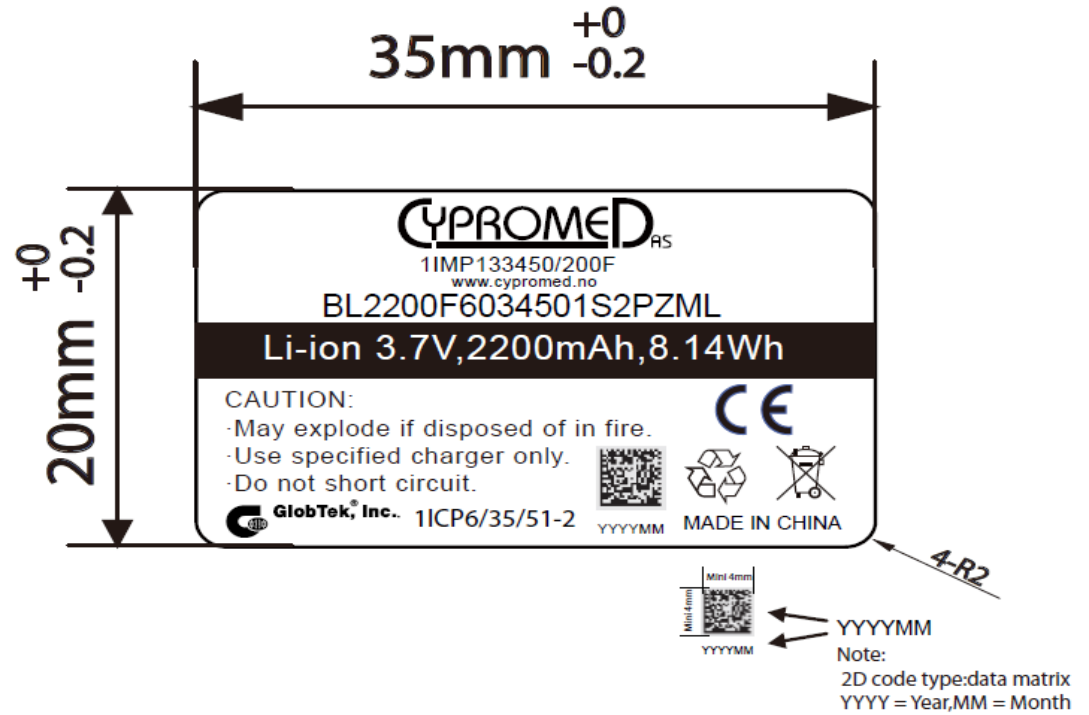
REV J

PROPRIETARY INFORMATION:

PROPRIETARY OF GLOBTEK, INC. ANY REPRODUCTION, DISCLOSURE OR USE OF THIS DRAWING, IN WHOLE OR IN PART, IS HEREBY PROHIBITED EXCEPT AS SPECIFIED IN WRITING BY GLOBTEK, INC.

8. LABEL:

MATERIAL:	SEE BELOW
BACKGROUND COLOR:	WHITE OR SILVER
TEXT COLOR:	BLACK
LABEL WIDTH: (mm)	35
LABEL HEIGHT: (mm)	20
ADDITIONAL REQUIREMENTS:	N/A



MATERIAL: .007(0.18) THICK FLAT THERMAL TRANSFER, IMPRINTABLE, WHITE OR GRAY POLYESTER SHEET WITH BLACK NOMENCLATURE

NOTE:

- Label material is UL approved and rated for indoor and outdoor use.
- Label manufacturer name: Suzhou Hairong Packing Products Co., Ltd.
- Material ID Number: 50# matte white PET+ film
- UL file number: MH48692
- UL material designation file number: HR-05
- Each Lot / Job entire quantity to contain the same date code on all the labels. (1 date code only)
- No two Lots / Jobs can have the same date code

GlobTek, Inc. www.globtek.com	Drawing Title: Li-Ion PRISMATIC BATTERY PACK	
	3.7 VOLTS @ 2200 mAh	
186 Veterans Drive, Northvale, NJ 07467 Tel. 201-784-1000 Fax 201-784-0111	MODEL NO: 603450	
	PART NO: BL2200F6034501S2PZML	REV J

PROPRIETARY INFORMATION:

PROPRIETARY OF GLOBTEK, INC. ANY REPRODUCTION, DISCLOSURE OR USE OF THIS DRAWING, IN WHOLE OR IN PART, IS HEREBY PROHIBITED EXCEPT AS SPECIFIED IN WRITING BY GLOBTEK, INC.

9. PACKAGING:

PE BAG SIZE	TBD
CARTON SIZE:	TBD
QUANTITY PER CARTON:	TBD
G.W.	TBD

