

**PROPRIETARY INFORMATION:**

PROPRIETARY OF GLOBTEK, INC. ANY REPRODUCTION, DISCLOSURE OR USE OF THIS DRAWING, IN WHOLE OR IN PART, IS HEREBY PROHIBITED EXCEPT AS SPECIFIED IN WRITING BY GLOBTEK, INC.

**REVISION HISTORY**

REV	DESCRIPTION	SALES	RFS	DATE	APPROVED
A	INITIAL RELEASE	JS	22797	4/16/2012	HM

Customer Approval of Specification:

Please approve, sign and send back to GlobTek so we can complete order processing.

A delay in receipt of this form will delay delivery schedule.

Company Name:

Customer P/N:

Quote Number:

Date:

Authorized Representative Name:

Authorized Representative Signature:


**Foot Note:**

Globtek Inc. will not be liable for the safety and performance of these power supplies if unauthorized access and repair occurs. End user should consult applicable UL, CSA or EN standards for proper installation instruction.

**Limitation of Use:**

Globtek product are not authorized for use as mission critical components in life support hazardous environment, nuclear or aircraft applications without prior written approval from the CEO of Globtek Inc.

Contents of this document are subject to change without prior notice

 <b>GlobTek, Inc.</b> <a href="http://www.globtek.com">www.globtek.com</a> 186 Veterans Drive, Northvale, NJ 07467 Tel. 201-784-1000 Fax 201-784-0111	Drawing Title: Li-Ion PRISMATIC BATTERY PACK 3.7 VOLTS @ 900 mAh
	MODEL NO: 613048 PART NO: BL0900F0630481S1PCJB
	REV A

**PROPRIETARY INFORMATION:**

PROPRIETARY OF GLOBTEK, INC. ANY REPRODUCTION, DISCLOSURE OR USE OF THIS DRAWING, IN WHOLE OR IN PART, IS HEREBY PROHIBITED EXCEPT AS SPECIFIED IN WRITING BY GLOBTEK, INC.

**1.GENERAL SPECIFICATION:**

**BATTERY WITH SAFETY CIRCUIT AND PLASTIC HOUSING**

CELL:	613048
PCM:	GLOBTEK STANDARD
NTC:	N/A
ID:	N/A
CONFIGURATION:	1S1P
WEIGHT:	APROX 22 G

**2.ELECTRICAL SPECIFICATION:**

RATED CAPACITY:	850 mAh MIN, 900 mAh TYPICAL
NOMINAL VOLTAGE:	3.7
WATT-HOUR RATING:	3.3 WH
CHARGING METHOD:	CONSTANT CURRENT + CONSTANT VOLTAGE
MAX. CHARGE VOLTAGE [V]:	4.20 (±50mV)
CHARGE CURRENT:	0.2C <sub>5</sub>
REC. CHARGE CUT OFF:	BY CURRENT 50mA OR TIMER 4H
MAX. CONTINUOUS DISCHARGE CURRENT:	IC
REC. DISCHARGE CUT OFF:	3V
INTERNAL IMPEDANCE:	≤70 mΩ
EXP. CYCLE LIFE:	>500 CYCLES > 70% OF INITIAL CAP. (0,5C/0,5C)
CELL PROTECTION:	
OVER CHARGE DETECTION:	4.3 ±0.02V (0.8 TO 1.2 SEC. DELAY, RESUME 4.1 ±0.03V)
OVER DISCHARGE DETECTION:	2.40 ±0.035V (76,8 to 115msec. DELAY, RESUME REMOVE LOAD & CHARGING CURRENT)
OVER CURRENT DETECTION:	3.2A to 4.2 A (9.6 to 14.4 msec. DELAY)

**3. AMBIENT CONDITIONS**

TEMPERATURE RANGE:	
CHARGE:	0 TO +45°C
DISCHARGE:	-20 TO +60°C
CHARGE RETENTION/STORAGE [%]:	1 YEAR AT -20 TO +20°C >80% 3 MONTHS AT -20 TO +45°C >80% 1 MONTH AT -20 To +60°C >80%
HUMIDITY:	65 ±20%RH

**4.ENVIRONMENTAL AND SAFETY**

PLEASE FOLLOW GlobTek, Inc. HANDLING AND SAFETY PRECAUTIONS FOR Lilon & LiPolymer.

**5. CELL REGULATORY APPROVALS:**

UL:	CELL APPROVED TO UL 1642
<b>5 BATTERY PACK APPROVALS:</b>	
RoHS:	COMPLIES WITH EU 2002/95/EC AND CHINA SJ/T 11363-2006
CE Mark:	COMPLIES WITH 2004/108/EC ELECTROMAGNETIC COMPATIBILITY INCLUDING BUT NOT LIMITED TO EN61000-6-1:2007, EN61000-6-3:2007
TRANSPORTATION:	PACK DESIGNED TO MEET un38.3

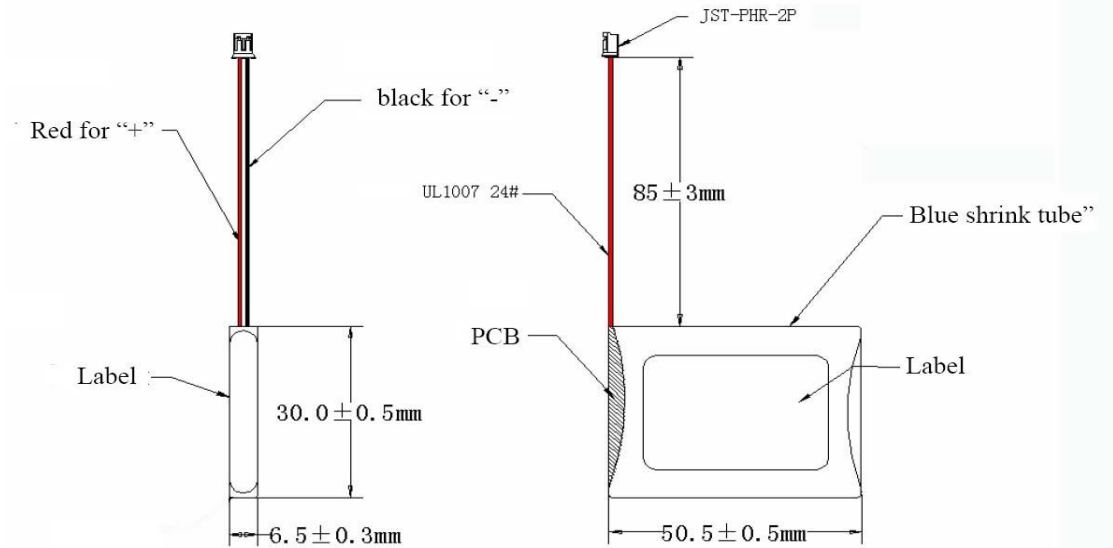


**PROPRIETARY INFORMATION:**

PROPRIETARY OF GLOBTEK, INC. ANY REPRODUCTION, DISCLOSURE OR USE OF THIS DRAWING, IN WHOLE OR IN PART, IS HEREBY PROHIBITED EXCEPT AS SPECIFIED IN WRITING BY GLOBTEK, INC.

**6. MECHANICAL:**

DIMENSIONS:	50.5mm x 30.0mm ( $\pm 0.5$ ) x 6.5mm ( $\pm 0.3$ )
SHRINK WRAP:	BLUE PVC
WIRE TYPE:	UL1007 24AWG
WIRE LENGTH:	85mm +/- 3.0
WIRE POLARITY:	RED POSITIVE (+)
WIRE POLARITY:	BLACK NEGATIVE (-)
STRIP LENGTH:	N/A
TIN LENGTH:	N/A
ADDITIONAL REQUIREMENTS:	N/A



[ADDITIONAL OUTPUT PLUG OPTIONS ARE AVAILABLE BY CLICKING THIS LINK.](#)  
[STANDARD PLUGS AND CONNECTORS CAN BE SEEN ONLINE BY CLICKING THIS LINK](#)

**GlobTek, Inc.**

[www.globtek.com](http://www.globtek.com)

186 Veterans Drive, Northvale, NJ 07467

Tel. 201-784-1000 Fax 201-784-0111

Drawing Title: Li-Ion PRISMATIC BATTERY PACK

3.7 VOLTS @ 900 mAh

MODEL NO: 613048

PART NO: BL0900F0630481S1PCJB

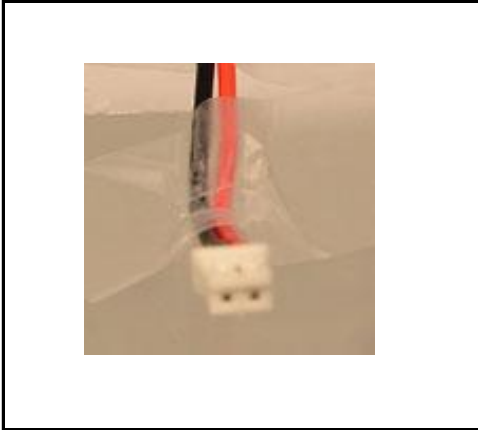
REV A

**PROPRIETARY INFORMATION:**

PROPRIETARY OF GLOBTEK, INC. ANY REPRODUCTION, DISCLOSURE OR USE OF THIS DRAWING, IN WHOLE OR IN PART, IS HEREBY PROHIBITED EXCEPT AS SPECIFIED IN WRITING BY GLOBTEK, INC.

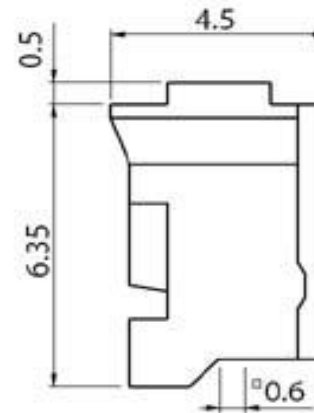
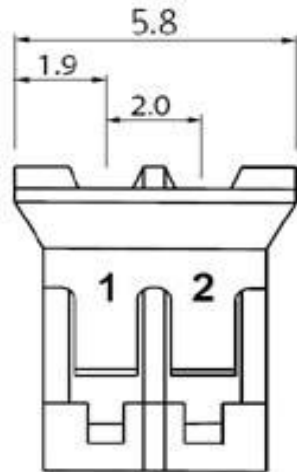
**7. OUTPUT CONNECTOR:**

ACTUAL CONNECTOR'S, OVERMOLDS, MAY VARY SLIGHTLY FROM THE PICTURE BELOW



	EQUIVALENT	Y / N
PLUG TYPE		Y
OVER MOLD ORIENTATION		N/A
PLUG DIMENSIONS		6.4 x 5.8 x 4.5 mm
BARREL PLUG INTERNAL SPRING CLIP		N/A
BARREL PLUG LOCKING NOTCH		N/A
POLARITY		PIN 1:(-)Black, PIN 2: (+)Red
ADDITIONAL REQUIREMENTS		N/A

[ADDITIONAL OUTPUT PLUG OPTIONS ARE AVAILABLE BY CLICKING THIS LINK.](#)  
[STANDARD PLUGS AND CONNECTORS CAN BE SEEN ONLINE BY CLICKING THIS LINK](#)



**PROPRIETARY INFORMATION:**

PROPRIETARY OF GLOBTEK, INC. ANY REPRODUCTION, DISCLOSURE OR USE OF THIS DRAWING, IN WHOLE OR IN PART, IS HEREBY PROHIBITED EXCEPT AS SPECIFIED IN WRITING BY GLOBTEK, INC.

**8. LABEL:**

MATERIAL:	TBD
BACKGROUND COLOR:	WHITE
TEXT COLOR:	BLACK
LABEL WIDTH: (mm)	TBD
LABEL HEIGHT: (mm)	TBD
ADDITIONAL REQUIREMENTS:	N/A

**GlobTek, Inc.**  
**BL0900F0630481S1PCJB**

**Li-ion 3.7V, 900mAh, 3.33Wh**

**CAUTION:**

- May explode if disposed of in fire.
- Use specified charger only.
- Do not short circuit.

CE

♻️ 🗑️

YYYYMM MADE IN CHINA

 **GlobTek, Inc.**

[www.globtek.com](http://www.globtek.com)

186 Veterans Drive, Northvale, NJ 07467

Tel. 201-784-1000 Fax 201-784-0111

Drawing Title: Li-Ion PRISMATIC BATTERY PACK

3.7 VOLTS @ 900 mAh

MODEL NO: 613048

PART NO: BL0900F0630481S1PCJB

REV A

**PROPRIETARY INFORMATION:**

PROPRIETARY OF GLOBTEK, INC. ANY REPRODUCTION, DISCLOSURE OR USE OF THIS DRAWING, IN WHOLE OR IN PART, IS HEREBY PROHIBITED EXCEPT AS SPECIFIED IN WRITING BY GLOBTEK, INC.

**9. PACKAGING:**

PE BAG SIZE	TBD
CARTON SIZE:	TBD
QUANTITY PER CARTON:	TBD
G.W.	TBD

