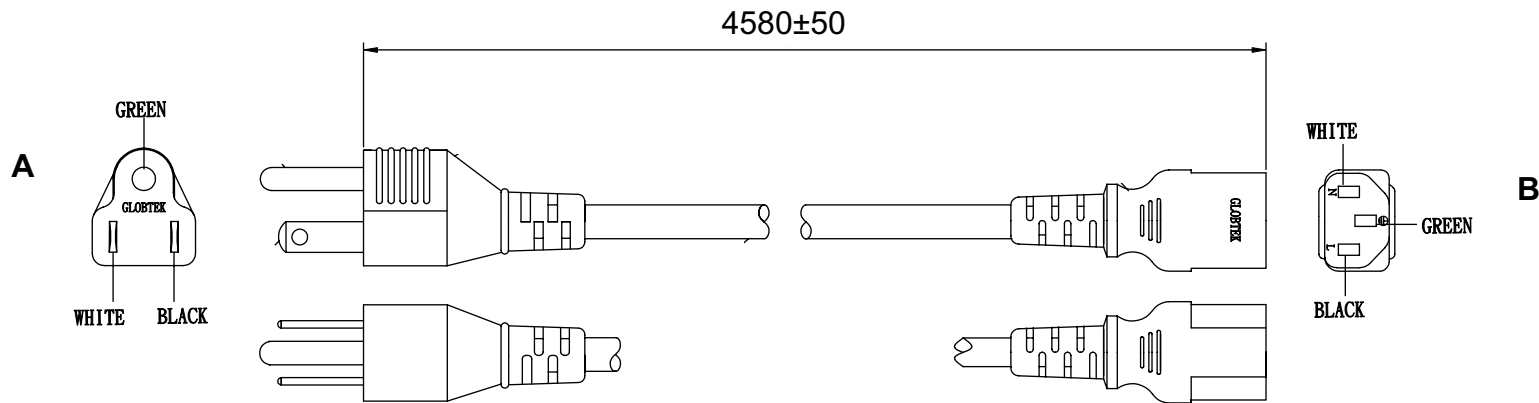


PROPRIETARY INFORMATION:
 PROPRIETARY OF GLOBTEK, INC. ANY REPRODUCTION, DISCLOSURE OR
 USE OF THIS DRAWING, IN WHOLE OR IN PART, IS HEREBY
 PROHIBITED EXCEPT AS SPECIFIED IN WRITING BY GLOBTEK, INC.

REVISION			
REV	DESCRIPTION	DATE	APPROVED
A	INITIAL RELEASE, RFS. 21151, SO	06/23/11	HM
B	UPDATE CABLE FROM 18AWG TO 16AWG, RFS. 24217, SO	02/11/13	HM

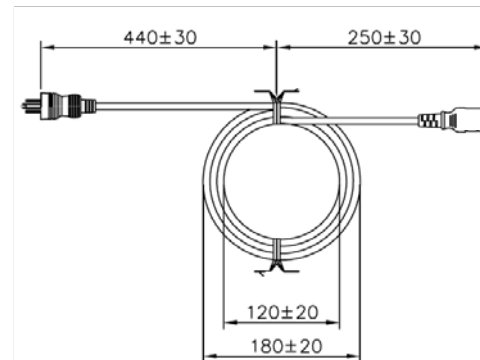


GENERAL SPECIFICATIONS:

- RATING: 10A / 125V AC
- CABLE TYPE / SIZE: SJO, 16 AWG X 3C
- TEMPERATURE RATING: 60° C
- CONDUCTOR COLORS: BLACK / WHITE / GREEN
- CABLE JACKET COLOR: BLACK
- OVERALL LENGTH (L): 4580 ± 50 mm
- CABLE OUTER DIAMETER: 9.0 ± 0.3 mm
- END 'A' TERMINATION: NEMA 5-15P
- END 'B' TERMINATION: IEC 320 / C13
- APPROVALS PLUG: UL, CSA or cUL
- APPROVALS CABLE: UL, CSA or cUL
- APPROVALS CONNECTOR: UL, CSA or cUL

PACKING:

COILING



NOTES:

1. CORD, PLUG AND CONNECTOR MUST BE MARKED WITH APPROVAL SYMBOLS OR FILE NUMBER(S).



OR



DASH NO.	PART NO	REV.	DESCRIPTION	NOTES
TABULATION BLOCK				
			GlobTek, Inc. www.globtek.com 186 Veterans Dr. Northvale, NJ 07647 Tel. 201-784-1000 Fax 201.784.0111	
TOLERANCES: DECIMALS ANGULAR .xx +/- 0.1 +/- 1° .xxx +/- .005		DWG TITLE: NORTH AMERICAN DETACHABLE CORDSET, 15 FEET, NEMA5-15P TO IEC320/C13		
MILLIMETERS ANGULAR .xx +/- 0.3 +/- 1° .xxx +/- .013		FSCN No.: G, CC	SIZE A	MODEL: N / A
INIT.BY: BS	DATE: 06/08/11	PART NO: 30215915F701(R)		REV. B
DRAWN: NF	DATE: 06/08/11	SCALE: NONE		SHEET 1/1
APRVD: HM	DATE: 06/08/11			

Foot Note:
 Globtek Inc. will not be liable for the safety and performance of these power product if unauthorized access and repair occurs. End user should consult the applicable UL, CSA or EN Standards for proper installation instruction.

Limitation of Use:
 Globtek product are not authorized for use as mission critical components in life support, hazardous environment, nuclear or aircraft applications without prior written approval from the CEO of Globtek Inc.

Contents of this document are subject to change without prior notice