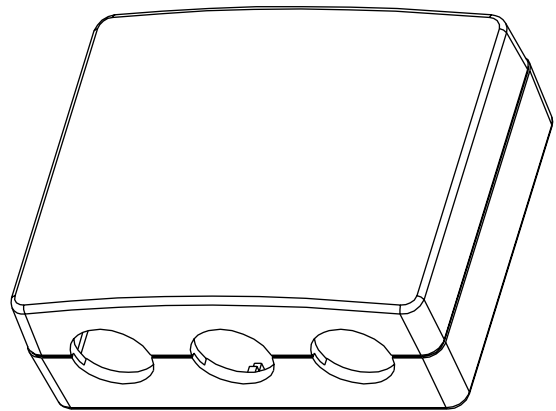
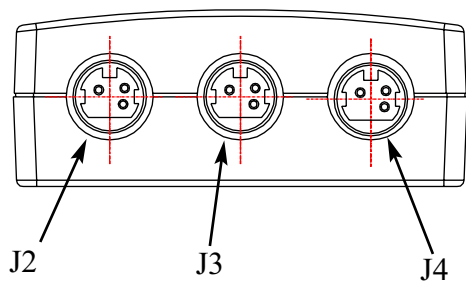
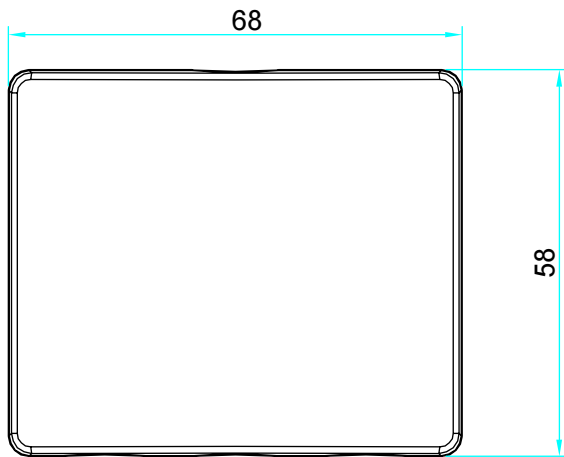
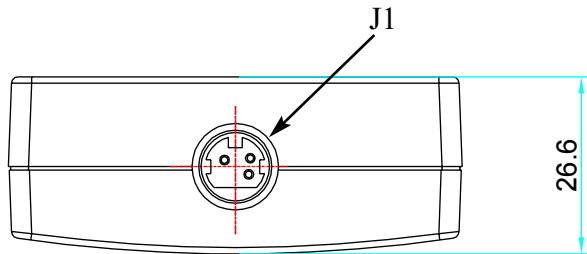



PROPRIETARY INFORMATION: PROPRIETARY OF GLOBTEK, INC. ANY REPRODUCTION, DISCLOSURE OR USE OF THIS DRAWING, IN WHOLE OR IN PART, IS HEREBY PROHIBITED EXCEPT AS SPECIFIED IN WRITING BY GLOBTEK, INC.	REVISION			
	REV	DESCRIPTION	DATE	APPROVED
	A	INITIAL RELEASE, RFS.6937, DMR	08/24/05	DMR

1. Mechanical specifications of Junction Block Housing:
 High Impact Plastic, 94VO Polycarbonate, Non-Vented Color Black



PINOUT

INPUT	OUTPUT		
J1	J2	J3	J4
PIN 1	PIN 1	PIN 1	PIN 1
PIN 2	PIN 2	PIN 2	PIN 2
PIN 3	PIN 3	PIN 3	PIN 3
SHELL	SHELL	SHELL	SHELL

Foot Note: Globtek Inc. will not be liable for the safety and performance of these power supplies if unauthorized access and repair occurs. End user should consult applicable UL, CSA or EN standards for proper installation instructions.	DASH NO.	PART NO	REV.	DESCRIPTION	NOTES	
	TABULATION BLOCK					
	Limitation of Use: Globtek product are not authorized for use as mission critical components in life support, hazardous environment, nuclear or aircraft applications without prior written approval from the CEO of Globtek Inc.		TOLERANCES: DECIMALS ANGULAR .xx +/- 0.1 +/- 1° .xxx +/- .005		 186 Veterans Dr. Northvale, NJ 07647 Tel. 201-784-1000 Fax 201.784.0111 www.globtek.com	
	INIT.BY: DMR	DATE: 08/24/05	MILLIMETERS ANGULAR .xx +/- 0.3 +/- 1° .xxx +/- .013			
DRAWN: NF	DATE: 08/24/05	FSCN No.: G, Y	SIZE A	MODEL NO: N/A	REV. A	
Contents of this document are subject to change without prior notice	APRVD : DMR	DATE: 08/24/05	SCALE: NONE	PART NO: 1KPP-3KPP	SHEET 1 OF 3	

PROPRIETARY INFORMATION:

PROPRIETARY OF GLOBTEK, INC. ANY REPRODUCTION, DISCLOSURE OR USE OF THIS DRAWING, IN WHOLE OR IN PART, IS HEREBY PROHIBITED EXCEPT AS SPECIFIED IN WRITING BY GLOBTEK, INC.

2. INPUT AND OUTPUT CONNECTOR:

KPJ-3S or EQUIVALENT

2.1. Electrical Specifications of each connector:

Contact ratings: Pins 1 and 2 of all connectors 7.5A max @ 20VDC

Pin 3 of all connectors 1.0A max @ 20VDC

Insulation Resistance: 50 Megaohms min. at 250VDC

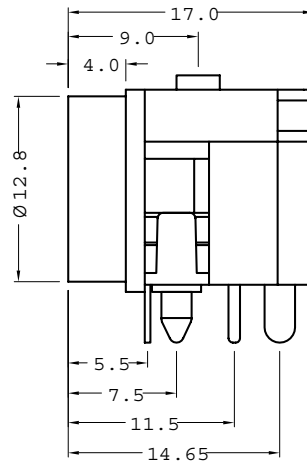
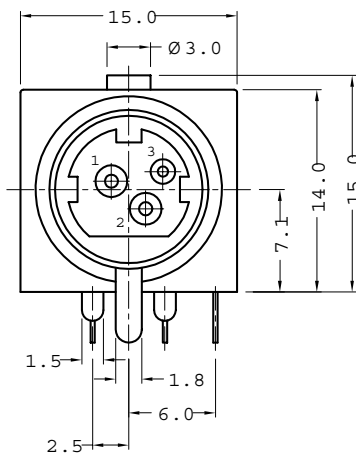
Dielectric Strength: 250VAC rms for 1 minute

Contact Resistance: 50 milliohms max.

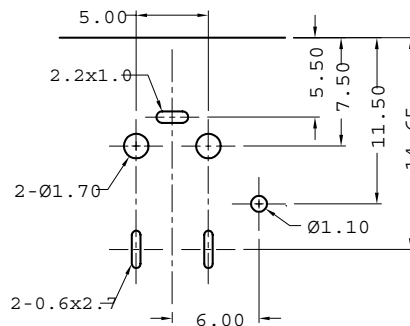
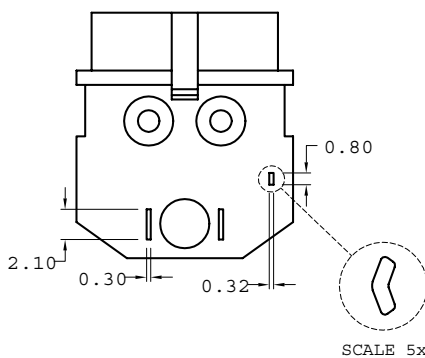
2.2. Material and Finish of each connector:

Inner Shield: Copper alloy, Tin plated

Contacts: Pins 1 and 2 Brass, tin plated Pin 3 Phosphor bronze, tin plated



**Recommended PCB Layout
(Bottom View)**



GlobTek, Inc.
www.globtek.com

186 Veterans Dr. Northvale, NJ 07647
Tel. 201-784-1000 Fax 201.784.0111

DWG TITLE: JUNCTION BLOCK

MODEL NO: N/A

REV. A

PART NO: **1KPP-3KPP**

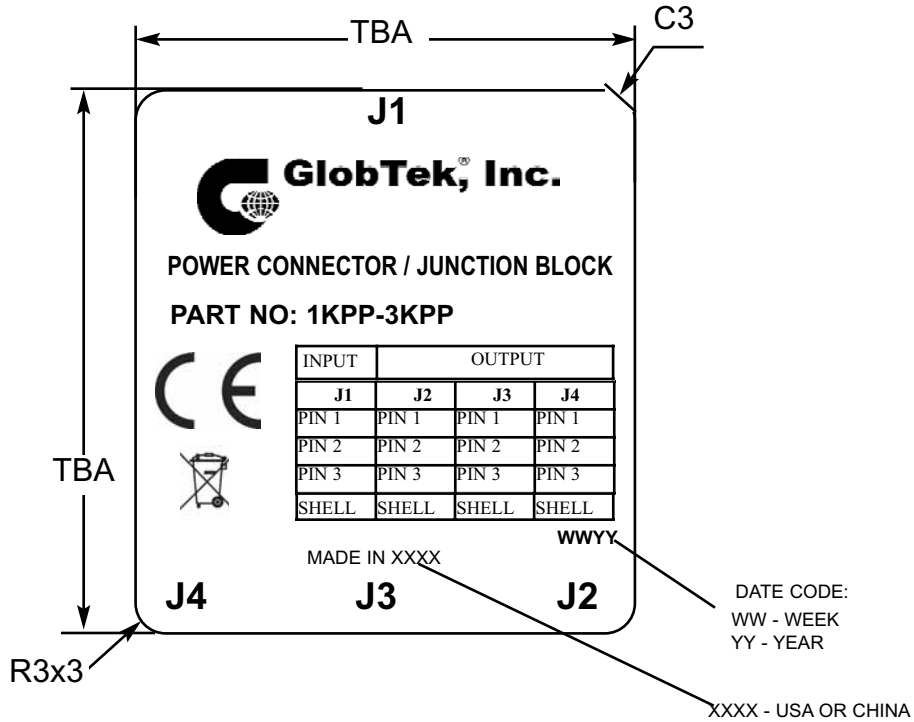
SHEET 2 OF 3

PROPRIETARY INFORMATION:
 PROPRIETARY OF GLOBTEK, INC. ANY REPRODUCTION, DISCLOSURE OR
 USE OF THIS DRAWING, IN WHOLE OR IN PART, IS HEREBY
 PROHIBITED EXCEPT AS SPECIFIED IN WRITING BY GLOBTEK, INC.

4. LABEL:

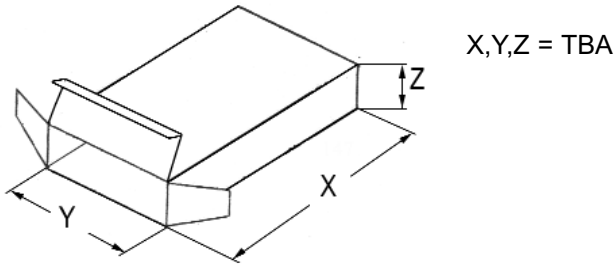
TO BE APPLIED TO BOTTOM OF JUNCTION BLOCK.

MATERIAL: .007 (0.18) THICK FLAT THERMAL TRANSFER, IMPRINTABLE, BLACK POLYESTER SHEET WITH WHITE NOMENCLATURE.



5. INDIVIDUAL PACKING BOX:

MATERIAL: CORRUGATED FIBERBOARD, F-FLUTE 0.8 (2.0) THICK, DOUBLE WALL CONSTRUCTION.
 EXTERNAL FINISH: WHITE, COATED WITH GLOSS FINISH (AQUEOUS OR VARNISH) STYLE: TUCK SIDES WITH
 LOCKING TABS ON BOTH SIDES OF BOX. NO PRINTING ON THE OUTSIDE OF BOX.



GlobTek, Inc. www.globtek.com		186 Veterans Dr. Northvale, NJ 07647 Tel. 201-784-1000 Fax 201.784.0111
DWG TITLE: JUNCTION BLOCK		
MODEL NO: N/A	REV. A	
PART NO: 1KPP-3KPP	SHEET 3 OF 3	