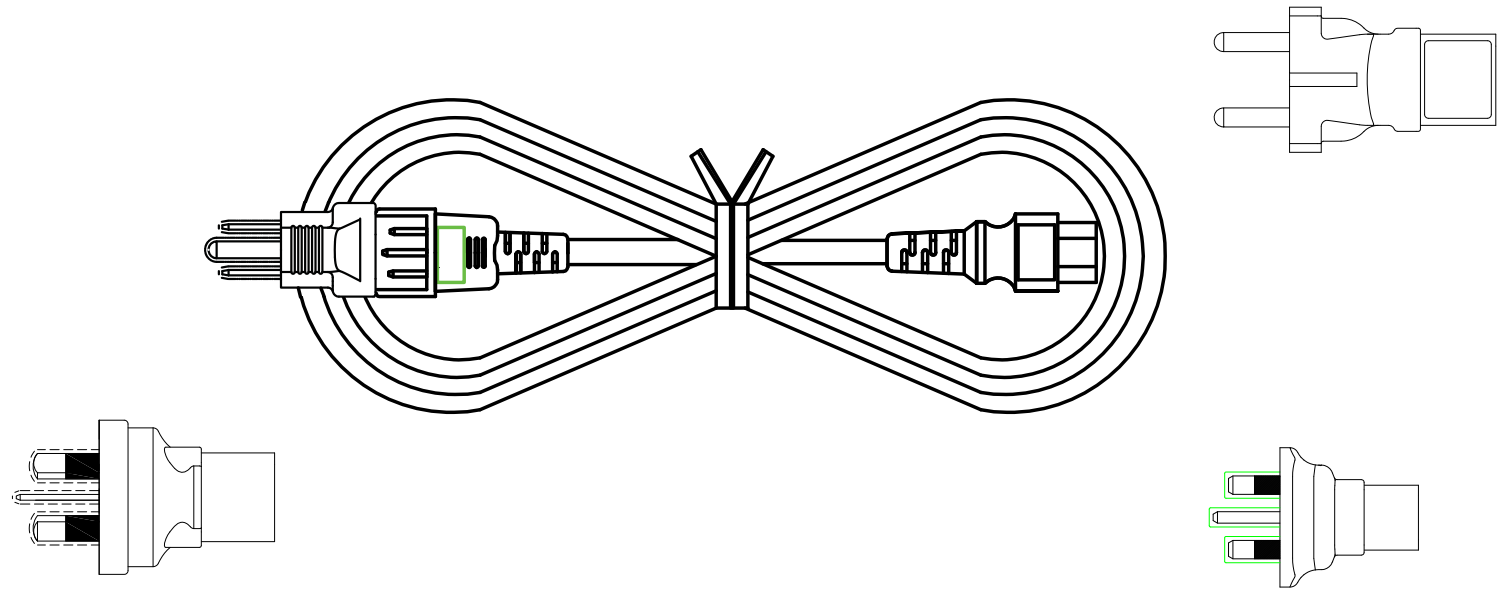


PROPRIETARY INFORMATION:
 PROPRIETARY OF GLOBTEK, INC. ANY REPRODUCTION, DISCLOSURE OR
 USE OF THIS DRAWING, IN WHOLE OR IN PART, IS HEREBY
 PROHIBITED EXCEPT AS SPECIFIED IN WRITING BY GLOBTEK,INC.

REVISION			
REV	DESCRIPTION	DATE	APPROVED
A	INITIAL RELEASE, RFS. 27050, BS	04/04/18	MK



GS-1750 KIT(R) INCLUDING:

- 1. 1 PC CORDSET P/N: 7055002M0712(R) WITH 701-302S(R) INSTALLED ON CORD
 - 2. 1 PC ADAPTOR: 701-302S(R)
 - 3. 1 PC ADAPTOR: 701-2314S(R)
 - 4. 1 PC ADAPTOR: 701-550S(R)
 - 5. 1 PC ADAPTOR: 701-610S(R)
- LOOSE PACK IN BOX WITH POWER SUPPLY AND CABLE

RELEASED
 By N.Frost at 9:20 am, Apr 05, 2018

DASH NO.	PART NO	REV.	DESCRIPTION	NOTES
TABULATION BLOCK				
		TOLERANCES: DECIMALS ANGULAR .xx +/- 0.1 +/- 1° .xxx +/- .005		GlobTek, Inc. www.globtek.com 186 Veterans Dr. Northvale, NJ 07647 Tel. 201-784-1000 Fax 201.784.0111
		MILLIMETERS ANGULAR .xx +/- 0.3 +/- 1° .xxx +/- .013		
INIT.BY: BS	DATE: 04/04/18	DWG TITLE: INTERNATIONAL JUMPER CORDSET WITH 4 PC SET ADAPTOR: 701-302S(R), 701-2314S(R), 701-550S(R), 701-610S(R)		
DRAWN: NF	DATE: 04/04/18	FSCN No.: G, CC	SIZE: A	REV. A
APRVD: MK	DATE: 04/04/18	SCALE: NONE	PART NO: 705-712-KIT(R)	SHEET 1/6

Foot Note:
 Globtek Inc. will not be liable for the safety and performance of these power product if unauthorized access and repair occurs. End user should consult the applicable UL,CSA or EN Standards for proper installation instruction.

Limitation of Use:
 Globtek product are not authorized for use as mission critical components in life support, hazardous environment, nuclear or aircraft applications without prior written approval from the CEO of Globtek Inc.

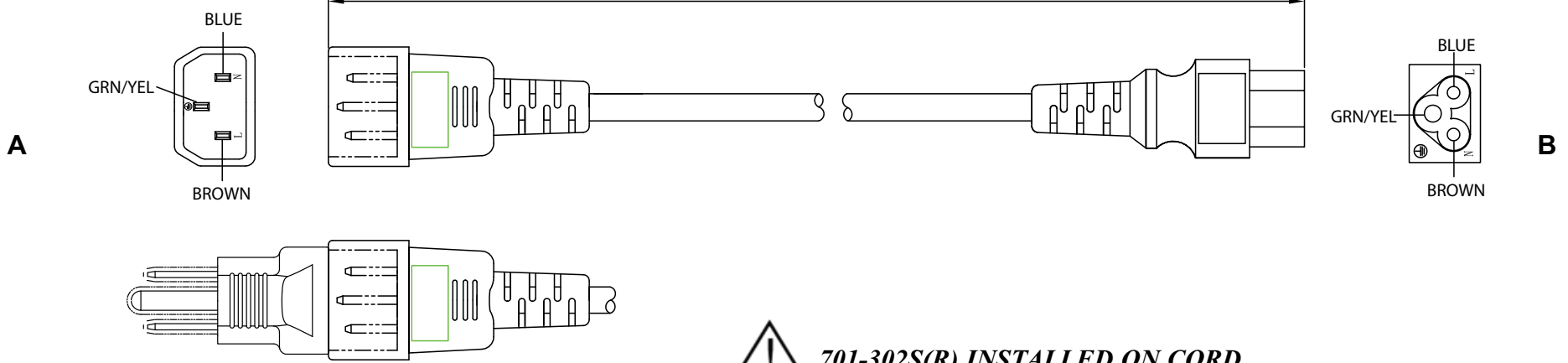
Contents of this document are subject to change without prior notice

PROPRIETARY INFORMATION:

PROPRIETARY OF GLOBTEK, INC. ANY REPRODUCTION, DISCLOSURE OR USE OF THIS DRAWING, IN WHOLE OR IN PART, IS HEREBY PROHIBITED EXCEPT AS SPECIFIED IN WRITING BY GLOBTEK, INC.

CORDSET P/N: 7055002M0712(R)

2000±50

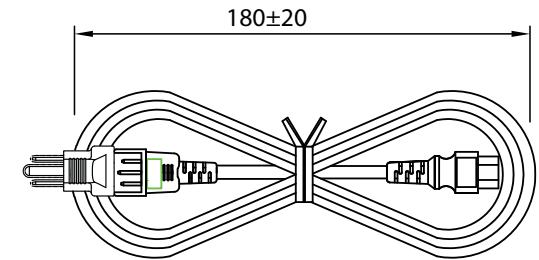


GENERAL SPECIFICATIONS:

- RATING: 10A / 250V AC
- CABLE TYPE / SIZE: SJT AWG 18X3 / H05VV-F 3X1.0 mm²
- TEMPERATURE RATING: 60° C
- CONDUCTOR COLORS: BLUE / BROWN / GREEN-YELLOW
- CABLE JACKET COLOR: BLACK
- OVERALL LENGTH (L): 2000 ± 50 mm
- CABLE OUTER DIAMETER: 8.3 ± 0.2 mm
- END 'A' PLUG: IEC 320 / C14
- END 'B': IEC 320 / C5
- APPROVALS PLUG: cUL, ENEC-10-VDE
- APPROVALS CABLE: cUL, VDE, N, S, D, FI, KEMA, SAA, SEV, CEBC, OVE, IMQ
- APPROVALS CONNECTOR: cUL, ENEC-10-VDE

PACKING:

HANKED



NOTES:

1. CORD MUST BE MARKED WITH APPROVAL SYMBOLS OR FILE NUMBER(S).



2. PLUG AND CONNECTOR MUST BE MARKED WITH APPROVAL SYMBOLS OR FILE NUMBER(S).



3. CABLE IS 3C/18 AWG/SJT AND 3C/1mm²/H05VV-F DUAL APPROVED FOR US AND EUROPE.

GlobTek, Inc.
www.globtek.com

186 Veterans Dr. Northvale, NJ 07647
Tel. 201-784-1000 Fax 201.784.0111

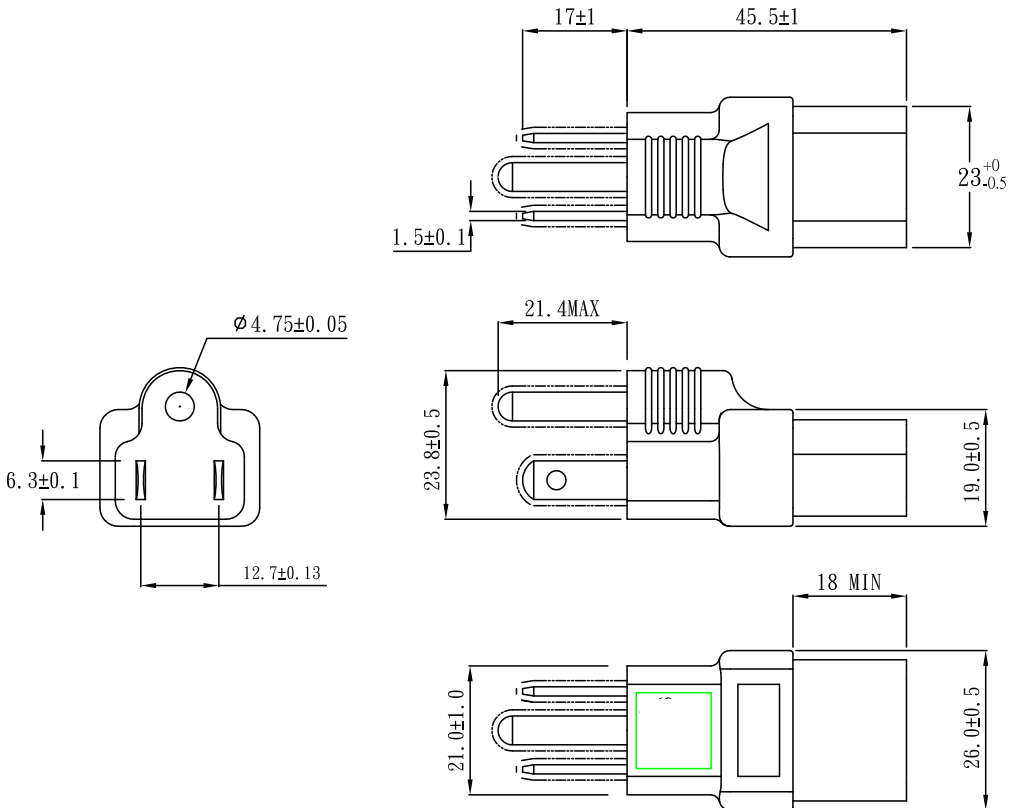
DWG TITLE: INTERNATIONAL JUMPER CORDSET WITH 4 PC SET ADAPTOR:
701-302S(R), 701-2314S(R), 701-550S(R), 701-610S(R)

REV. A

PART NO: 705-712-KIT(R) SHEET 2/6

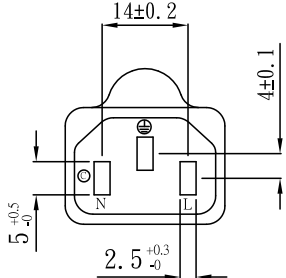
PROPRIETARY INFORMATION:
 PROPRIETARY OF GLOBTEK, INC. ANY REPRODUCTION, DISCLOSURE OR
 USE OF THIS DRAWING, IN WHOLE OR IN PART, IS HEREBY
 PROHIBITED EXCEPT AS SPECIFIED IN WRITING BY GLOBTEK,INC.

Adaptor NEMA 5-15P to IEC 320 C14: 701-302S(R)




Note:

- 1. Rating: 10A 125V
- 2. Insulation Resistance: 100MΩ
- 3. Dielectric Voltage: 2000V/sec



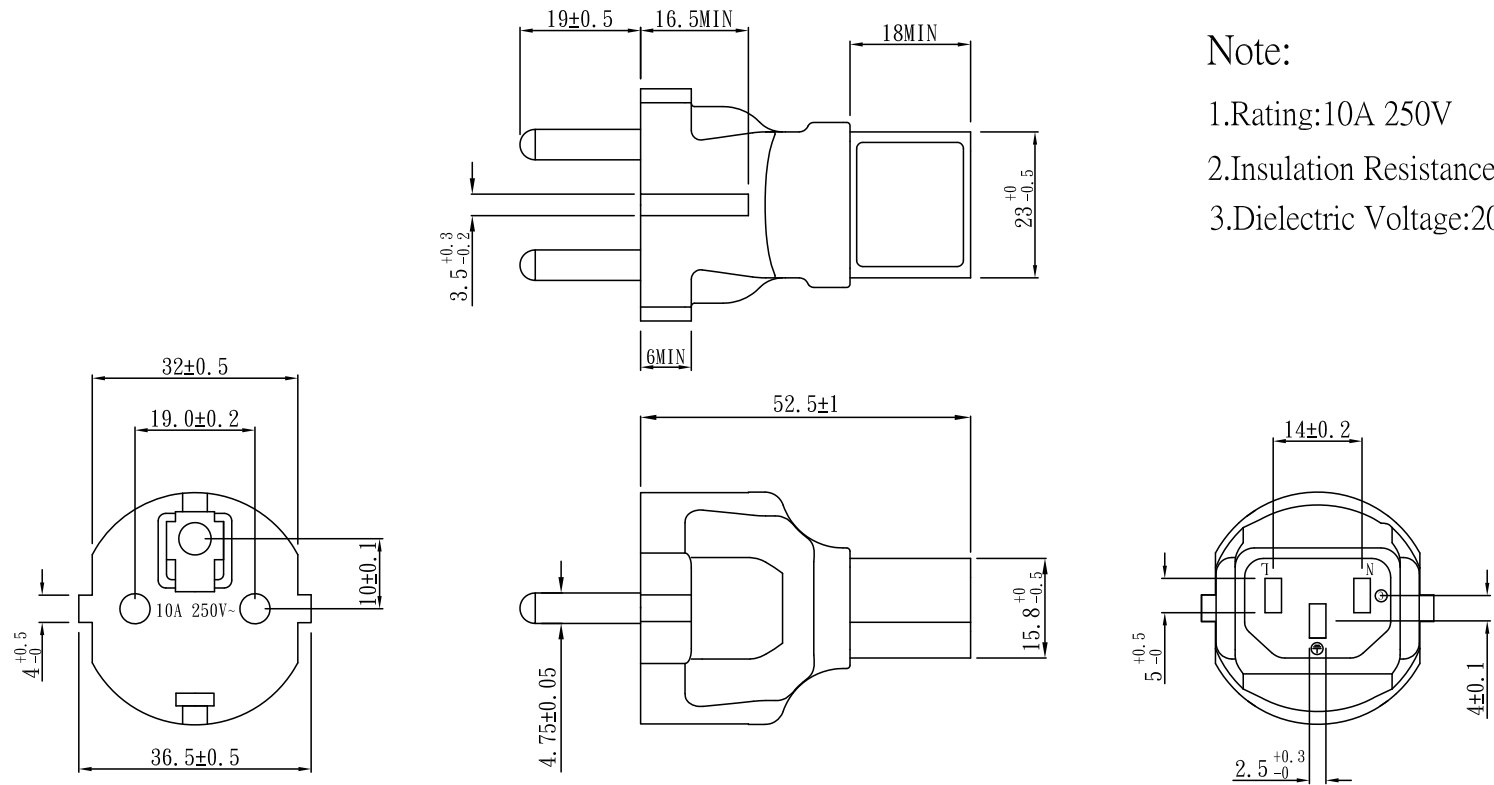
INSTALLED ON 7055002M0701(R)

 GlobTek, Inc. www.globtek.com		186 Veterans Dr. Northvale, NJ 07647 Tel. 201-784-1000 Fax 201.784.0111	
DWG TITLE: INTERNATIONAL JUMPER CORDSET WITH 4 PC SET ADAPTOR: 701-302S(R), 701-2314S(R), 701-550S(R), 701-610S(R)			
			REV. A
PART NO: 705-712-KIT(R)			SHEET 3/6

PROPRIETARY INFORMATION:

PROPRIETARY OF GLOBTEK, INC. ANY REPRODUCTION, DISCLOSURE OR USE OF THIS DRAWING, IN WHOLE OR IN PART, IS HEREBY PROHIBITED EXCEPT AS SPECIFIED IN WRITING BY GLOBTEK, INC.

Adaptor EUROPEAN SCHUKO to IEC 320 C13: 701-2314S(R)



Note:

- 1. Rating: 10A 250V
- 2. Insulation Resistance: 100MΩ
- 3. Dielectric Voltage: 2000V/sec

GlobTek, Inc.
www.globtek.com

186 Veterans Dr. Northvale, NJ 07647
Tel. 201-784-1000 Fax 201.784.0111

DWG TITLE: INTERNATIONAL JUMPER CORDSET WITH 4 PC SET ADAPTOR:
701-302S(R), 701-2314S(R), 701-550S(R), 701-610S(R)

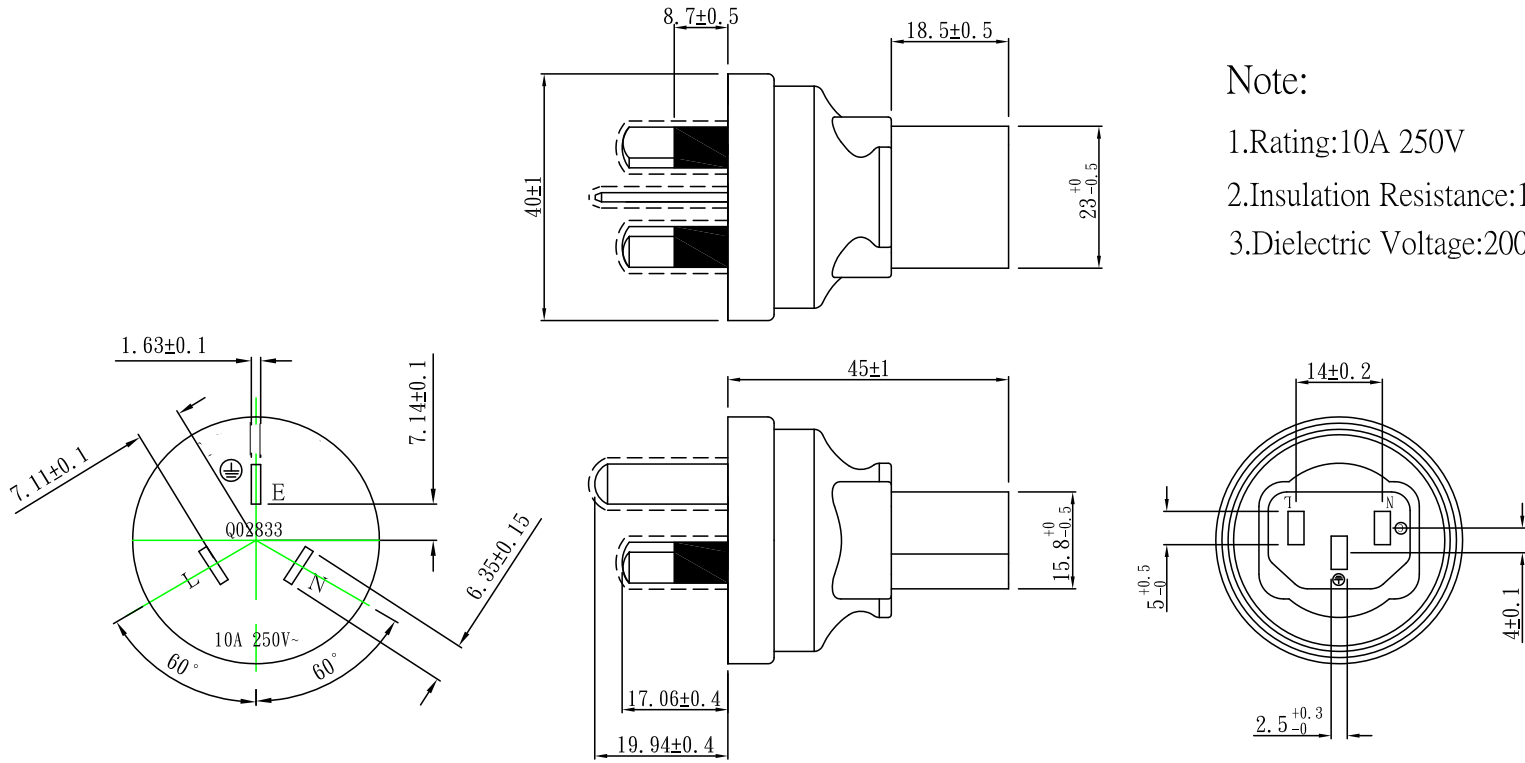
PART NO: 705-712-KIT(R)

REV.
A

SHEET 4/6

PROPRIETARY INFORMATION:
 PROPRIETARY OF GLOBTEK, INC. ANY REPRODUCTION, DISCLOSURE OR
 USE OF THIS DRAWING, IN WHOLE OR IN PART, IS HEREBY
 PROHIBITED EXCEPT AS SPECIFIED IN WRITING BY GLOBTEK, INC.

Adaptor AUSTRALIAN 3 BLADES to IEC 320 C14: 701-550S(R)



Note:

1. Rating: 10A 250V
2. Insulation Resistance: 100MΩ
3. Dielectric Voltage: 2000V/sec

GlobTek, Inc.
 www.globtek.com

186 Veterans Dr. Northvale, NJ 07647
 Tel. 201-784-1000 Fax 201.784.0111

DWG TITLE: INTERNATIONAL JUMPER CORDSET WITH 4 PC SET ADAPTOR:
 701-302S(R), 701-2314S(R), 701-550S(R), 701-610S(R)

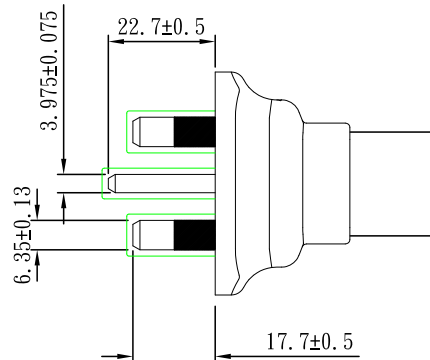
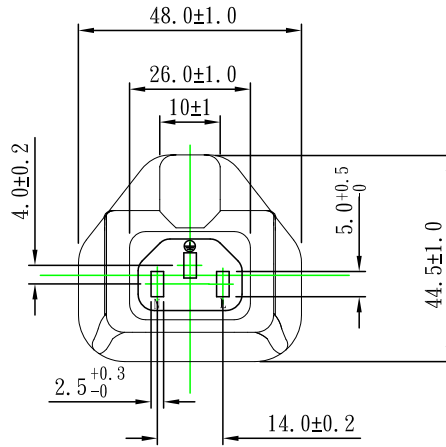
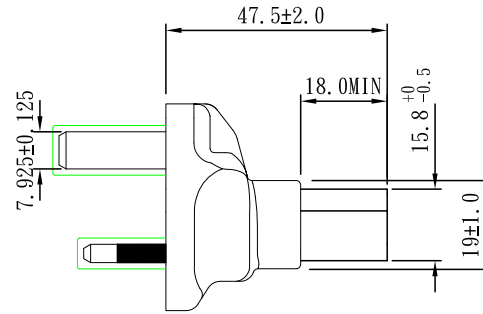
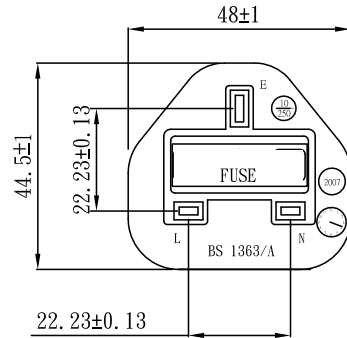
REV. A

PART NO: 705-712-KIT(R) SHEET 5/6

PROPRIETARY INFORMATION:

PROPRIETARY OF GLOBTEK, INC. ANY REPRODUCTION, DISCLOSURE OR USE OF THIS DRAWING, IN WHOLE OR IN PART, IS HEREBY PROHIBITED EXCEPT AS SPECIFIED IN WRITING BY GLOBTEK, INC.

Adaptor UK PLUG to IEC 320 C14: 701-610S(R)



Note:

1. Rating: 10A 250V~
2. Insulation Resistance: $5 \text{ M}\Omega$
3. Dielectric Voltage: 3000V/sec

GlobTek, Inc.
www.globtek.com

186 Veterans Dr. Northvale, NJ 07647
Tel. 201-784-1000 Fax 201.784.0111

DWG TITLE: INTERNATIONAL JUMPER CORDSET WITH 4 PC SET ADAPTOR:
701-302S(R), 701-2314S(R), 701-550S(R), 701-610S(R)

PART NO: 705-712-KIT(R)

REV.
A

SHEET 6/6