

**PROPRIETARY INFORMATION:**

PROPRIETARY OF GLOBTEK, INC. ANY REPRODUCTION, DISCLOSURE OR USE OF THIS DRAWING, IN WHOLE OR IN PART, IS HEREBY PROHIBITED EXCEPT AS SPECIFIED IN WRITING BY GLOBTEK, INC.

**REVISION HISTORY**

REV	DESCRIPTION	SALES	RFS	DATE	APPROVED
A	Initial Release	SV	27225	11/14/2018	DR
B	Update internal impedance from $\leq 220\text{m}\Omega$ to $\leq 100\text{m}\Omega$ ; discharge cutoff voltage from 3.0V to 2.75V	SV	27242	1/4/2019	DR
C	UPDATE MECHANICAL DESIGN TO HAVE THE PCM ON TOP, CLARIFY CONNECTOR, CERTS, OC OD DETECTION UPDATE	DR	RFI-852252	9/6/2020	DR
D	Update packing,main label,add carton label.update RATED CAPACITY to 5200mAh(Typ); 4800mAh(Min).update INTERNAL IMPEDANCE to $\leq 130\text{m}\Omega$ .update OVER CURRENT DETECTION to 5.5A to 15.0 A (5 to 30 msec.	DR	27653	7/19/2021	DR
E	Update polarity connection on page 4,5 and label	EA	27666	9/2/2021	DR
E1	Correction of battery DWG	NF	27668	9/13/2021	DR
E2	Change wire length from 50.8mm $\pm$ 2.0 mm to 50.8mm $\pm$ 5.0 mm	MK	27699	1/24/2022	DR

See Page 2 for important battery warranty and usage information.

**Foot Note:**

Globtek Inc. will not be liable for the safety and performance of these power supplies if unauthorized access and repair occurs. End user should consult applicable UL, CSA or EN standards for proper installation instruction.

**Limitation of Use:**

Globtek product are not authorized for use as mission critical components in life support hazardous environment, nuclear or aircraft applications without prior written approval from the CEO of Globtek Inc.

Contents of this document are subject to change without prior notice

 GlobTek<sup>®</sup>, Inc.  
[www.globtek.com](http://www.globtek.com)

186 Veterans Drive, Northvale, NJ 07467  
 Tel. 201-784-1000 Fax 201-784-0111

Drawing Title: Li-Ion Cylindrical Battery

3.7Volts @ 5200mAh

Model No. ICR18650 (11NR19/65-2)

Part No.: BL2600C1865001S2PRMS

Rev. E2

**PROPRIETARY INFORMATION:**

PROPRIETARY OF GLOBTEK, INC. ANY REPRODUCTION, DISCLOSURE OR USE OF THIS DRAWING, IN WHOLE OR IN PART, IS HEREBY PROHIBITED EXCEPT AS SPECIFIED IN WRITING BY GLOBTEK, INC.

By customer signing or accepting this document, they agree to acknowledge and accept the **Guidelines and cautions, Safety Notes, and Safety Precautions published on GlobTek's website** [http://en.globtek.com/safety-cautions.php#.UUD-NRzU\\_I8](http://en.globtek.com/safety-cautions.php#.UUD-NRzU_I8)

GlobTek offers a 5-year warranty on workmanship and electrical components assembly on all new battery pack products excluding the battery cells themselves which are covered by the Manufacturer's original warranty at their published warranty period. Please refer to the manufacturer's manufacturer's warranty policy for cells. For GlobTek brand cells, GlobTek provides a 12-month warranty for Li-Ion batteries. The warranty period is based upon the expectation that the battery will deliver 80% of its initial capacity after 300 cycles at low to moderate power loads. High power loads may cause a battery to reach 80% of initial capacity in less than the 12-month warranty period. Li-Ion batteries will continue to operate below the 80% capacity threshold; however, the capacity (run time) delivered between charges will continue to decrease.

The purchaser of GlobTek battery pack products (Customer) agrees that they are a "Sophisticated user" who understands battery technology and that it is their sole responsibility to determine suitability of the product described for their application and to take precautions for protection against any hazards attendant to the handling and use of the product. GlobTek products are only designed for professional use and integration by companies into their products and may not be used by consumers directly. GlobTek provides batteries and battery packs as a component of an end system.

The acceptance of GlobTek specifications, the information on this page and use of the product(s) described in this or other GlobTek documents indicate that the product was qualified for use (tested and/or sample waiver signed), and the acceptance and binding of the customer to GlobTek terms and conditions, which supersede all other agreements, terms and conditions (<http://en.globtek.com/terms-and-conditions/>).

**Customer Approval of Specification:**

Please approve, sign and send back to GlobTek so we can complete order processing.

A delay in receipt of this form will delay delivery schedule.

Company Name:


Customer P/N:

Quote Number:

Date:

Authorized Representative Name:

Authorized Representative Signature:

 GlobTek® Inc. <a href="http://www.globtek.com">www.globtek.com</a>	Drawing Title: Li-Ion Cylindrical Battery	
	3.7Volts @ 5200mAh	
186 Veterans Drive, Northvale, NJ 07467 201-784-1000 Fax 201-784-0111	Tel.	Model No. ICR18650 (11NR19/65-2)
		Part No.: BL2600C1865001S2PRMS
		Rev. E2

**PROPRIETARY INFORMATION:**

PROPRIETARY OF GLOBTEK, INC. ANY REPRODUCTION, DISCLOSURE OR USE OF THIS DRAWING, IN WHOLE OR IN PART, IS HEREBY PROHIBITED EXCEPT AS SPECIFIED IN WRITING BY GLOBTEK, INC.

**1. GENERAL SPECIFICATION:**

**BATTERY WITH SAFETY CIRCUIT**

CELL:	SZNS18650-2600MAH OR EQUAL
PCM:	OSP-630-BL2600C1865001S2PZML®
NTC:	N/A
ID:	N/A

CONFIGURATION: 1S2P

**2. ELECTRICAL SPECIFICATION:**

RATED CAPACITY:	5200mAh(Typ); 4800mAh(Min)
NOMINAL VOLTAGE:	3.7V
WATT-HOUR RATING:	19.24WH
CHARGING METHOD:	Constant Current/Constant Voltage
MAX. CHARGE VOLTAGE [V]:	4.2 V/cell Max (Recommended 4.1±1%/cell for additional safety reasons)
CHARGE CURRENT:	0.2C (Typ.); 0.5C(Max.)
REC. CHARGE CUT OFF:	By current 0.2C or timer approx. 6.5h
MAX. CONTINUOUS DISCHARGE CURRENT:	1C
REC. DISCHARGE CUT OFF:	2.75V
INTERNAL IMPEDANCE:	≤130mΩ
EXP. CYCLE LIFE:	>500 cycles > 70% of initial capacity (charge CC 0.2C; discharge 0.5V to 3.0V)
CELL PROTECTION:	
OVER CHARGE DETECTION:	4.275 ±0.025Volts (0.96 to 1.4 sec delay, resume 4.175 ±0.025V)
OVER DISCHARGE DETECTION:	2.70 ±0.05Volts (80 to 245msec. delay, resume 2.8±0.05V)
OVER CURRENT DETECTION:	5.5A to 15.0 A (5 to 30 msec. delay, resume cut load)

**3. AMBIENT CONDITIONS**

TEMPERATURE RANGE:	
CHARGE:	0 to +45°C
DISCHARGE:	-20 to +60°C
CHARGE RETENTION/STORAGE [%]:	≤6 months at +15°C to +25°C ≤3 months 0 to 0C
HUMIDITY:	60±15%RH

**4. ENVIRONMENTAL AND SAFETY**

PLEASE FOLLOW GlobTek, Inc. HANDLING AND SAFETY PRECAUTIONS FOR Lilon & LiPolymer.

**5. CELL REGULATORY APPROVALS:**

UL: UL1642 approved

**6. BATTERY PACK APPROVALS:**

RoHS:	COMPLIES WITH EU 2002/95/EC AND CHINA SJ/T 11363-2006
CE Mark:	COMPLIES WITH 2004/108/EC ELECTROMAGNETIC COMPATIBILITY INCLUDING BUT NOT LIMITED TO EN61000-6-1:2007, EN61000-6-3:2007
TRANSPORTATION:	Designed to meet UN38.3
Safety:	Designed to meet UL 2054, IEC61960:2003, IEC 62133,
UL:	Design to meet UL2054, IEC62133 <a href="#">certified to IEC 62133-2: 2017</a>



GlobTek, Inc.  
[www.globtek.com](http://www.globtek.com)  
 186 Veterans Drive, Northvale, NJ 07467  
 Tel. 201-784-1000 Fax 201-784-0111

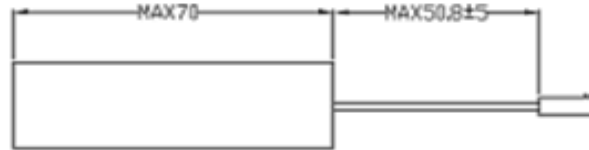
Drawing Title: Li-Ion Cylindrical Battery 3.7Volts @ 5200mAh Model No. ICR18650 (1INR19/65-2) Part No.: BL2600C1865001S2PRMS	Rev. E2
---	---------

**PROPRIETARY INFORMATION:**

PROPRIETARY OF GLOBTEK, INC. ANY REPRODUCTION, DISCLOSURE OR USE OF THIS DRAWING, IN WHOLE OR IN PART, IS HEREBY PROHIBITED EXCEPT AS SPECIFIED IN WRITING BY GLOBTEK, INC.

**8. MECHANICAL:**

DIMENSIONS:	70.0mm x 40 mm x 25 mm (Max)
SHRINK WRAP:	Blue PVC Film
WIRE TYPE:	UL1007 22AWG
WIRE LENGTH:	50.8mm ± 5.0 mm
Wire Polarity: Pin 1	Negative (Black)
Wire Polarity: Pin 2	Positive (Red)
CONNECTOR TYPE:	Molex P/N 22-01-2027
TERMINAL:	Molex P/N 08-50-0114 (Qty 2)
TIN LENGTH:	N/A
ADDITIONAL REQUIREMENTS:	N/A



FRONT VIEW

P1:Black P-  
P2:Red P+

[ADDITIONAL OUTPUT PLUG OPTIONS ARE AVAILABLE BY CLICKING THIS LINK.](#)  
[STANDARD PLUGS AND CONNECTORS CAN BE SEEN ONLINE BY CLICKING THIS LINK](#)

**PROPRIETARY INFORMATION:**

PROPRIETARY OF GLOBTEK, INC. ANY REPRODUCTION, DISCLOSURE OR USE OF THIS DRAWING, IN WHOLE OR IN PART, IS HEREBY PROHIBITED EXCEPT AS SPECIFIED IN WRITING BY GLOBTEK, INC.

**7.CONNECTOR:**

ACTUAL CONNECTOR'S, OVERMOLDS, MAY VARY SLIGHTLY FROM THE PICTURE BELOW



	EQUIVALENT ALLOWED	Y / N
PLUG TYPE	Y	Molex P/N 22-01-2027
Terminal	Y	Molex 08-50-0114 (Qty 2)

WIRING INSTRUCTIONS:



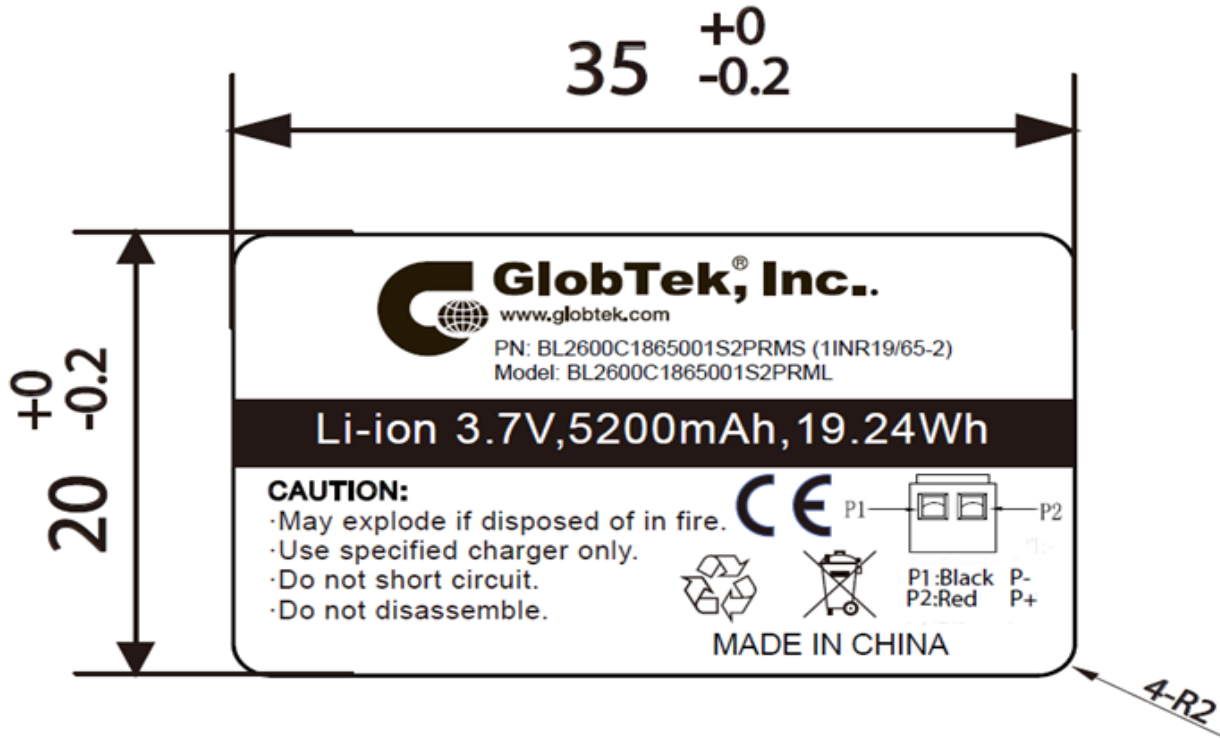
FRONT VIEW

P1:Black P-  
P2:Red P+

**PROPRIETARY INFORMATION:**

PROPRIETARY OF GLOBTEK, INC. ANY REPRODUCTION, DISCLOSURE OR USE OF THIS DRAWING, IN WHOLE OR IN PART, IS HEREBY PROHIBITED EXCEPT AS SPECIFIED IN WRITING BY GLOBTEK, INC.

MATERIAL:	TBD
BACKGROUND COLOR:	WHITE
TEXT COLOR:	BLACK
LABEL WIDTH: (mm)	35.0 mm
LABEL HEIGHT: (mm)	20.0 mm
ADDITIONAL REQUIREMENTS:	N/A
ADDITIONAL REQUIREMENTS:	N/A



GlobTek®, Inc.  
[www.globtek.com](http://www.globtek.com)

186 Veterans Drive, Northvale, NJ 07467  
 Tel. 201-784-1000 Fax 201-784-0111

Drawing Title: Li-Ion Cylindrical Battery  
 3.7Volts @ 5200mAh

Model No. ICR18650 (11NR19/65-2)  
 Part No.: BL2600C1865001S2PRMS

Rev. E2

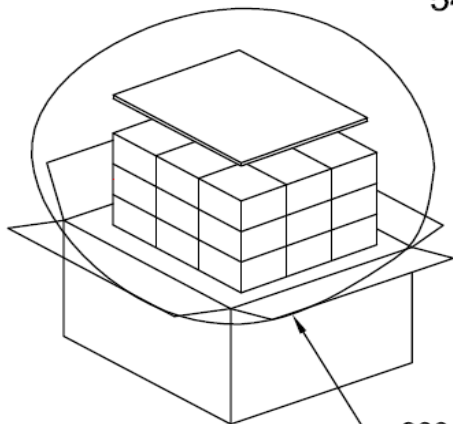
**PROPRIETARY INFORMATION:**

PROPRIETARY OF GLOBTEK, INC. ANY REPRODUCTION, DISCLOSURE OR USE OF THIS DRAWING, IN WHOLE OR IN PART, IS HEREBY PROHIBITED EXCEPT AS SPECIFIED IN WRITING BY GLOBTEK, INC.

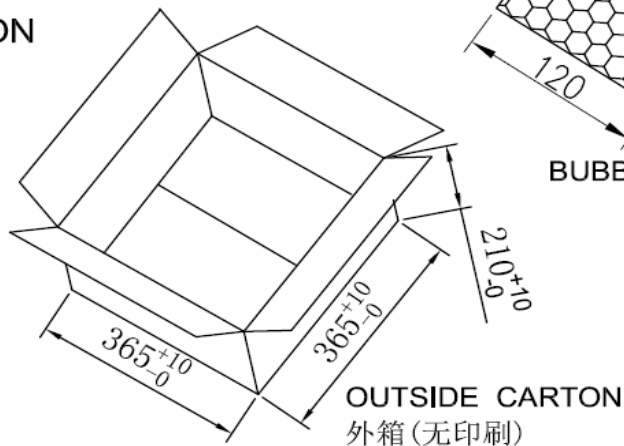
**9. PACKAGING:**

BUBBLE BAG SIZE	120*100mm
CARTON SIZE:	365*365*210mm
QUANTITY PER CARTON:	54pcs
G.W.	TBD

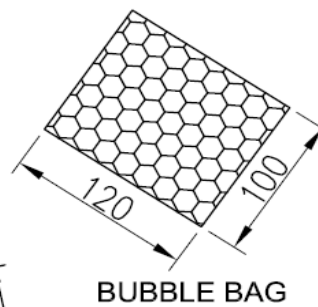
54 PCS/CARTON



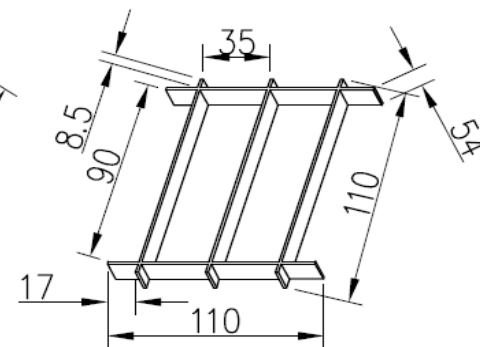
900x900防潮PE袋  
(Moisture-proof bags of PE)



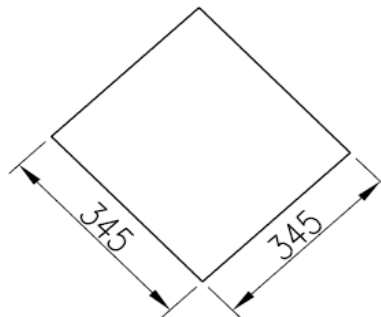
OUTSIDE CARTON  
外箱 (无印刷)



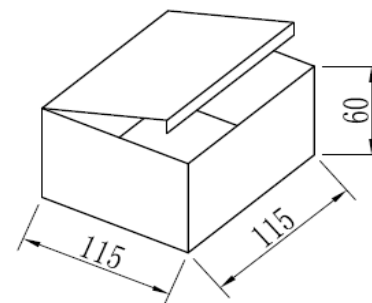
BUBBLE BAG



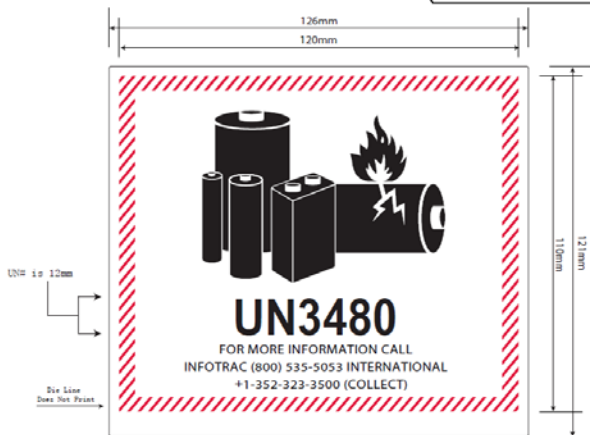
CELL PARTITION 蜂窝组



PARTITION 隔板



GIFT BOX 礼品盒



GlobTek, Inc.

[www.globtek.com](http://www.globtek.com)

186 Veterans Drive, Northvale, NJ 07467

Tel. 201-784-1000 Fax 201-784-0111

Drawing Title: Li-Ion Cylindrical Battery

3.7Volts @ 5200mAh

Model No. ICR18650 (11NR19/65-2)

Part No.: BL2600C1865001S2PRMS

Rev. E2