



ISO 9001:2008  
REGISTERED

GTM21097 SERIES-50W



**0-50 Watts, DeskTop, Switchmode Universal Input,  
Single Output Family, Medical**

Part Number Ordering System (See Page 302)  
Output Plug/Cord Options (See Page 271)



INDOOR USE ONLY



**ELECTRICAL SPECIFICATIONS:**

**INPUT VOLTAGE:**  
90 VAC TO 264 VAC

**INPUT CURRENT:**  
< 1.6 A RMS AT 90 VAC INPUT

**INPUT FREQUENCY:**  
47 HZ - 63 HZ

**OUTPUT CURRENT:**  
NO MINIMUM LOAD REQUIRED

**OUTPUT POWER (RATED):**  
50 WATTS MAX

**OUTPUT RIPPLE (PEAK TO PEAK):**  
1% OF OUTPUT VOLTAGE, PEAK TO PEAK, TYPICAL

**OUTPUT REGULATION (LINE/LOAD):**  
+/-5% MEASURED AT THE OUTPUT CONNECTOR

**LINE REGULATION:**  
+/- 1% TYPICAL MEASURED AT FULL LOAD

**TURN ON/ TURN OFF OVERTHOOT:**  
5% MAXIMUM, 1mS TYPICAL RECOVERY TIME FOR 25% STEP LOAD

**TURN-ON DELAY:**  
1 SEC TYPICAL

**HOLD-UP TIME:**  
10mS TYPICAL AT NOMINAL INPUT VOLTAGE AND FULL LOAD

**INRUSH CURRENT:**  
20A TYPICAL AT 115Vac INPUT AND 30A TYPICAL AT 230Vac INPUT

**EFFICIENCY:**  
75% TYPICAL AT NOMINAL INPUT AND FULL LOAD

**SWITCHING FREQUENCY:**  
100 KHZ TYPICAL

**OVER-VOLTAGE PROTECTION:**  
VOLTAGE LIMITED TO LESS THAN 130%, CROWBAR METHOD

**OVER-CURRENT / SHORT CIRCUIT:**  
HICCUP MODE WITH AUTO-RECOVERY (110 - 130% OF RATED LOAD), HICCUP MODE OUTPUT WILL AUTORECOVER UPON REMOVAL OF SHORT

**OTHER PROTECTION:**  
INPUT LINE FUSING

**SAFETY APPROVALS:**  
UL 60601.1, CUL TO 22.2 NO. 601.1, TUV TO EN60601.1, PSE TO J60950 CB REPORT

**DIELECTRIC WITHSTAND VOLTAGE:**  
5656VDC (4000VAC) FROM PRIMARY TO GROUND  
2121VDC (1500VAC) FROM PRIMARY TO GROUND

**LEAKAGE CURRENT:**  
<500uA at 264Vac INPUT VOLTAGE

**LINE SURGE:**  
EN 61000-4-5 LEVEL 4

**EMI:**  
EN55011, Group 1, Class B, EN55022 Class B, EN55011, Group 1, Class B; EN55024 / EN60601-1-2 / IEC 61000-4-3:2002; EN55024 / EN60601-1-2 / IEC 61000-4-6:2001; EN55024 / EN60601-1-2 / IEC 61000-4-8:2001; EN55024 / EN60601-1-2 / IEC 61000-4-11:2001; EN55024 / EN60601-1-2 / IEC 61000-4-4:2001; EN55024 / EN60601-1-2 / IEC 61000-4-2:2001; EN55024 / EN60601-1-2 / IEC 61000-4-5:2001; EN55024 / EN 61000-3-3 A1: 2001 / EN 61000-3-3 A1: 2001; EN55024 / EN 61000-3-2:2001 / EN 61000-3-2:2001. UNIT IS ELIGIBLE FOR CE MARK

**CE MARK:**  
TESTED TO COMPLY WITH EN61000-3-2 EN61000-3-3 AND EN50082-1 INCLUDING EN61000-4-2 (SYSTEM LEVEL), EN61000-4-3, EN61000-4-4, EN61000-4-5, EN61000-4-6, EN61000-4-11 LEVEL 4.

**MTBF:**  
GREATER THAN 200,000 HOURS AT 25°C AMBIENT TEMPERATURE NOMINAL LINE AND FULL LOAD (MIL-217 STD)

**OPERATING TEMPERATURE:**  
0°C TO 40°C AMBIENT TEMPERATURE

**STORAGE TEMPERATURE:**  
-40° C TO 80° C

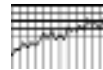
**HUMIDITY:**  
0% TO 90% RELATIVE HUMIDITY

**NOTES:**

- (M) MEDICAL MODEL
- EACH OUTPUT CURRENT MAY VARY WITHIN IT'S DESIGNATION RANGE, AS LONG AS OUTPUT POWER IS NOT EXCEEDED.
- SINGLE OUTPUT UNITS ARE AVAILABLE FROM 3.3V UP TO 48V IN 0.1V INCREMENTS.
- (X.X) OPTIONAL FOR SPECIFYING OUTPUT VOLTAGE DEVIATION FROM STANDARD MODEL. SUBTRACTING X.X VOLTS FROM STANDARD OUTPUT VOLTAGE.

**OUTPUT VOLTAGE / CURRENT:**

MODEL NUMBER	OUTPUT VOLTAGE (VDC)	OUTPUT CURRENT (A)	RATED OUTPUT POWER (W)
GTM21097-2003	+3.3	0 - 6.0	0 - 20
GTM21097-3005-1.0	+4.0	0 - 6.0	0 - 24
GTM21097-3005-X.X	+5.0	0 - 6.0	0 - 30
GTM21097-4509-3.0	+6.0	0 - 5.0	0 - 30
GTM21097-4509-2.0	+7.0	0 - 5.0	0 - 35
GTM21097-4509-1.0	+8.0	0 - 5.0	0 - 40
GTM21097-4509-X.X	+9.0	0 - 5.0	0 - 45
GTM21097-5012-2.0	+10.0	0 - 5.0	0 - 50
GTM21097-5012-1.0	+11.0	0 - 4.5	0 - 50
GTM21097-5012-X.X	+12.0	0 - 4.17	0 - 50
GTM21097-5015-2.0	+13.0	0 - 3.8	0 - 50
GTM21097-5015-1.2	+13.8	0 - 3.6	0 - 50
GTM21097-5015-1.0	+14.0	0 - 3.5	0 - 50
GTM21097-5015-X.X	+15.0	0 - 3.3	0 - 50
GTM21097-5018-X.X	+18.0	0 - 2.8	0 - 50
GTM21097-5024-4.0	+20.0	0 - 2.5	0 - 50
GTM21097-5024-X.X	+24.0	0 - 2.1	0 - 50
GTM21097-5048-20.4	+27.6	0 - 1.8	0 - 50
GTM21097-5048-18.0	+30.0	0 - 1.7	0 - 50
GT-500148-30	+30.0	0 - 2.0	0 - 60
GTM21097-5048-12.0	+36.0	0 - 1.4	0 - 50
GTM21097-5048-X.X	+48.0	0 - 1.1	0 - 50



SEE APPENDIX "E" FOR ELECTRICAL PERFORMANCE CURVES



ISO 9001:2008  
REGISTERED



**0-50 Watts, DeskTop, Switchmode Universal Input,  
Single Output Family, Medical**

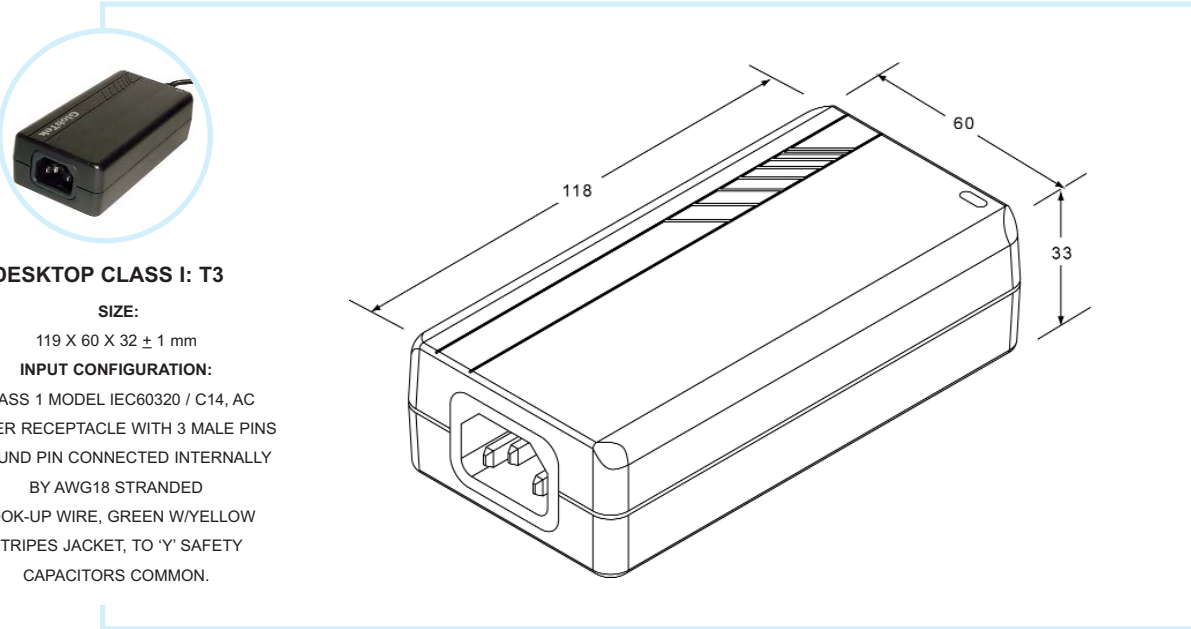
Part Number Ordering System (See Page 302)  
Output Plug/Cord Options (See Page 271)



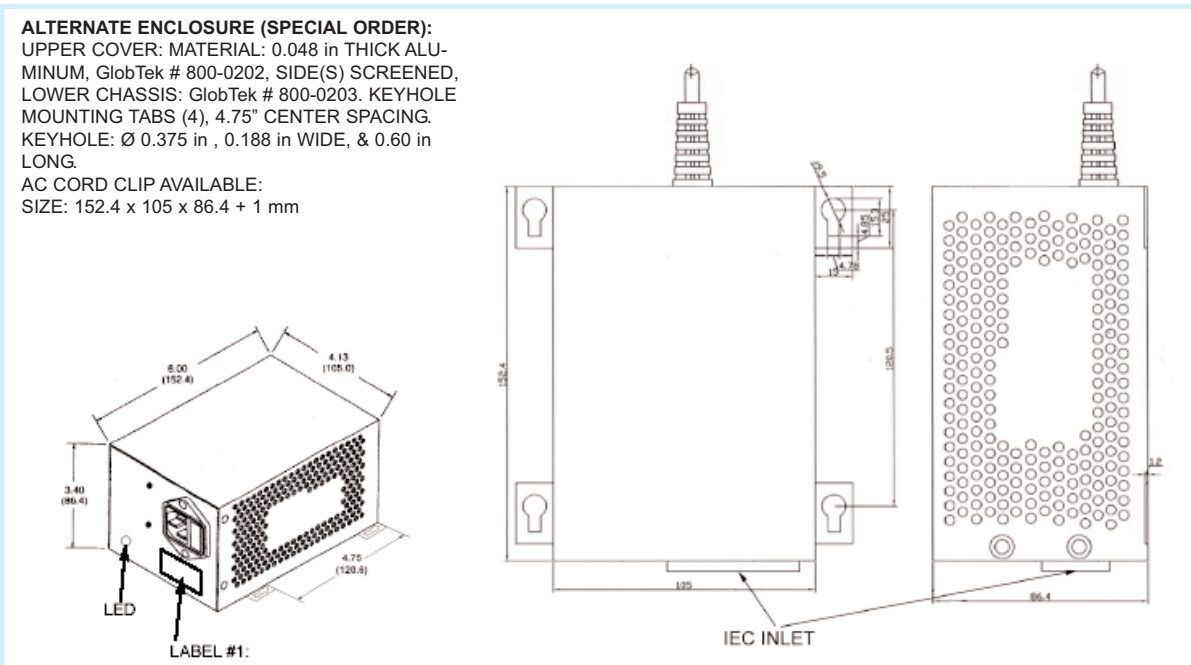
FOR INDOOR USE ONLY

**ENCLOSURES**

HOUSING: HIGH IMPACT PLASTIC, 94V0 POLYCARBONATE, NON-VENTED, COLOR BLACK



**INDICATOR:**  
GREEN LED, OUTPUT PRESENT



SPECIFICATIONS MAY CHANGE WITHOUT PRIOR NOTICE. CONSULT GLOBTEK CUSTOMER SERVICE FOR LATEST SPECIFICATIONS.