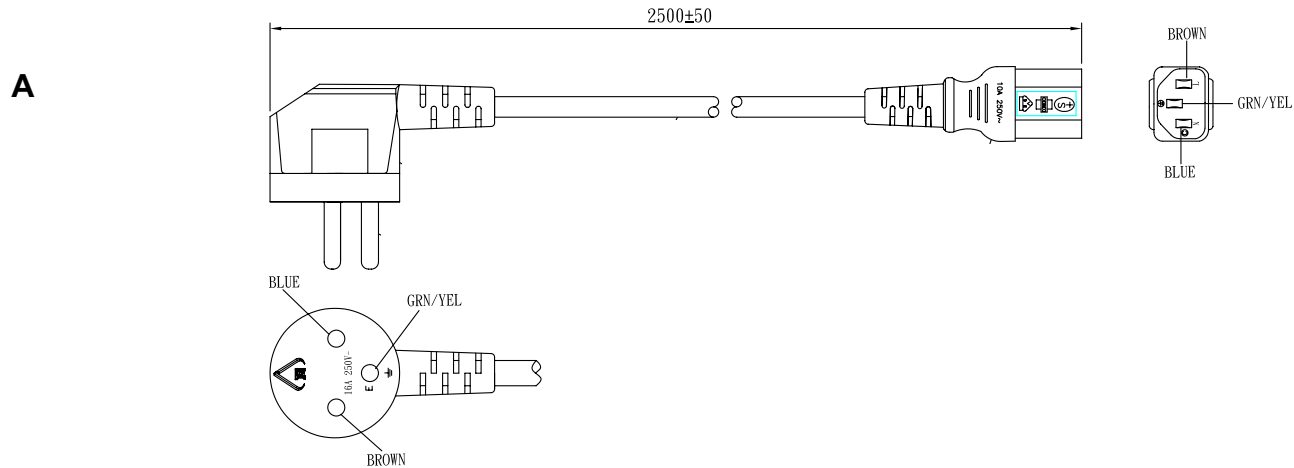


**PROPRIETARY INFORMATION:**  
 PROPRIETARY OF GLOBTEK, INC. ANY REPRODUCTION, DISCLOSURE OR USE OF THIS DRAWING, IN WHOLE OR IN PART, IS HEREBY PROHIBITED EXCEPT AS SPECIFIED IN WRITING BY GLOBTEK, INC.

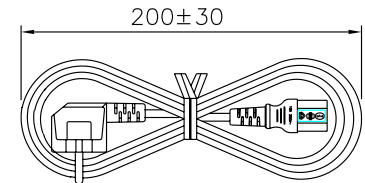
REVISION			
REV	DESCRIPTION	DATE	APPROVED
A	INITIAL RELEASE	12/13/01	PS
B	REDRAW TO NEW FORMAT, RFS. 4002, DMR	07/07/04	BS
C	ADD ROHS, RFS. 14728, EM	10/02/08	BS
D	UPDATE DRW, RFS. 17566, EM	11/23/09	BS



**GENERAL SPECIFICATIONS:**

RATING: 10A / 250V AC  
 CABLE TYPE / SIZE: H05VVf 3 X1.0 mm<sup>2</sup>  
 TEMPERATURE RATING: 70° C  
 CONDUCTOR COLORS: BLUE / BROWN / GREEN-YELLOW  
 CABLE JACKET COLOR: BLACK  
 OVERALL LENGTH (L): 2500 ± 50 mm  
 CABLE OUTER DIAMETER: 7.0 ± 0.1 mm  
 END 'A' PLUG: ISRAELI 3 PINS / RIGHT ANGLE ISL 377C  
 END 'B': IEC 320 / C13  
 APPROVALS PLUG: SII  
 APPROVALS CABLE: VDE, N, S, D, FI, KEMA, SAA, SEV, CEBEC, OVE  
 APPROVALS CONNECTOR: VDE, N, S, D, FI, NSI, KEMA, SEV, SAA, IMQ, CEBEC, OVE CE

**PACKING:  
 HANKING**



**NOTE:**  
 PLUG MUST BE MARKED WITH APPROVAL SYMBOL:



DASH NO.	PART NO	REV.	DESCRIPTION	NOTES
<b>TABULATION BLOCK</b>				
		<b>TOLERANCES:</b> DECIMALS    ANGULAR .xx +/- 0.1    +/- 1° .xxx +/- .005		<b>GlobTek, Inc.</b> www.globtek.com 186 Veterans Dr. Northvale, NJ 07647 Tel. 201-784-1000 Fax 201.784.0111
		MILLIMETERS    ANGULAR .xx +/- 0.3    +/- 1° .xxx +/- .013		
INIT.BY: DMR	DATE: 07/07/04	<b>DWG TITLE: ISRAELI DETACHABLE CORDSET</b>		
DRAWN: NF	DATE: 07/07/04	FSCN No.: G, YL	SIZE: A	REV. D
APRVD: BS	DATE: 07/07/04	SCALE: NONE	PART NO: <b>377C4272M5701(R)</b>	SHEET 1/1

**Foot Note:**  
 Globtek Inc. will not be liable for the safety and performance of these power product if unauthorized access and repair occurs. End user should consult the applicable UL, CSA or EN Standards for proper installation instruction.

**Limitation of Use:**  
 Globtek product are not authorized for use as mission critical components in life support, hazardous environment, nuclear or aircraft applications without prior written approval from the CEO of Globtek Inc.

Contents of this document are subject to change without prior notice