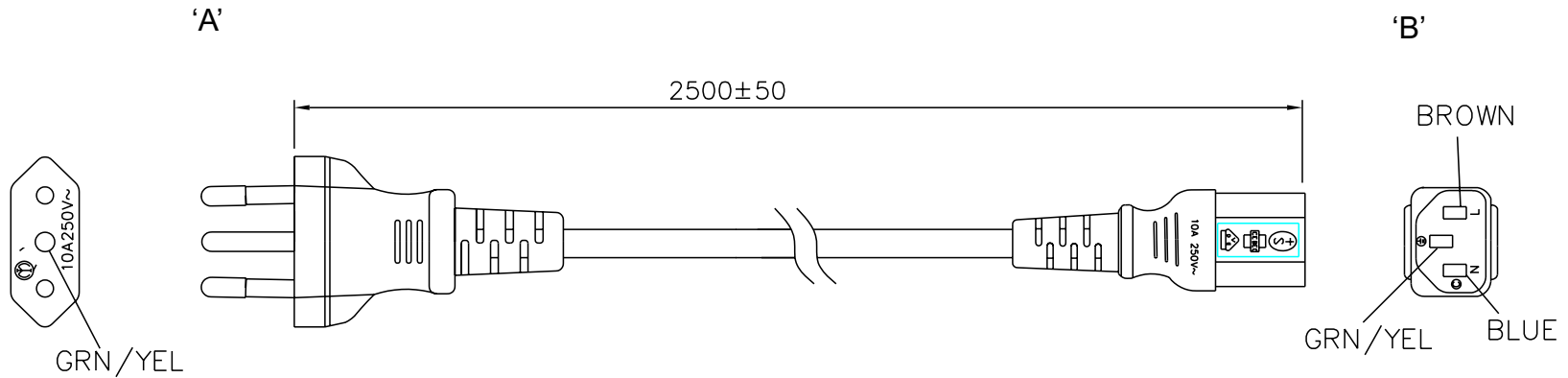


PROPRIETARY INFORMATION:
 PROPRIETARY OF GLOBTEK, INC. ANY REPRODUCTION, DISCLOSURE OR USE OF THIS DRAWING, IN WHOLE OR IN PART, IS HEREBY PROHIBITED EXCEPT AS SPECIFIED IN WRITING BY GLOBTEK, INC.

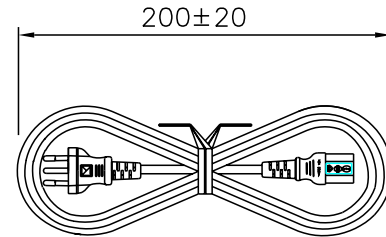
| REVISION | | | |
|----------|-------------------------|----------|----------|
| REV | DESCRIPTION | DATE | APPROVED |
| A | INITIAL RELEASE | 07/13/00 | BS |
| B | REDRAW, RFS.3922, DMR | 06/23/04 | BS |
| C | ADD ROHS, RFS.14721, EM | 10/02/08 | BS |



GENERAL SPECIFICATIONS:

RATING: 10A / 250V AC
 CABLE TYPE / SIZE: HO5VV-F, 3 x 1.0 mm²
 TEMPERATURE RATING: 70° C
 CONDUCTOR COLORS: BLUE/ BROWN / GREEN-YEL
 CABLE JACKET COLOR: BLACK
 OVERALL LENGTH (L): 2500 ± 50 mm
 CABLE OUTER DIAMETER: 7.2 ± 0.1 mm
 END 'A' PLUG: ITALIAN PLUG , CEI 23-16/VII
 END 'B' : IEC 320-C13
 APPROVALS PLUG: IMQ
 APPROVALS CABLE: VDE, N, S, D, FI, KEMA, SEV, CEPEC, OVE, SAA
 APPROVALS CONNECTOR: IMQ, VDE, N, S, D, FI, KEMA, UTE, CEPEC, OVE, SEV


PACKING:
 HANKING



NOTES:

- CORD AND PLUG MUST BE MARKED WITH APPROVAL SYMBOLS AND/ OR FILE NUMBERS.



| DASH NO. | PART NO | REV. | DESCRIPTION | NOTES |
|-------------------------|---------|---|---------------------------------------|--|
| TABULATION BLOCK | | | | |
| | | TOLERANCES: DECIMALS ANGULAR .xx +/- 0.1 +/- 1° .xxx +/- .005 | |  GlobeTek, Inc. www.globtek.com 186 Veterans Dr. Northvale, NJ 07647 Tel. 201-784-1000 Fax 201.784.0111 |
| | | MILLIMETERS ANGULAR .xx +/- 0.3 +/- 1° .xxx +/- .013 | | |
| INIT.BY: DMR | | DATE: 06/23/04 | DWG TITLE: ITALIAN DETACHABLE CORDSET | |
| DRAWN: NF | | DATE: 06/23/04 | FSCN No.: G, CC | SIZE: A |
| APRVD:BS | | DATE: 06/23/04 | SCALE: NONE | PART NO: 23024272M5701(R) |
| | | | | REV. C |
| | | | | SHEET 1/1 |

Foot Note:
 Globtek Inc. will not be liable for the safety and performance of these power product if unauthorized access and repair occurs. End user should consult the applicable UL, CSA or EN Standards for proper installation instruction.

Limitation of Use:
 Globtek product are not authorized for use as mission critical components in life support, hazardous environment, nuclear or aircraft applications without prior written approval from the CEO of Globtek Inc.

Contents of this document are subject to change without prior notice