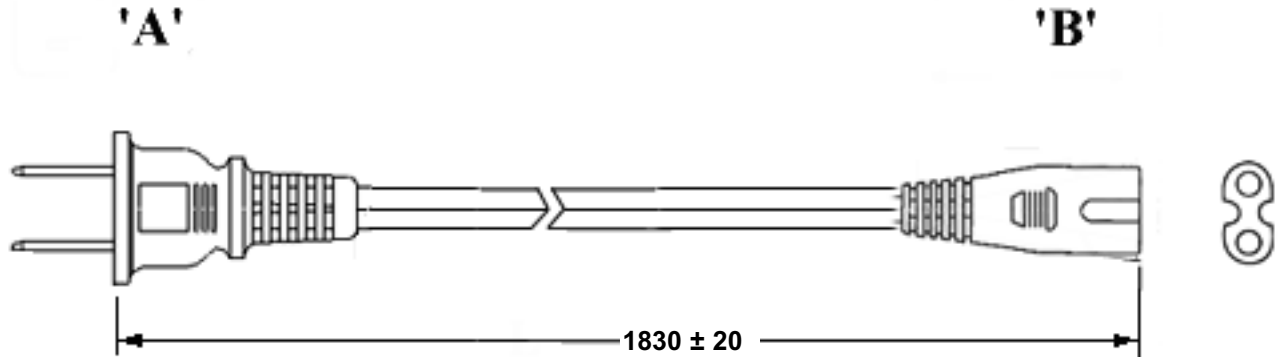
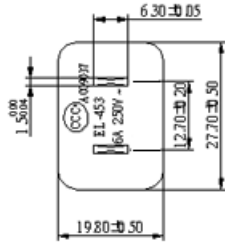
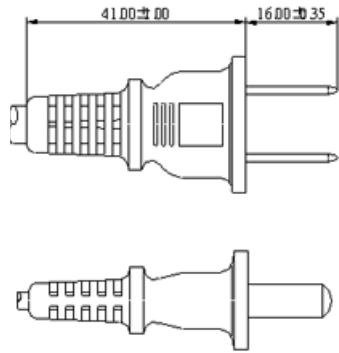


PROPRIETARY INFORMATION:
 PROPRIETARY OF GLOBTEK, INC. ANY REPRODUCTION, DISCLOSURE OR USE OF THIS DRAWING, IN WHOLE OR IN PART, IS HEREBY PROHIBITED EXCEPT AS SPECIFIED IN WRITING BY GLOBTEK, INC.

REVISION			
REV	DESCRIPTION	DATE	APPROVED
A	INITIAL RELEASE	06/03/03	BS
B	UPDATE HANKING	06/03/03	DMR
C	UPDATE DRAWING	06/16/03	DMR
D	UPDATE SPEC.,RFS.2629,DMR	12/01/03	DMR
E	REVISE APPROVALS.,RFS.2665 ,DMR	12/09/03	DMR
F	ADD ROHS, RFS.14725, MS	10/02/08	BS
G	ADD H03VVH-2F CORD OPTION, RFS.21193, EM	06/30/11	HM

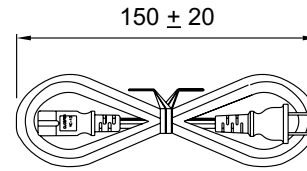


GENERAL SPECIFICATIONS:

RATING: 2.5A / 250V AC
 CABLE TYPE / SIZE: RVV (227 IEC 52) or H03VVH-2F, 2 X 0.75 mm²
 TEMPERATURE RATING: 60°C
 CABLE JACKET COLOR: BLACK
 OVERALL LENGTH (L): 1830 ± 20 mm (6 Ft)
 CABLE OUTER DIAMETER: 3.5 x 5.7 ± 0.2 mm
 END 'A' TERMINATION: CHINA TYPE PER GB 2099.1 (EL453)
 END 'B' TERMINATION: IEC 320 /C7 (GB17465, 1-1998)
 APPROVALS PLUG: CCC or VDE
 APPROVALS CABLE: CCC or VDE
 APPROVALS CONNECTOR: CCC

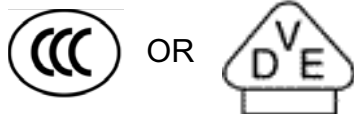
PACKING:


HANKING
 L = 150 ± 20 mm



NOTES:

1. CORD AND PLUG AND CONNECTOR MUST BE MARKED WITH APPROVAL SYMBOLS OR FILE NUMBER(S).



DASH NO.	PART NO	REV.	DESCRIPTION	NOTES
TABULATION BLOCK				
		TOLERANCES: DECIMALS ANGULAR .xx +/- 0.1 +/- 1° .xxx +/- .005		 GlobTek, Inc. www.globtek.com 186 Veterans Dr. Northvale, NJ 07647 Tel. 201-784-1000 Fax 201.784.0111
INIT.BY: BS	DATE: 05/27/03	MILLIMETERS ANGULAR .xx +/- 0.3 +/- 1° .xxx +/- .013		
DRAWN: NF	DATE: 05/27/03	FSCN No.: G, CC	SIZE A	REV. G
APRVD: BS	DATE: 05/27/03	SCALE: NONE	PART NO: 4533501M8703(R)	SHEET 1/1

DWG TITLE: CHINA TYPE DETACHABLE CORDSET