

ISO 9001:2000
REGISTERED**High Voltage DC/DC Converter**Part Number Ordering System (See Page 302)
Output Plug/Cord Options (See Page 271)**ELECTRICAL SPECIFICATIONS:****INPUT**OPERATING VOLTAGE
OPERATING VOLTAGE LIMIT**CURRENT CONSUMPTION:**INPUT CURRENT
(Idle state, $V_{Control} = 0V DC$)
INPUT CURRENT
(Idle state, $V_{output} = 1200Vdc$, Load = 0mA)
INPUT CURRENT
(Full load-1mA, $V_{output} = 1200Vdc$)**EFFECTIVE TEMPERATURE:**

FULL LOAD, 1200V, 1mA

POWER CONSUMPTION:INHIBIT
IDLE CONDITION(1200V, 0mA)
FULL LOAD (1200V, 1mA)**CONTROL VOLTAGE:**VOLTAGE RANGE
INPUT RESISTANCE
THRESHOLD
VOLTAGE TRANSMISSION FUNCTION
OFFSET VOLTAGE**VOLTAGE MONITOR:****HIGH VOLTAGE TEST**VOLTAGE RANGE
VOLTAGE TRANSMISSION FUNCTION
OFFSET VOLTAGE
OUTPUT RESISTANCE**OUTPUT VOLTAGE: + HIGH VOLTAGE****OUTPUT VOLTAGE LINEAR REGULATION****OUTPUT VOLTAGE (UNDER LIMIT USE)****OUTPUT VOLTAGE (STOP/CLOSED)****MINIMUM OUTPUT CURRENT (UNDER LIMIT USE)****MAXIMUM OUTPUT CURRENT (UNDER LIMIT USE)****SHORT CIRCUIT CURRENT****SHORT CIRCUIT CURRENT PULSE (WORST CASE)****CONTINUOUS SHORT CIRCUIT****INTERNAL LOAD****OUTPUT POWER****HINDRANCE VOLTAGE (FULL LOAD):**SURPLUS RIPPLE
NOISE**ACCURACY/STABILITY:**OUTPUT CURRENT
OPERATING VOLTAGE/FULL LOAD
TEMPERATURE
TEST TIME (0.1%)
STORAGE ENERGY
STORAGE LOAD
POSSIBLE PARALLEL RESISTANCE
RECOVERY TIME FROM 1250V to 40V**INHIBIT ON/OFF**INPUT VOLTAGE
OPEN
CLOSE
LIMIT
INPUT RESISTANCE**OPERATING TEMPERATURE:**WORKING AMBIENT TEMPERATURE
STORAGE TEMPERATURE**SAFETY APPROVALS:**

cURus (PENDING)

MODEL: GT-91098-0124**LIMIT**23.0Vdc to 26.0Vdc (24V typical)
-0.5Vdc to +26Vdc

<20mA

<80mA

<200mA

0.54(Minimum), 0.57 (typical) W/W

1.0W Maximum
1.2W Maximum
2.5W Maximum+0.04 to +5.0Vdc
99 to 101KOhm (100+/-0.2 typical)
-5.0 to +30Vdc
-248 to -252V/V (-250 +/-0.25 typical)
-5.0 to +5.0mV(0+/-2 typical)0 to +5.0Vdc
-4.04 to -3.96mV/V(-4.000 typical +/-0.004)
-5 to +5mV
9.9 to 10.1KOhm (10+/-0.02 typical)-100 to -1250Vdc
-1250 to -1275Vdc (-1265 typical)
0.00Vdc
0mA
1.01 to 1.03mADC (1.02mA typical)
1.03Adc Maximum
≤2.0Amp Maximum
INFINITE
4.2 to 5.2nF
1.3W Maximum4mVss Maximum (3mVss typical)
3mVeff Maximum (1mV typical)50mV/mADC
30mV/V Maximum (10mV/V typical)
50ppm/ deg C Maximum
800mSec Maximum
4mJ Maximum
6.5uC Maximum
50MOhm
1 Sec Maximum0 to 0.4Vdc
1.6 to 0Vdc
-5 to +15Vdc
30KOhm typical0 to 50 deg C.
-20 to +85 deg C.**MODEL: GT-91098-0112****LIMIT**11.5Vdc to 12.5Vdc (12V typical)
0.5Vdc to +13Vdc

<20mA

<40mA

<185mA

0.54(Minimum), 0.57 (typical) W/W

0.2W Maximum
0.4W Maximum
2.2W Maximum+0.04 to +5.0Vdc
99 to 101KOhm
-5.0 to +30Vdc
-248 to -252V/V (-250 +/-0.25 typical)0 to +5.0Vdc
-4.04 to - typical +/-0.004)
-5 to +5mV
9.9 to 10.1KOhm (10+/-0.02 typical)-100 to -1250Vdc
-1250 to -1275Vdc (-1265 typical)
0.00Vdc
0mA
1.01 to 1.03mADC (1.02mA typical)
1.03Adc Maximum
≤2.0Amp Maximum
INFINITE
4.2 to 5.2nF
1.3W Maximum4mVss Maximum (3mVss typical)
3mVeff Maximum (1mV typical)50mV/mADC
30mV/V Maximum (10mV/V typical)
50ppm/ deg C Maximum
800mSec Maximum
4mJ Maximum
6.5uC Maximum
50MOhm
1 Sec Maximum0 to 0.4Vdc
1.6 to 0Vdc
-5 to +15Vdc
30KOhm typical0 to 50 deg C.
-20 to +85 deg C.

SPECIFICATIONS MAY CHANGE WITHOUT PRIOR NOTICE. CONSULT GLOBTEK CUSTOMER SERVICE FOR LATEST SPECIFICATIONS.



ISO 9001:2000
REGISTERED

GT-91098-0124 and GT-91098-0112



High Voltage DC/DC Converter

Part Number Ordering System (See Page 302)
Output Plug/Cord Options (See Page 271)

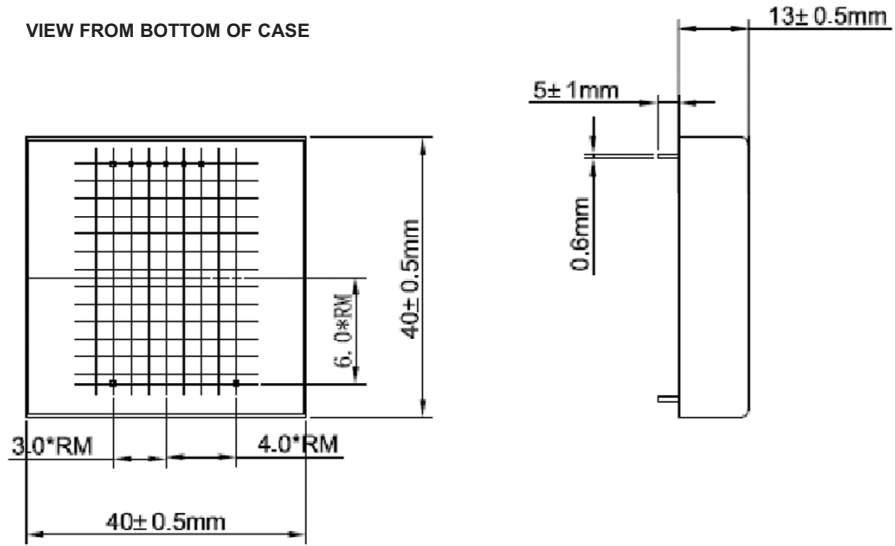


INDOOR USE ONLY

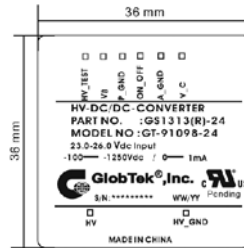
ENCLOSURES



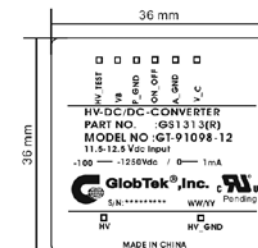
VIEW FROM BOTTOM OF CASE



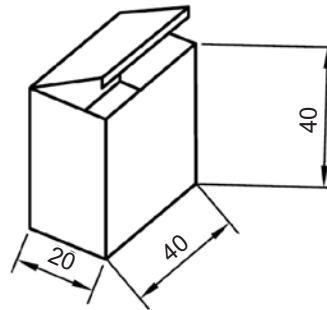
NOTE: RM=2.54mm



PENDING



PENDING



SPECIFICATIONS MAY CHANGE WITHOUT PRIOR NOTICE. CONSULT GLOBTEK CUSTOMER SERVICE FOR LATEST SPECIFICATIONS.