

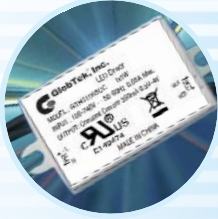
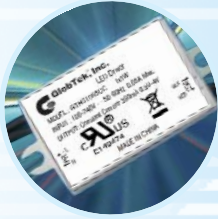


ISO 9001:2000
REGISTERED



LED Driver/Switching Power Supply, 1.4-3.7 Watt, Single Output, Constant Current, Wall Mount, Universal Input, UL 1310/EN 61347, Energy Star, CEC, EISA

Part Number Ordering System (See Page 302)
Output Plug/Cord Options (See Page 271)



ELECTRICAL SPECIFICATIONS:

INPUT VOLTAGE:
90 VAC TO 264 VAC

INPUT CURRENT:
<0.1 A RMS AT 115 VAC INPUT

INPUT FREQUENCY:
47 HZ - 63 HZ

OUTPUT CURRENT:
NO LOAD TO FULL LOAD, NO MINIMUM LOAD REQUIRED

OUTPUT POWER (RATED):
1.4-3.7 WATTS MAX

OUTPUT RIPPLE (PEAK TO PEAK):
1% TYPICAL

OUTPUT REGULATION (LINE/LOAD):
+5 % FOR MAIN OUTPUT, MEASURED AT O/P CONNECTOR

LINE REGULATION:
+2 % MAX AT FULL LOAD

TURN ON/ TURN OFF OVERSHOOT:
4% MAX 500uS MAX RECOVERY TIME FOR 25% STEP LOAD

TURN-ON DELAY:
2 SEC MAX

HOLD-UP TIME:
16 mSEC MIN AT NOMINAL INPUT AND FULL LOAD

INRUSH CURRENT:
3 A MAX AT COLD START FOR N.A. (40A FOR EURO)

EFFICIENCY:
60% MINIMUM @ 110-240V, 3X LED LOAD

SWITCHING FREQUENCY:
100 KHZ TYPICAL

OVER-VOLTAGE PROTECTION:
VOLTAGE LIMITED LESS 130% OF NOMINAL VOLTAGE

OVER-CURRENT / SHORT CIRCUIT:
HICCUP WITH AUTO RECOVERY TO 1.1 - 1.3 IO

OTHER PROTECTION:
INPUT FUSING

SAFETY APPROVALS (PENDING):
ITE MODEL: UL60950-1, CUL TO 22.2# 60950-1, INNOVA GS
UL 1310, cUL TO CSA C22.2 NO. 223, CE+, SIQ TO EN 61347,
CE CLASS I & II, PSE TO J60950, CCC TO GB4943-2001,
GB9254-1998, GB17625.1-2003, C-TICK TO AS/NZ 60950-1

DIELECTRIC WITHSTAND VOLTAGE:
2121VAC PRIMARY-SECONDARY; 1500 VAC PRIMARY-GROUND

LEAKAGE CURRENT:
≤3.5 mA

LINE SURGE:
EN 61000-4-5 LEVEL 4

EMI:
COMPLIES WITH EN55022 , CLASS B AND FCC PART 15
CLASS B WHEN TESTED WITH A RESISTIVE LOAD, BOTH
CONDUCTED AND RADIATED

C-TICK:
TESTED TO COMPLY WITH RADIO TELECOMMUNICATION ACT
OF 1992.

EFFICIENCY:
COMPLIES WITH ENERGY STAR TIER 2 (NORTH AMERICA),
CECP TIER 2 (CHINA), MEPS TIER 2 (AUSTRALIA),
CODE OF CONDUCT (EUROPE)

CE MARK:
TESTED TO COMPLY WITH EN61000-3-2 EN61000-3-3, AND
EN50082-1, INCLUDING EN61000-4-2, EN61000-4-3,
EN61000-4-4, EN61000-4-5, EN61000-4-6, EN61000-4-11,
LEVEL 4. UNIT IS ELIGIBLE FOR CE MARK.

MTBF:
GREATER THAN 200,000 HOURS AT 25°C AMBIENT
TEMPERATURE, OPERATING

TEMPERATURE:
0°C TO 40° C

INGRESS PROTECTION:
IP44

STORAGE TEMPERATURE:
-20°C TO 60° C

HUMIDITY:
5% TO 95% RELATIVE HUMIDITY

WEIGHT:
250 g

OUTPUT VOLTAGE / CURRENT:

MODEL NUMBER	OUTPUT VOLTAGE (VDC)	CONSTANT OUTPUT CURRENT (mA)	RATED OUTPUT POWER (W)
GTH51085CC-1404	+0.5 - 4	0 - 350*	0 - 1.4
GTH51085CC-3711	+0.5 - 10.5	0 - 350*	0 - 3.7
GTH51085CC-2804	+0.5 - 4	0 - 700*	0 - 2.8

*OUTPUT CURRENT MAY BE FACTORY SET BETWEEN
50-MAXIMUM LISTED O/P CURRENT

SPECIFICATIONS MAY CHANGE WITHOUT PRIOR NOTICE. CONSULT GLOBTEK CUSTOMER SERVICE FOR LATEST SPECIFICATIONS.



ISO 9001:2000 REGISTERED



LED Driver/Switching Power Supply, 1.4-3.7 Watt, Single Output, Constant Current, Wall Mount, Universal Input, UL 1310/EN 61347, Energy Star, CEC, EISA

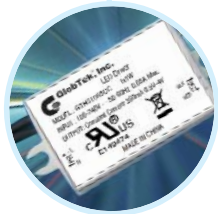
Part Number Ordering System (See Page 302)
Output Plug/Cord Options (See Page 271)



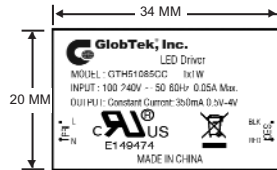
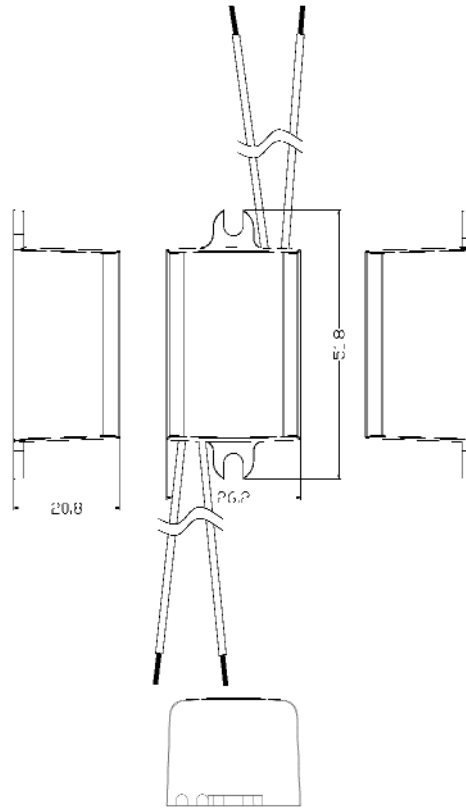
ENCLOSURE

CONFIGURATION:

HOUSING: HIGH IMPACT PLASTIC, 94V0 POLYCARBONATE, NON-VENTED, COLOR WHITE
SIZE: 51.8(L) x 26.2(W) x 20.8(H) + 1 mm



INPUT WIRES:
UL 1617 WIRE,
2 CONDUCTORS,
105°C, #24, WIRES,
STRIPPED & TINNED
INPUT:
BROWN = LINE,
BLUE = NEUTRAL
OUTPUT:
RED = +V
BLACK = -V
LENGTH WITH
WIRES = 270 MM



NOTE: FOR OTHER OUTPUT CONNECTOR OPTIONS,
SEE OUTPUT/PLUG/CORD OPTIONS PAGE.

