

ISO 9001:2000
REGISTERED**0-20 Watts, DC/DC Desktop Switchmode Power Supply,
Single Output Family 11-16 VDC Input, ITE, Class II**Part Number Ordering System (See Page 224)
Output Plug/Cord Options (See Page 189)**ELECTRICAL SPECIFICATIONS:****INPUT VOLTAGE:**

11-16 VDC

INPUT CURRENT:

< 2.7A (R.M.S.)

OUTPUT CURRENT:

NO LOAD TO FULL LOAD, NO MINIMUM LOAD REQUIRED

OUTPUT POWER (RATED):

23 WATTS MAX

OUTPUT RIPPLE (PEAK TO PEAK):

1% TYPICAL

OUTPUT REGULATION (LINE/LOAD):

± 5 % FOR MAIN OUTPUT, MEASURED AT O/P CONNECTOR

LINE REGULATION:

± 0.5 % MAX AT FULL LOAD

TURN ON/ TURN OFF OVERTHOOT:

4% MAX 500µs MAX RECOVERY TIME FOR 25% STEP LOAD

INRUSH CURRENT:

20 A MAX AT COLD START FOR N.A. (40A FOR EURO)

EFFICIENCY:

75 % TYPICAL

SWITCHING FREQUENCY:

100 KHZ TYPICAL

OVER-VOLTAGE PROTECTION:

VOLTAGE LIMITED LESS 130% OF NOMINAL VOLTAGE

OVER-CURRENT / SHORT CIRCUIT:

HICCUP WITH AUTO RECOVERY TO 1.1 - 1.3 IO

OTHER PROTECTION:

INPUT FUSING

SAFETY APPROVALS (PENDING):

ITE MODEL: UL60950, CUL TO 22.2 # 950, TUV GS EN60950

EMI: COMPLIES WITH EN55022 , CLASS B AND

FCC PART 15 CLASS B WHEN TESTED WITH A RESISTIVE

LOAD, BOTH CONDUCTED AND RADIATED

TESTED TO COMPLY WITH EN61000-3-2 EN61000-3-3, AND

EN50082-1, INCLUDING EN61000-4-2, EN61000-4-3, EN61000-

4-4, EN61000-4-5, EN61000-4-6, EN61000-4-11, LEVEL 4.

MTBF:GREATER THAN 200,000 HOURS AT 25°C AMBIENT
TEMPERATURE**OPERATING TEMPERATURE:**

0°C TO 40° C

STORAGE TEMPERATURE:

-40°C TO 80° C

HUMIDITY:

0% TO 90% RELATIVE HUMIDITY

WEIGHT:

165 g

MODEL NUMBER CODE:

GT-2: INTERNAL CODE; D: ITE MODELDC INPUT

1088: FAMILY ENCLOSURE DESIGNATION;

L(M,H): I/P VOLTAGE (NOM.): L:12V(10~15VDC);

M:24V(18~36VDC); H:48V(36~72VDC)

0803 TO 2010: O/P POWER/VOLTAGE

NOTES:

1. -: ITE MODEL OR (M): MEDICAL MODEL
2. EACH OUTPUT CURRENT CAN VARY WITHIN ITS DESIGNATION RANGE., AS LONG AS THE OUTPUT POWER IS NOT EXCEEDED.
3. SINGLE OUTPUT UNITS ARE AVAILABLE FROM 3.3V UP TO 48V IN 0.1V INCREMENTS.
4. X.X.: OPTIONAL FOR SPECIFYING OUTPUT VOLTAGE DEVIATION FROM STANDARD MODEL: SUBTRACTING X.X. VOLTS FROM STANDARD OUTPUT VOLTAGE.

OUTPUT VOLTAGE / CURRENT:

CLASS II MODELS, DOUBLE INSULATED, T2

MODEL NUMBER	OUTPUT VOLTAGE (VDC)	OUTPUT CURRENT (A)	RATED OUTPUT POWER (W)
GTD21088L-0803-T2	+ 3.30	0 - 2.50	0 - 9
GTD21088L-1105-T2	+ 5.0	0 - 2.20	0 - 11
GTD21088L-1505-T2	+ 5.0	0 - 3.0	0 - 15
GTD21088L-1806-T2	+ 6.0	0 - 3.0	0 - 18
GTD21088L-1207-T2	+ 7.50	0 - 1.50	0 - 12
GTD21088L-1907-T2	+ 7.50	0 - 2.50	0 - 19
GTD21088L-2309-T2	+ 9.0	0 - 2.50	0 - 23
GTD21088L-2010-T2	+ 10.0	0 - 2.0	0 - 20

SPECIFICATIONS MAY CHANGE WITHOUT PRIOR NOTICE. CONSULT GLOBTEK CUSTOMER SERVICE FOR LATEST SPECIFICATIONS.





ISO 9001:2000
REGISTERED

GTD21088L SERIES-20W



0-20 Watts, DC/DC Desktop Switchmode Power Supply, Single Output Family 11-16 VDC Input, ITE, Class II

Part Number Ordering System (See Page 224)
Output Plug/Cord Options (See Page 189)



ENCLOSURE: DESKTOP, DUAL CORD

HOUSING: HIGH IMPACT PLASTIC, 94VO POLYCARBONATE, NON-VENTED, COLOR BLACK

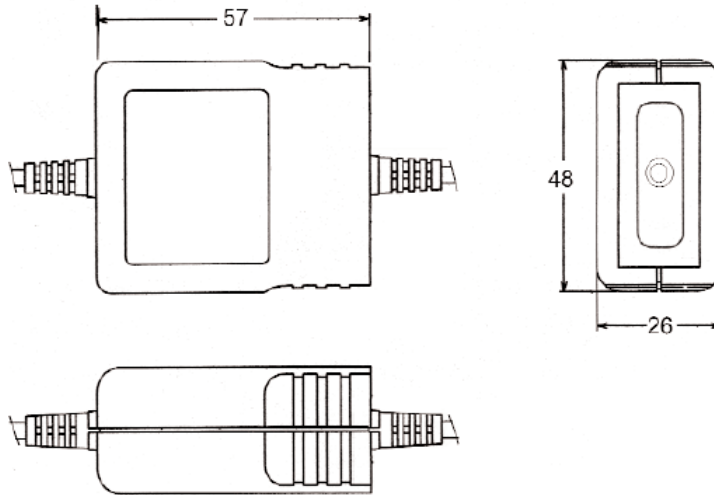


SIZE:

57 x 48 x 26 + 1mm

INPUT CONNECTOR:

2 CONDUCTOR, 18AWG STRANDED
WIRE, FLAT UL VW-1 RATED UL
2464 CORD TYPE, COLOR BLACK,
LENGTH OF CORD: 1830 + 50mm.
CORD IS MEASURED FROM THE
HOUSING TO THE END OF OVER-
MOLD OF THE CONNECTOR.
CABLE MARKED WITH WIRE
GAUGE, AND ALL APPLICABLE RAT-
ING AND SAFETY APPROVALS.



INPUT CONNECTOR:

OPTION # 1:

CAR MALE CIGARETTE LIGHTER DC
POWER PLUG (+,-) TIP POSITIVE WITH
5A/125V SLO-BLO FUSE

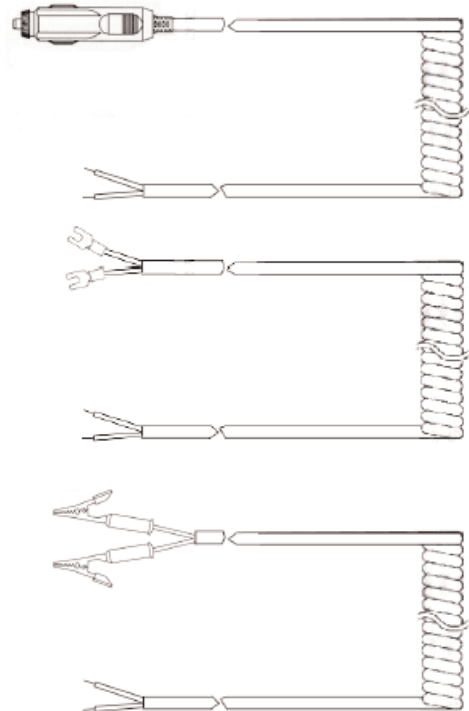
OPTION # 2:

SPADE TONGUE TERMINAL 0.25" FAST
ON SOFT INSULATION TYPE

INPUT CONNECTOR:

OPTION # 3:

ALLIGATOR CLIPS



SPECIFICATIONS MAY CHANGE WITHOUT PRIOR NOTICE. CONSULT GLOBTEK CUSTOMER SERVICE FOR LATEST SPECIFICATIONS.