



ISO 9001:2000
REGISTERED

GT221097 SERIES-50W



0-50 Watts, Desktop Universal Input, Class 2 Power Unit, Single Output Family

Part Number Ordering System (See Page 224)
Output Plug/Cord Options (See Page 189)



FOR INDOOR USE ONLY

ELECTRICAL SPECIFICATIONS:

INPUT VOLTAGE:
90 VAC TO 132 VAC

INPUT CURRENT:
≤ 1.6 A RMS AT 90 VAC INPUT

INPUT FREQUENCY:
57 HZ - 63 HZ

OUTPUT CURRENT:
NO MINIMUM LOAD REQUIRED

OUTPUT POWER (RATED):
50 WATTS MAX

OUTPUT RIPPLE (PEAK TO PEAK):
≤ 1% TYPICAL

OUTPUT REGULATION (LINE/LOAD):
+ 5 % FOR MAIN OUTPUT, MEASURED AT O/P CONNECTOR

LINE REGULATION:
± 0.5 % MAX AT FULL LOAD

TURN ON / TURN OFF OVERSHOOT:
4% MAX 500µs MAX RECOVERY TIME FOR 25% STEP LOAD

TURN-ON DELAY:
1 SEC MAX

HOLD-UP TIME:
16 mSEC MIN AT NOMINAL INPUT AND FULL LOAD

INRUSH CURRENT:
20 A MAX AT COLD START FOR N.A. (40A FOR EURO)

EFFICIENCY:
75 % TYPICAL

SWITCHING FREQUENCY:
100 KHZ TYPICAL

OVER-VOLTAGE PROTECTION:
VOLTAGE LIMITED LESS 130% OF NOMINAL VOLTAGE

OVER-CURRENT / SHORT CIRCUIT:
HICCUP WITH AUTO RECOVERY TO 1.1 - 1.3 IO

OTHER PROTECTION:
INPUT FUSING

SAFETY APPROVALS (PENDING):

UL 1310, CUL TO 22.2 # 223-M91, PSE TO J60950, CLASS I

DIELECTRIC WITHSTAND VOLTAGE:

1500VAC PRIMARY-SECONDARY; 1500 VAC
PRIMARY -GROUND

LEAKAGE CURRENT:

≤ 500µA AT 264 VAC INPUT

LINE SURGE:

EN 61000-4-5 LEVEL 4

EMI:

COMPLIES WITH EN55022 AND EN55011, CLASS B AND FCC
PART 15 CLASS B WHEN TESTED WITH A RESISTIVE LOAD,
BOTH CONDUCTED AND RADIATED

CE MARK:

EN55011, Group 1, Class B, EN55022 Class B, EN55011, Group
1, Class B; EN55024 / EN60601-1-2 / IEC 61000-4-3:2002;
EN55024 / EN60601-1-2 / IEC 61000-4-6:2001 ; EN55024 /
EN60601-1-2 / IEC 61000-4-8:2001; EN55024 / EN60601-1-2 /
IEC 61000-4-11:2001; EN55024 / EN60601-1-2 / IEC 61000-4-
4:2001; EN55024 / EN60601-1-2 / IEC 61000-4-2:2001; EN55024
/ EN60601-1-2 / IEC 61000-4-5:2001; EN55024 / EN 61000-3-3
A1: 2001 / EN 61000-3-3 A1: 2001; EN55024 / EN 61000-3-
2:2001 / EN 61000-3-2:2001. UNIT IS ELIGIBLE FOR CE MARK.

MTBF:

GREATER THAN 200,000 HOURS AT 25° C AMBIENT
TEMPERATURE

OPERATING TEMPERATURE:

0° C TO 40° C

STORAGE TEMPERATURE:

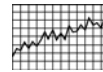
-40° C TO 80° C

HUMIDITY:

0% TO 90% RELATIVE HUMIDITY

NOTES:

1. DIMENSIONS ARE IN MM UNLESS SPECIFIED OTHERWISE.



SEE APPENDIX "E" FOR ELECTRICAL
PERFORMANCE CURVES

OUTPUT VOLTAGE / CURRENT:

MODEL NUMBER	OUTPUT VOLTAGE (VDC)	OUTPUT CURRENT (A)	RATED OUTPUT POWER (W)
GT221097-2003	+3.3	0 - 6.0	0 - 20
GT221097-3005-1.0	+4.0	0 - 6.0	0 - 24
GT221097-3005-X.X	+5.0	0 - 6.0	0 - 30
GT221097-4509-3.0	+6.0	0 - 5.0	0 - 30
GT221097-4509-2.0	+7.0	0 - 5.0	0 - 35
GT221097-4509-1.0	+8.0	0 - 5.0	0 - 40
GT221097-4509-X.X	+9.0	0 - 5.0	0 - 45
GT221097-5012-2.0	+10.0	0 - 5.0	0 - 50
GT221097-5012-1.0	+11.0	0 - 4.5	0 - 50
GT221097-5012-X.X	+12.0	0 - 4.17	0 - 50
GT221097-5015-2.0	+13.0	0 - 3.8	0 - 50
GT221097-5015-1.2	+13.8	0 - 3.6	0 - 50
GT221097-5015-1.0	+14.0	0 - 3.5	0 - 50
GT221097-5015-X.X	+15.0	0 - 3.3	0 - 50
GT221097-5018-X.X	+18.0	0 - 2.8	0 - 50
GT221097-5024-4.0	+20.0	0 - 2.5	0 - 50
GT221097-5024-X.X	+24.0	0 - 2.1	0 - 50
GT221097-5048-18.0	+30.0	0 - 1.7	0 - 50
GT221097-5048-12.0	+36.0	0 - 1.4	0 - 50
GT221097-5048-X.X	+48.0	0 - 1.1	0 - 50



ISO 9001:2000
REGISTERED



**0-50 Watts, Desktop Universal Input, Class 2 Power Unit,
Single Output Family**

Part Number Ordering System (See Page 224)
Output Plug/Cord Options (See Page 189)



FOR INDOOR USE ONLY

ENCLOSURES

HOUSING: HIGH IMPACT PLASTIC, 94V0 POLYCARBONATE, NON-VENTED, COLOR BLACK



DESKTOP CLASS I: T3

SIZE:

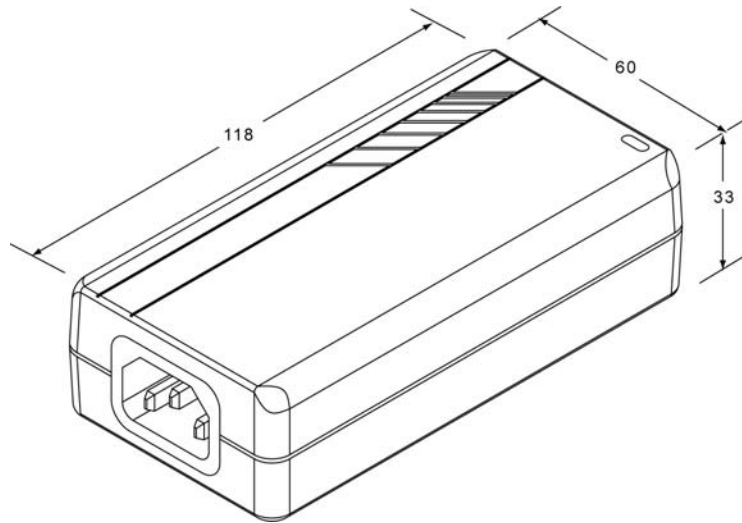
119 X 60 X 32 ± 1 mm

INPUT CONNECTOR:

CONFIGURATION:

CLASS 1

MODEL IEC60320 / C14, AC POWER
RECEPTACLE WITH
3 MALE PINS



INDICATOR:
GREEN LED, OUTPUT PRESENT



SPECIFICATIONS MAY CHANGE WITHOUT PRIOR NOTICE. CONSULT GLOBTEK CUSTOMER SERVICE FOR LATEST SPECIFICATIONS.