



ISO 9001:2000
REGISTERED

GT-A81051 SERIES-5W



0-5 Watts, Wall Plug-In, N.A., European, U.K., Australian Input, Single Output Family, ITE Power Adapter, Class II

Part Number Ordering System (See Page 224)
Output Plug/Cord Options (See Page 189)



ELECTRICAL SPECIFICATIONS

INPUT VOLTAGE:

U= 90-264 VAC; N= 90-130 VAC; E = 180-264VAC

INPUT CURRENT:

< 0.2 A RMS AT 90 VAC INPUT

INPUT FREQUENCY:

47 - 63 HZ

OUTPUT CURRENT:

NO MINIMUM LOAD REQUIRED

OUTPUT POWER (RATED):

5 WATTS MAX SWITCHING FREQUENCY

OUTPUT RIPPLE (PEAK TO PEAK):

3V-5V MODELS 2% TYPICAL

6V-13V MODELS 1% TYPICAL

OUTPUT REGULATION (LINE/LOAD):

± 5 % FOR MAIN OUTPUT, MEASURED AT O/P CONNECTOR

LINE REGULATION:

± 2.0 % MAX AT FULL LOAD

TURN ON/ TURN OFF OVERSHOOT:

4% MAX 500µS MAX RECOVERY TIME FOR 25% STEP LOAD

TURN-ON DELAY:

2000 mSEC MAX

HOLD-UP TIME:

5 m SEC MIN AT NOMINAL INPUT AND FULL LOAD

INRUSH CURRENT:

20 A MAX AT COLD START N.A.

SWITCHING FREQUENCY:

100 KHZ TYPICAL

OVER-VOLTAGE PROTECTION:

VOLTAGE LIMITED LESS 130% OF NOMINAL VOLTAGE

OVER-CURRENT / SHORT CIRCUIT:

HICCUP WITH AUTO RECOVERY TO 1.1 - 1.3 IO

OTHER PROTECTION:

INPUT FUSING

SAFETY APPROVALS:

UL60950, CUL TO 22.2# 950, TUV TO EN60950, PSE TO J60950
CE CLASS I & II

DIELECTRIC WITHSTAND VOLTAGE:

4242VDC (3000VAC) PRIMARY-SECONDARY

LEAKAGE CURRENT:

≤ 0.25 mA

LINE SURGE:

EN 61000-4-5 LEVEL 4

EMI:

COMPLIES WITH EN55022 CLASS B AND
FCC PART 15 CLASS B WHEN TESTED WITH A RESISTIVE
LOAD, BOTH CONDUCTED AND RADIATED.

CE MARK:

TESTED TO COMPLY WITH EN61000-3-2
EN61000-3-3 AND EN50082-1, INCLUDING
EN61000-4-2, EN61000-4-3, EN61000-4-4, EN61000-4-5,
EN61000-4-6, EN61000-4-11, LEVEL 4. UNIT IS
ELIGIBLE FOR CE MARK.

MTBF:

GREATER THAN 200,000 HOURS AT 25°C AMBIENT
TEMPERATURE.

OPERATING TEMPERATURE:

0° C TO 40° C

STORAGE TEMPERATURE:

-40° C TO 80° C

HUMIDITY:

0% TO 90% RELATIVE HUMIDITY

MODEL NUMBER DESCRIPTION:

MODEL GT-A81051-05(XX)(-Y.Y)W2(-,E, A, U)

WHERE: A81051-05: SERIES CODE

XX = DENOTES RATED VOLTAGE

(-Y.Y) = DENOTES VOLT AGE DIFFERENTIATOR

(U,N,E) = INPUT VOLTAGE RANGE

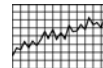
(U=90-264V, N= 90-130V, E= 180-264V)

NOTE: U & N = UL,CUL,CE MARKED ; U & E = CE, TUV
MARKED (-,E,A,U) = BLADE CONFIGURATION; "- US BLADE,
"E"-EUROPEAN BLADE, "A"-AUSTRALIAN BLADE, "U"-UK
BLADES

CONSTANT CURRENT CURRENT LIMIT: OPTIONAL; FOR BATTERY CHARGER APPLICATIONS

NOTES:

- EACH OUTPUT CURRENT MAY VARY WITHIN ITS DESIGNATION RANGE, AS LONG AS OUTPUT POWER IS NOT EXCEEDED.
- OUTPUTS MAY VARY FROM 3VDC-13VDC IN 0.1V INCREMENTS
- (-Y.Y) OPTIONAL FOR SPECIFYING OUTPUT VOLTAGE DEVIATION FROM LISTED RATINGS. SUBTRACT Y.Y FROM RATED VOLTAGE.



SEE APPENDIX "A" FOR ELECTRICAL
PERFORMANCE CURVES

OUTPUT VOLTAGE / CURRENT:

NORTH AMERICAN BLADE CONFIGURATION

MODEL NUMBER	OUTPUT VOLTAGE (VDC)	OUTPUT CURRENT (mA)	RATED OUTPUT POWER (W)
GT-A81051-0503 (-Y.Y) (U,N,E) W2 (-,E,A,U)	3.0	0-1000	0 - 3
GT-A81051-0505-1.0 (U,N,E) W2 (-,E,A,U)	4.0	0-1000	0 - 4
GT-A81051-0505 (-Y.Y) (U,N,E) W2 (-,E,A,U)	5.0	0-1000	0 - 5
GT-A81051-0507-1.0 (U,N,E) W2 (-,E,A,U)	6.0	0-833	0 - 5
GT-A81051-0507 (-Y.Y) (U,N,E) W2 (-,E,A,U)	7.0	0-714	0 - 5
GT-A81051-0513-5.0 (U,N,E) W2 (-,E,A,U)	8.0	0-625	0 - 5
GT-A81051-0513-4.0 (U,N,E) W2 (-,E,A,U)	9.0	0-555	0 - 5
GT-A81051-0513-3.0 (U,N,E) W2 (-,E,A,U)	10.0	0-500	0 - 5
GT-A81051-0513-2.0 (U,N,E) W2 (-,E,A,U)	11.0	0-454	0 - 5
GT-A81051-0513-1.0 (U,N,E) W2 (-,E,A,U)	12.0	0-416	0 - 5
GT-A81051-0513X (U,N,E) W2 (-,E,A,U)	13.0	0-385	0 - 5

SPECIFICATIONS MAY CHANGE WITHOUT PRIOR NOTICE. CONSULT GLOBTEK CUSTOMER SERVICE FOR LATEST SPECIFICATIONS.



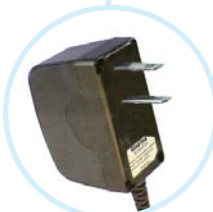
0-5 Watts, Wall Plug-In, N.A., European, U.K., Australian Input, Single Output Family, ITE Power Adapter, Class II

Part Number Ordering System (See Page 224)
Output Plug/Cord Options (See Page 189)



ENCLOSURES

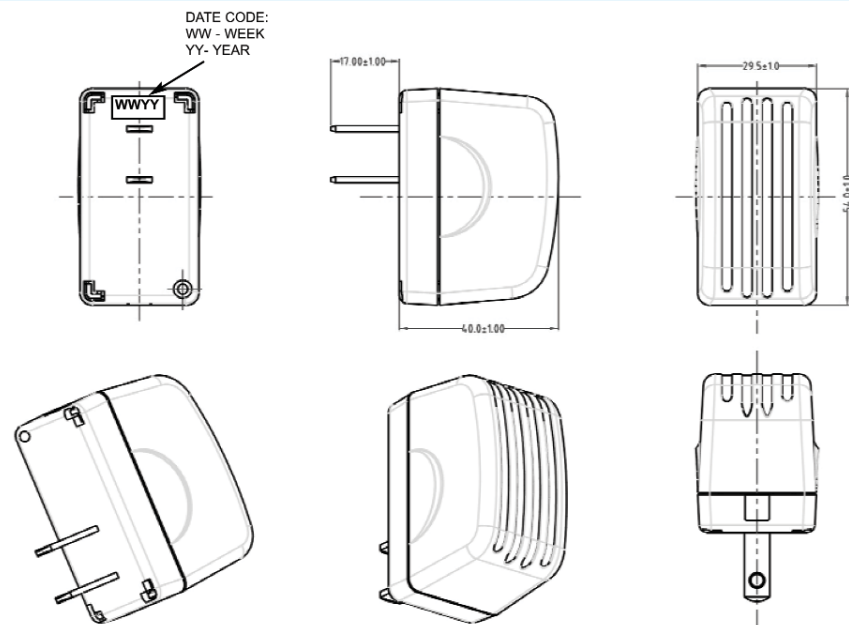
HOUSING: HIGH IMPACT PLASTIC, 94V0 POLYCARBONATE, NON-VENTED, COLOR BLACK, CUSTOMER SPECIFIED COLOR AVAILABLE UPON REQUEST.



NORTH AMERICA (W2)

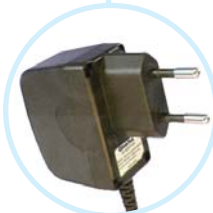
SIZE:
54.0 x 29.5 x 40.0 ± 1 mm

INPUT CONNECTOR:
CONFIGURATION:
NEMA 1-15/JIS 8303 CLASS II
WITH 2 BLADES



DATE CODE:
WW - WEEK
YY - YEAR

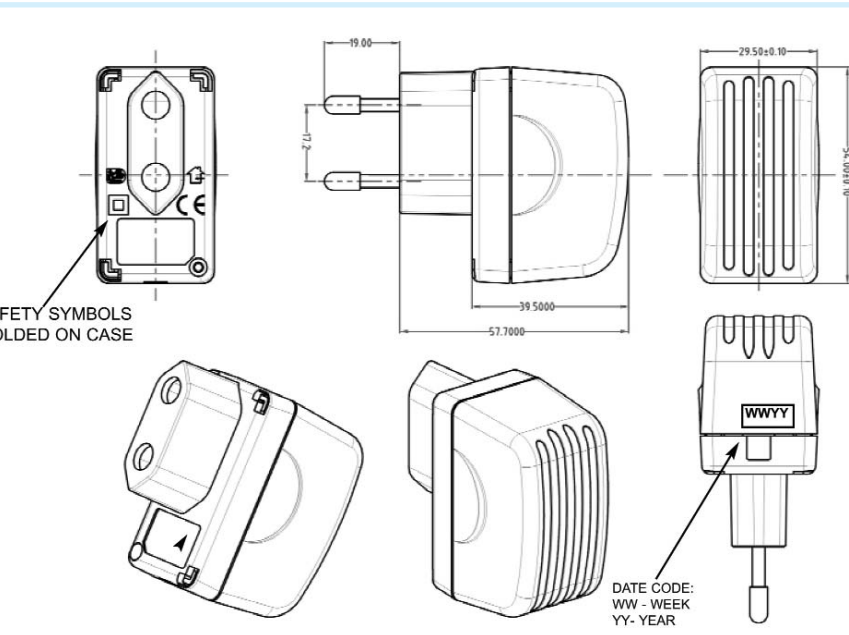
STANDARD MODEL



EUROPEAN (W2E)

SIZE:
54.0 x 29.0 x 39.5 ± 1 mm

INPUT CONNECTOR:
CONFIGURATION:
EURO PLUG CEE7/16,
CLASS II

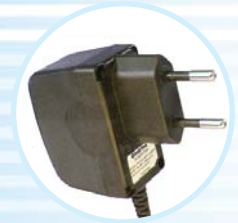


SAFETY SYMBOLS
MOLDED ON CASE

DATE CODE:
WW - WEEK
YY - YEAR

STANDARD MODEL

SPECIFICATIONS MAY CHANGE WITHOUT PRIOR NOTICE. CONSULT GLOBTEK CUSTOMER SERVICE FOR LATEST SPECIFICATIONS.





ISO 9001:2000
REGISTERED

GT-A8105 1SERIES-5W



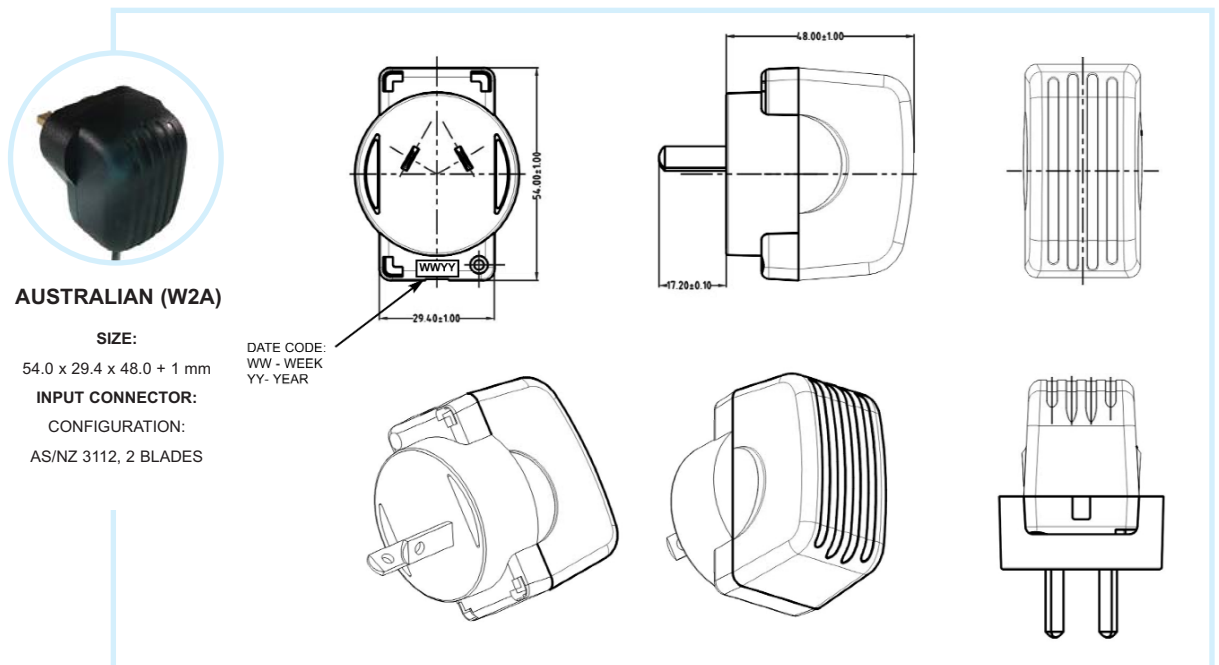
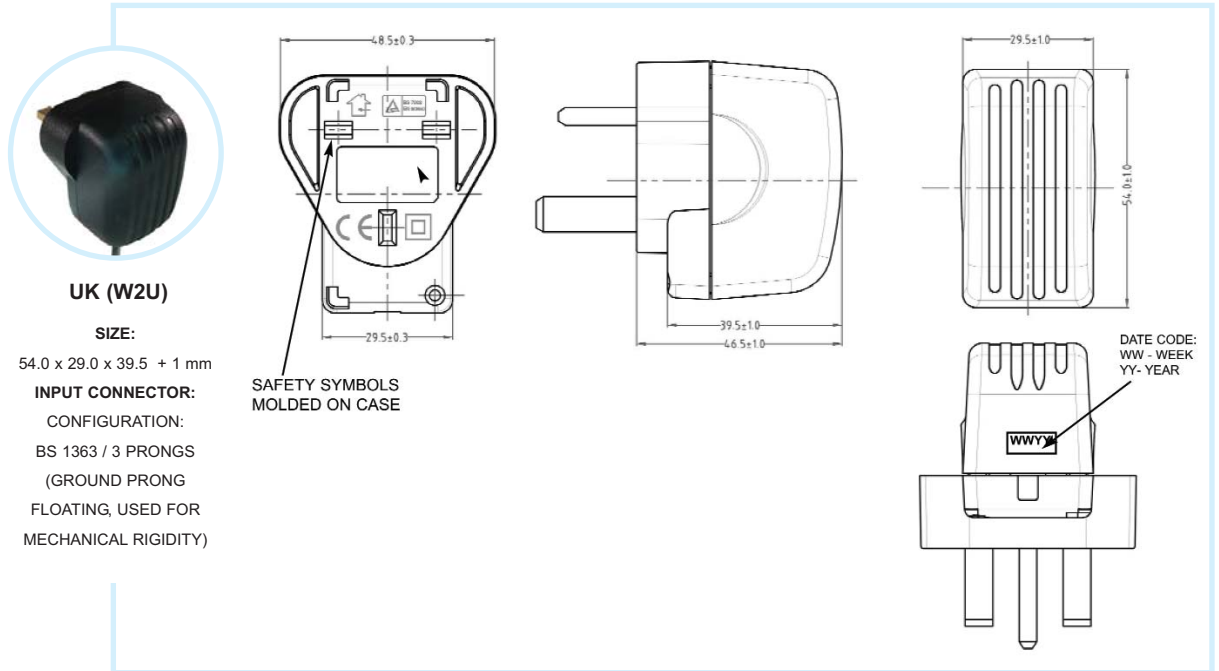
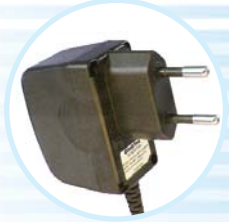
0-5 Watts, Wall Plug-In, N.A., European, U.K., Australian Input, Single Output Family, ITE Power Adapter, Class II

Part Number Ordering System (See Page 224)
Output Plug/Cord Options (See Page 189)



ENCLOSURES

HOUSING: HIGH IMPACT PLASTIC, 94V0 POLYCARBONATE, NON-VENTED, COLOR BLACK, CUSTOMER SPECIFIED COLOR AVAILABLE UPON REQUEST.



SPECIFICATIONS MAY CHANGE WITHOUT PRIOR NOTICE. CONSULT GLOBTEK CUSTOMER SERVICE FOR LATEST SPECIFICATIONS.