



ISO 9001:2008  
REGISTERED

GT-91085



**Power over Ethernet (PoE) Active Injector/Midspan  
IEEE 802.3AF Compliant**



**ELECTRICAL SPECIFICATIONS:**

**INPUT VOLTAGE:**  
90-264 VAC, 50-60 HZ

**INPUT CURRENT:**  
<0.4 A@110 VAC

**OUTPUT VOLTAGE:**  
-48 VDC

**OUTPUT CURRENT:**  
0.32 A

**MINIMUM LOAD:**  
NONE REQUIRED

**LOAD REGULATION:**  
± 5% MAXIMUM

**LINE REGULATION:**  
±1% MAXIMUM

**RIPPLE:**  
2% MAXIMUM (DC TO 20MHZ TERMINATED WITH A 47UF CAPACITOR AND 0.1UF MPE CAPACITOR OF PROPER POLARITY)

**NOISE:**  
5% MAXIMUM (DC TO 20MHZ TERMINATED WITH A 47UF CAPACITOR AND 0.1UF MPE CAPACITOR OF PROPER POLARITY)

**OPERATION FREQUENCY:**  
100KHZ (MIN)

**EFFICIENCY:**  
78% MIN @-48VIN DC

**PROTECTION:**

SHORT CIRCUIT PROTECTION: AUTORECOVERY WITHOUT DAMAGE TO PSU

**CURRENT LIMITS:**  
150% RATED CURRENT MAXIMUM

**ISOLATION VOLTAGE:**  
3000 VDC

**ISOLATION RESISTANCE:**  
100 MOHMS (MIN)

**THERMAL:**  
INTERNALLY PROTECTED AGAINST OVER-TEMPERATURE CONDITIONS

**INTEROPERABILITY:**  
COMPLIES WITH IEEE 802.3 AF, TESTED BY UNH-IOL

**EMI:**  
DESIGNED TO MEET FCC CLASS B , EN55022 CLASS B STANDARD

**SAFETY:**  
DESIGNED TO MEET UL/EN/IEC 60950-1

**OPERATION TEMPERATURE:**  
-0 - +60 DEGREE

**STORAGE TEMPERATURE:**  
-10 - +70 DEGREE

**OPERATION HUMIDITY:**  
5% - 90% RH

**COOLING:**  
CONVECTION COOLING

**OUTPUT VOLTAGE / CURRENT:  
CLASS II WITH FUNCTIONAL EARTH ITE MODEL OUTPUT RATING**

MODEL NUMBER CLASS I MODEL OUTPUT RATING	OUTPUT VOLTAGE (VDC)	OUTPUT CURRENT (A)	RATED OUTPUT POWER (W)
GT-91085-1548	+48.0	0.32	0 - 15
	+DATA		

SPECIFICATIONS MAY CHANGE WITHOUT PRIOR NOTICE. CONSULT GLOBTEK CUSTOMER SERVICE FOR LATEST SPECIFICATIONS.



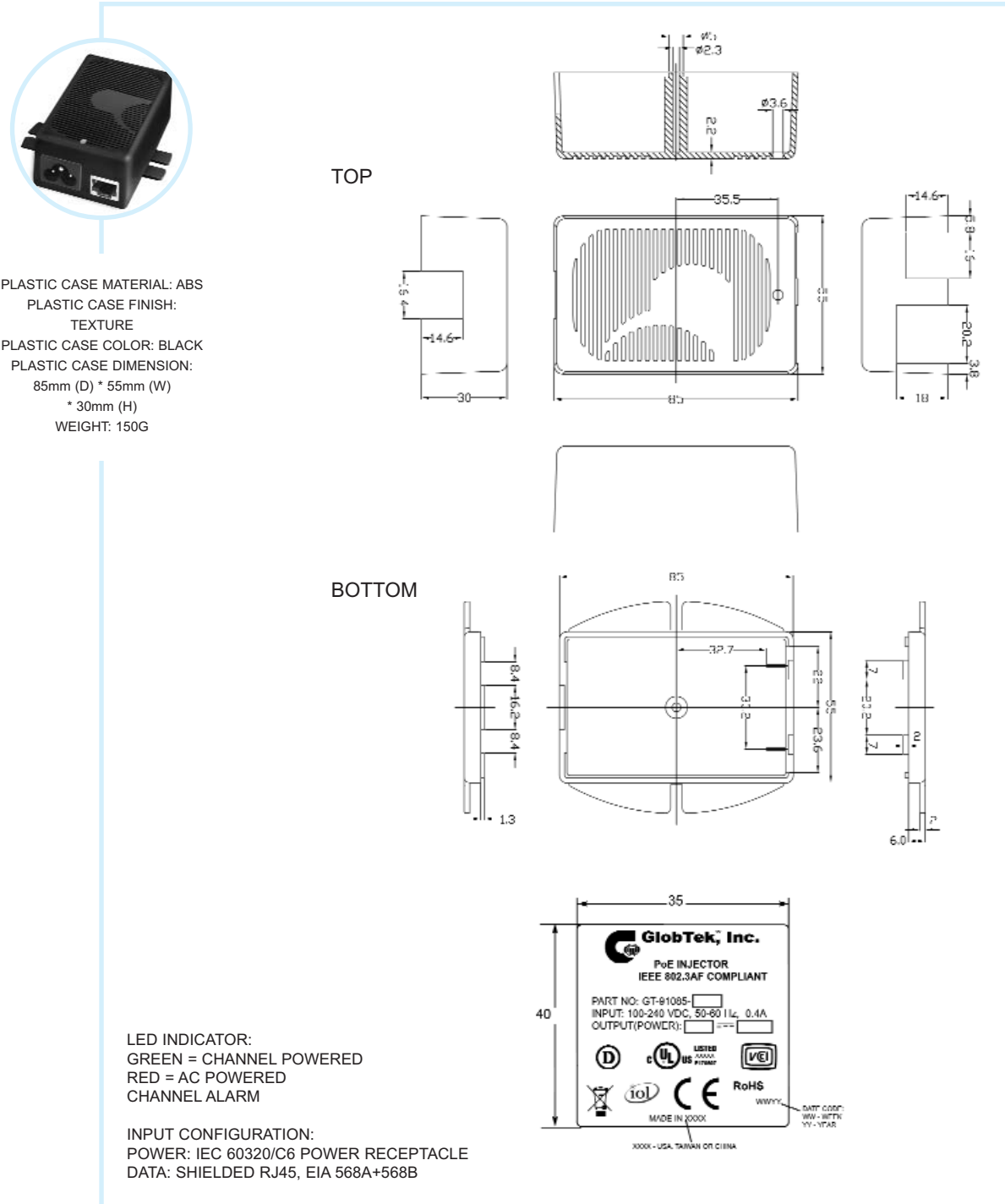
**Power over Ethernet (PoE) Active Injector/Midspan  
IEEE 802.3AF Compliant**



**ENCLOSURE**

**MECHANICAL SPECIFICATIONS:**

HIGH IMPACT PLASTIC, 94V0 POLYCARBONATE, NON-VENTED, COLOR BLACK



SPECIFICATIONS MAY CHANGE WITHOUT PRIOR NOTICE. CONSULT GLOBTEK CUSTOMER SERVICE FOR LATEST SPECIFICATIONS.