



ISO 9001:2008
REGISTERED



**PoE Splitter with Isolation,
IEEE 802.3AF Compliant**



ELECTRICAL SPECIFICATIONS:

INPUT VOLTAGE:
DC-36V TO DC-60V (-48VDC NOMINAL)

UNDER VOLTAGE LOCKOUT:
-30VDC

MINIMUM LOAD:
NONE REQUIRED

LOAD REGULATION:
± 5%

LINE REGULATION:
±1%

RIPPLE :
2% MAXIMUM (DC TO 20MHZ TERMINATED WITH A 47UF CAPACITOR AND 0.1UF MPE CAPACITOR OF PROPER POLARITY)

NOISE:
5% MAXIMUM (DC TO 20MHZ TERMINATED WITH A 47UF CAPACITOR AND 0.1UF MPE CAPACITOR OF PROPER POLARITY)

EFFICIENCY :
78% MIN @-48VIN DC

SHORT CIRCUIT PROTECTION:
AUTORECOVERY WITHOUT DAMAGE TO PSU

CURRENT LIMIT:
IO*1.5 MAX

ISOLATION VOLTAGE :
1000 VDC

ISOLATION RESISTANCE :
100 MOHMS (MIN)

EMI:
DESIGNED TO MEET FCC CLASS B , EN55022 CLASS B STANDARD

SAFETY:
DESIGNED TO MEET UL/EN/IEC 60950-1 (INPUT POWER SOURCE OR POE INJECTOR SHOULD BE EN/IEC/UL 60950-1 CERTIFIED)

OPERATION TEMPERATURE:
-0 - +60 DEGREE

STORAGE TEMPERATURE:
-10 - +70 DEGREE

OPERATION HUMIDITY:
5% - 90% RH

COOLING:
CONVECTION COOLING

NOTE:
1.PINS 7 AND 8(-VDC) SHOULD NOT BE SHORTED TO GROUND.
2. MODE B (CISCO, NON-802.3AF) CONFIGURATION IS ALSO AVAILABLE.

OUTPUT VOLTAGE / CURRENT:

MODEL NUMBER	OUTPUT VOLTAGE (VDC)	OUTPUT CURRENT (A)	RATED OUTPUT POWER (W)
GT-91080-0812	+12.0	0.67	0 - 8
GT-91080-0815	+15.0	0.53	0 - 8
GT-91080-0818	+18.0	0.44	0 - 8
GT-91080-0820	+20.0	0.40	0 - 8
GT-91080-0822	+22.0	0.36	0 - 8
GT-91080-0824	+24.0	0.5A	0 - 12

SPECIFICATIONS MAY CHANGE WITHOUT PRIOR NOTICE. CONSULT GLOBTEK CUSTOMER SERVICE FOR LATEST SPECIFICATIONS.

**PoE Splitter with Isolation,
IEEE 802.3AF Compliant**

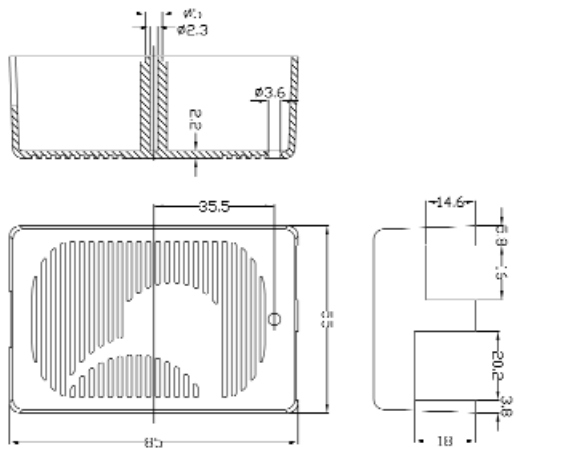


ENCLOSURE

CONFIGURATION:

HIGH IMPACT PLASTIC, 94VO POLYCARBONATE, NON-VENTED COLOR GRAY

PLASTIC CASE MATERIAL: ABS
PLASTIC CASE FINISH: TEXTURE
PLASTIC CASE COLOR: BLACK
PLASTIC CASE DIMENSION: 85MM (D)
* 55MM (W) * 30MM (H)
WEIGHT: 110G



LED INDICATOR:

GREEN = DC POWER GOOD

OUTPUT CORD DC

POWERPLUG (POWER):

1 CONDUCTOR + SHIELD, 18

AWG STANDARD WIRE,

ROUND # 1185, COLOR GRAY,

LENGTH: 300 +50,-0 MM.

CORD IS MEASURED FROM

THE HOUSING

TO THE END OF OVERMOLD

OF THE CONNECTOR. CABLE

IS TO BE MARKED WITH

WIRE GAUGE, AND ALL

APPLICABLE RATING AND

SAFETY APPROVALS.

OUTPUT CONNECTOR:

STANDARD, STRAIGHT

FEMALE BARREL, 5.5 X 2.5 X

11 MM, (SPRING LOADED

WITH LOCKING NOTCH),

CENTER POSITIVE:

OUTPUT CORD RJ45 PLUG

(DATA): 8 CONDUCTOR , CAT-

5 UTP OR BETTER (350 MHZ),

COLOR GRAY, LENGTH: 300

+50,-0 MM. CORD IS

MEASURED FROM THE

HOUSING TO

THE END OF OVERMOLD OF

THE CONNECTOR. CABLE IS

TO BE MARKED WITH WIRE

GAUGE, AND ALL APPLICA-

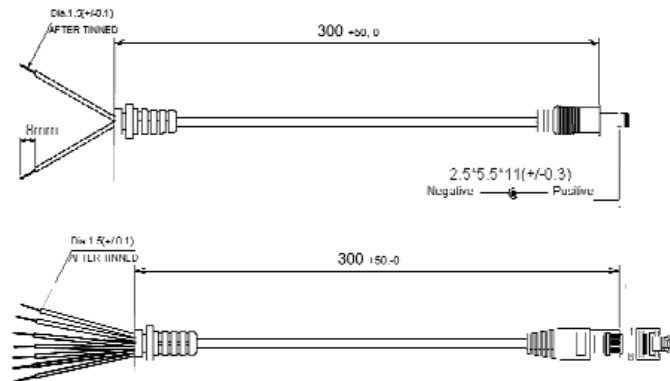
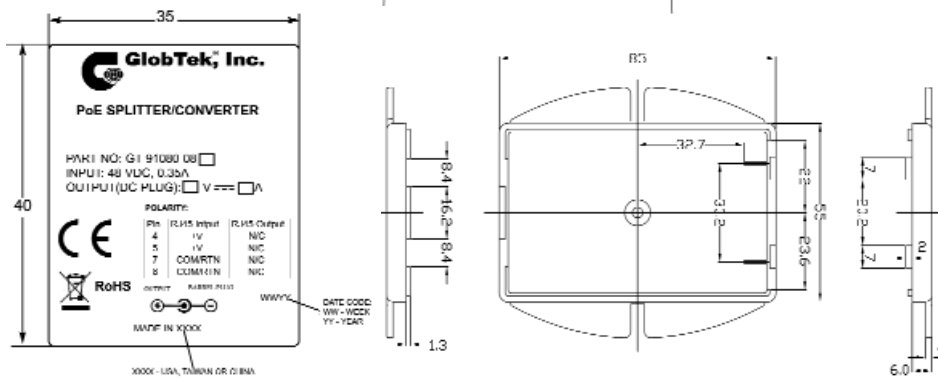
BLE RATING AND SAFETY

APPROVALS.

OUTPUT CONNECTOR:

RJ45, 8P8C

BOTTOM



SPECIFICATIONS MAY CHANGE WITHOUT PRIOR NOTICE. CONSULT GLOBTEK CUSTOMER SERVICE FOR LATEST SPECIFICATIONS.