



ISO 9001:2000
REGISTERED

15 Watt Low-Profile Wall Plug-In, Single Output, 5-24 VDC Switching Power Supply: N.A., Universal Input, ITE, Class II, Energy Star



ELECTRICAL SPECIFICATIONS:

INPUT VOLTAGE:
90 VAC TO 264 VAC

INPUT CURRENT:
< 0.5A RMS AT 90 VAC INPUT

INPUT FREQUENCY:
47 HZ - 63 HZ

OUTPUT VOLTAGE:
SEE TABLE BELOW

OUTPUT CURRENT:
2.5 M mA MAXIMUM, DEPENDING ON OUTPUT VOLTAGE,
NO MINIMUM LOAD REQUIRED

OUTPUT POWER (RATED):
15 WATTS MAX

OUTPUT RIPPLE VOLTAGE (PEAK TO PEAK):
+/-1% OR 90 mV MAX,WHICHEVER IS GREATER AT NOMINAL
OUTPUT VOLTAGE. MEASURED AT 20 MHz BANDWIDTH WITH
0.1µf CERAMIC CAPACITOR IN PARALLEL WITH 10µf ELEC-
TROLYTIC CAPACITOR CONNECTED AT THE END OF THE
OUTPUT CONNECTOR.

OUTPUT REGULATION (LINE/LOAD):
± 5 % FOR MAIN OUTPUT, MEASURED AT O/P CONNECTOR

LINE REGULATION:
± 2% MAX AT FULL LOAD

TURN ON/ TURN OFF OVERTHOOT:
± 5% MAX 500µS MAX RECOVERY TIME FOR 25% STEP LOAD

TURN-ON DELAY:
1 SEC TYPICAL

HOLD-UP TIME:
5 mSEC MIN AT NOMINAL INPUT AND FULL LOAD

EFFICIENCY AVERAGE:
CEC LEVEL IV 74% MIN. AT NOMINAL LINE

NO LOAD POWER CONSUMPTION:
COMPLIES WITH ENERGY STAR TIER 2 (NORTH AMERICA)
AND ENERGY INDEPENDENCE AND SECURITY ACT (EISA)
SECTION 301

SWITCHING FREQUENCY:
50 KHz TYPICAL

OVER-VOLTAGE PROTECTION:
PROTECTED, UNIT WILL AUTO-RECOVER UPON REMOVAL
OF FAULT

OVER-CURRENT/SHORT CIRCUIT:
PROTECTED, UNIT WILL AUTO-RECOVER UPON REMOVAL
OF FAULT

OTHER PROTECTION:

INPUT FUSING

SAFETY APPROVALS (PENDING):
UL60950-1:2003, 1-st ED., CUL TO 22.2 # 60950-1:2003,
1-st ED., CE CLASS II, CB

DIELECTRIC WITHSTAND VOLTAGE:
4242 VDC PRIMARY-SECONDARY; 2121 VDC PRIMARY -
GROUND

LEAKAGE CURRENT:
≤ 0.25 mAAT 264 VAC INPUT

EMI:
COMPLIES WITH EN55022, CLASS B AND FCC PART 15
CLASS B WHEN TESTED WITH A RESISTIVE LOAD, BOTH
CONDUCTED AND RADIATED

CE MARK:
TESTED TO COMPLY WITH EN61000-3-2 EN61000-3-3, AND
EN50082-1, INCLUDING EN61000-4-2, EN61000-4-3,
EN61000-4-4, EN61000-4-5, EN61000-4-6, EN61000-4-11

EFFICIENCY:
COMPLIES TO SECTION 301 OF ENERGY INDEPENDENCE
AND SECURITY ACT (EISA) COMPLIES WITH ENERGY STAR
TIER 2 (NORTH AMERICA), CECP TIER 2 (CHINA), MEPS TIER
2 (AUSTRALIA), CODE OF CONDUCT (EUROPE)
5.1 ~ 6.9V WITH 1000 mm CABLE ONLY

MTBF:
200,000 HOURS AT 25°C AMBIENT TEMPERATURE

OPERATING TEMPERATURE:
0°C TO 40° C

STORAGE TEMPERATURE:
-20°C TO 60° C

HUMIDITY:
5% TO 95% RELATIVE HUMIDITY

RoHS:
COMPLIES WITH EU 2002/95/EC AND CHINA SJ/T 11363-2006

NOTES:

1. EACH OUTPUT CURRENT AND POWER CAN VARY WITHIN ITS DESIGNATED RANGE AS LONG AS THE MAXIMUM CURRENT AND OUTPUT POWER ARE NOT EXCEEDED
2. -X.X: OPTIONAL FOR SPECIFYING OUTPUT VOLTAGE DEVIATION FROM THE STANDARD BASE MODEL.
3. -W2: STANDARD US WALL PLUG IN MODEL WITH NEMA 1-15P PLUG CONFIGURATION.

OUTPUT VOLTAGE / CURRENT:

MODEL NUMBER	OUTPUT VOLTAGE (VDC)	OUTPUT CURRENT (A)	RATED OUTPUT POWER (W)
GT-81085-1507.5-2.5-X.X-W2	5.0	0 - 2.5	0 - 15
GT-81085-1507.5-1.5-X.X-W2	6.0	0 - 2.16	0 - 15
GT-81085-1507.5-W2	7.5	0 - 1.73	0 - 15
GT-81085-1513.5-4.5-X.X-W2	9.0	0 - 1.50	0 - 15
GT-81085-1513.5-1.5-X.X-W2	12.0	0 - 1.25	0 - 15
GT-81085-1513.5-W2	13.5	0 - 1.11	0 - 15
GT-81085-1516.6-W2	15.0	0 - 1.00	0 - 15
GT-81085-1224.5-W2	24.0	0 - 0.50	0 - 15

SPECIFICATIONS MAY CHANGE WITHOUT PRIOR NOTICE. CONSULT GLOBTEK CUSTOMER SERVICE FOR LATEST SPECIFICATIONS.



ISO 9001:2000
REGISTERED



15 Watt Low-Profile Wall Plug-In, Single Output, 5-24 VDC Switching Power Supply: Euro., Universal Input, ITE, Class II, Energy Star



ELECTRICAL SPECIFICATIONS:

INPUT VOLTAGE:

90 VAC TO 264 VAC

INPUT CURRENT:

< 0.5A RMS AT 90 VAC INPUT

INPUT FREQUENCY:

47 HZ - 63 HZ

OUTPUT VOLTAGE:

SEE TABLE BELOW

OUTPUT CURRENT:

2.5 M mA MAXIMUM, DEPENDING ON OUTPUT VOLTAGE,
NO MINIMUM LOAD REQUIRED

OUTPUT POWER (RATED):

15 WATTS MAX

OUTPUT RIPPLE VOLTAGE (PEAK TO PEAK):

+/-1% OR 90 mV MAX,WHICHEVER IS GREATER AT NOMINAL
OUTPUT VOLTAGE. MEASURED AT 20 MHz BANDWIDTH WITH
0.1µf CERAMIC CAPACITOR IN PARALLEL WITH 10µf ELEC-
TROLYTIC CAPACITOR CONNECTED AT THE END OF THE
OUTPUT CONNECTOR.

OUTPUT REGULATION (LINE/LOAD):

± 5 % FOR MAIN OUTPUT, MEASURED AT O/P CONNECTOR

LINE REGULATION:

± 2% MAX AT FULL LOAD

TURN ON/ TURN OFF OVERSHOOT:

± 5% MAX 500µS MAX RECOVERY TIME FOR 25% STEP LOAD

TURN-ON DELAY:

1 SEC TYPICAL

HOLD-UP TIME:

5 mSEC MIN AT NOMINAL INPUT AND FULL LOAD

EFFICIENCY AVERAGE:

CEC LEVEL IV 74% MIN. AT NOMINAL LINE

NO LOAD POWER CONSUMPTION:

COMPLIES WITH ENERGY STAR TIER 2 (NORTH AMERICA)
AND ENERGY INDEPENDENCE AND SECURITY ACT (EISA)
SECTION 301

SWITCHING FREQUENCY:

50 KHz TYPICAL

OVER-VOLTAGE PROTECTION:

PROTECTED, UNIT WILL AUTO-RECOVER UPON REMOVAL
OF FAULT

OVER-CURRENT/SHORT CIRCUIT:

PROTECTED, UNIT WILL AUTO-RECOVER UPON REMOVAL
OF FAULT

OTHER PROTECTION:

INPUT FUSING

SAFETY APPROVALS (PENDING):

UL60950-1:2003, 1-st ED., CUL TO 22.2 # 60950-1:2003,
1-st ED., CE CLASS II, CB

DIELECTRIC WITHSTAND VOLTAGE:

4242 VDC PRIMARY-SECONDARY; 2121 VDC PRIMARY -
GROUND

LEAKAGE CURRENT:

≤ 0.25 mAAT 264 VAC INPUT

EMI:

COMPLIES WITH EN55022, CLASS B AND FCC PART 15
CLASS B WHEN TESTED WITH A RESISTIVE LOAD, BOTH
CONDUCTED AND RADIATED

CE MARK:

TESTED TO COMPLY WITH EN61000-3-2 EN61000-3-3, AND
EN50082-1, INCLUDING EN61000-4-2, EN61000-4-3,
EN61000-4-4, EN61000-4-5, EN61000-4-6, EN61000-4-11

EFFICIENCY:

COMPLIES TO SECTION 301 OF ENERGY INDEPENDENCE
AND SECURITY ACT (EISA) COMPLIES WITH ENERGY STAR
TIER 2 (NORTH AMERICA), CECP TIER 2 (CHINA), MEPS TIER
2 (AUSTRALIA), CODE OF CONDUCT (EUROPE)
5.1 ~ 6.9V WITH 1000 mm CABLE ONLY

MTBF:

200,000 HOURS AT 25°C AMBIENT TEMPERATURE

OPERATING TEMPERATURE:

0°C TO 40° C

STORAGE TEMPERATURE:

-20°C TO 60° C

HUMIDITY:

5% TO 95% RELATIVE HUMIDITY

RoHS:

COMPLIES WITH EU 2002/95/EC AND CHINA SJ/T 11363-2006

NOTES:

1. EACH OUTPUT CURRENT AND POWER CAN VARY WITHIN ITS DESIGNATED RANGE AS LONG AS THE MAXIMUM CURRENT AND OUTPUT POWER ARE NOT EXCEEDED
2. -X.X: OPTIONAL FOR SPECIFYING OUTPUT VOLTAGE DEVAITION FROM THE STANDARD BASE MODEL.
3. -W2E: STANDARD EURO WALL PLUG IN MODEL WITH CEE 7/16 PLUG CONFIGURATION.

OUTPUT VOLTAGE / CURRENT:

MODEL NUMBER	OUTPUT VOLTAGE (VDC)	OUTPUT CURRENT (A)	RATED OUTPUT POWER (W)
GT-81085-1507.5-2.5-X.X-W2E	5.0	0 - 2.5	0 - 15
GT-81085-1507.5-1.5-X.X-W2E	6.0	0 - 2.16	0 - 15
GT-81085-1507.5-W2E	7.5	0 - 1.73	0 - 15
GT-81085-1513.5-4.5-X.X-W2E	9.0	0 - 1.50	0 - 15
GT-81085-1513.5-1.5-X.X-W2E	12.0	0 - 1.25	0 - 15
GT-81085-1513.5-W2E	13.5	0 - 1.11	0 - 15
GT-81085-1516.6-W2E	15.0	0 - 1.00	0 - 15
GT-81085-1224.5-W2E	24.0	0 - 0.50	0 - 15

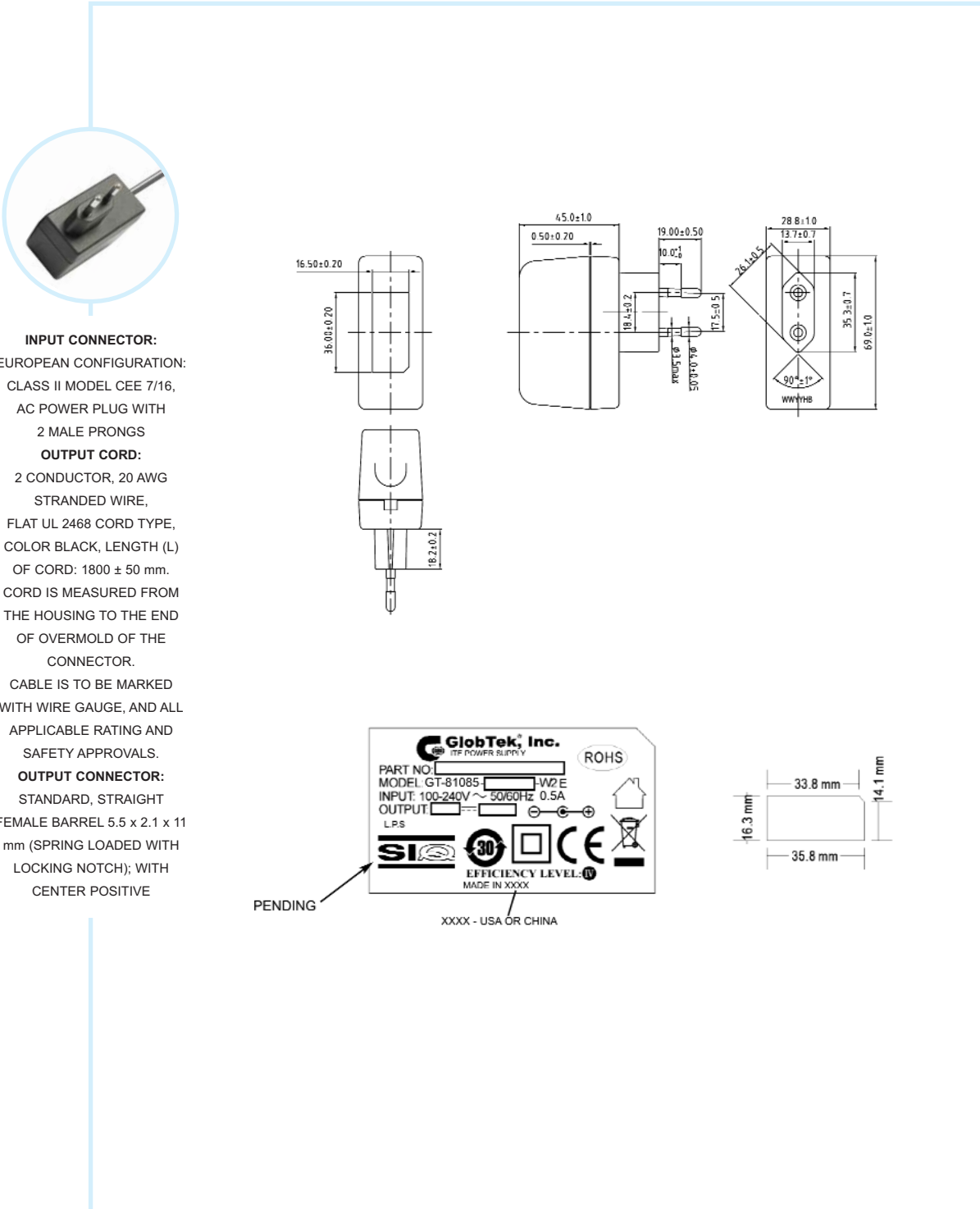
SPECIFICATIONS MAY CHANGE WITHOUT PRIOR NOTICE. CONSULT GLOBTEK CUSTOMER SERVICE FOR LATEST SPECIFICATIONS.



15 Watt Low-Profile Wall Plug-In, Single Output, 5-24 VDC Switching Power Supply: Euro., Universal Input, ITE, Class II, Energy Star

ENCLOSURE:

LOWER HOUSING: HIGH IMPACT PLASTIC, 94VO POLYCARBONATE, NON-VENTED, COLOR BLACK
 SIZE: 69.0 x 28.8 x 45.0 + 1mm



SPECIFICATIONS MAY CHANGE WITHOUT PRIOR NOTICE. CONSULT GLOBTEK CUSTOMER SERVICE FOR LATEST SPECIFICATIONS.



ISO 9001:2000
REGISTERED



15 Watt Low-Profile Wall Plug-In, Single Output, 5-24 VDC Switching Power Supply: UK., Universal Input, ITE, Class II, Energy Star



ELECTRICAL SPECIFICATIONS:

INPUT VOLTAGE:

90 VAC TO 264 VAC

INPUT CURRENT:

< 0.5A RMS AT 90 VAC INPUT

INPUT FREQUENCY:

47 HZ - 63 HZ

OUTPUT VOLTAGE:

SEE TABLE BELOW

OUTPUT CURRENT:

2.5 M mA MAXIMUM, DEPENDING ON OUTPUT VOLTAGE,
NO MINIMUM LOAD REQUIRED

OUTPUT POWER (RATED):

15 WATTS MAX

OUTPUT RIPPLE VOLTAGE (PEAK TO PEAK):

+/-1% OR 90 mV MAX,WHICHEVER IS GREATER AT NOMINAL
OUTPUT VOLTAGE. MEASURED AT 20 MHz BANDWIDTH WITH
0.1µf CERAMIC CAPACITOR IN PARALLEL WITH 10µf ELEC-
TROLYTIC CAPACITOR CONNECTED AT THE END OF THE
OUTPUT CONNECTOR.

OUTPUT REGULATION (LINE/LOAD):

± 5 % FOR MAIN OUTPUT, MEASURED AT O/P CONNECTOR

LINE REGULATION:

± 2% MAX AT FULL LOAD

TURN ON/ TURN OFF OVERTHOOT:

± 5% MAX 500µS MAX RECOVERY TIME FOR 25% STEP LOAD

TURN-ON DELAY:

1 SEC TYPICAL

HOLD-UP TIME:

5 mSEC MIN AT NOMINAL INPUT AND FULL LOAD

EFFICIENCY AVERAGE:

CEC LEVEL IV 74% MIN. AT NOMINAL LINE

NO LOAD POWER CONSUMPTION:

COMPLIES WITH ENERGY STAR TIER 2 (NORTH AMERICA)
AND ENERGY INDEPENDENCE AND SECURITY ACT (EISA)
SECTION 301

SWITCHING FREQUENCY:

50 KHz TYPICAL

OVER-VOLTAGE PROTECTION:

PROTECTED, UNIT WILL AUTO-RECOVER UPON REMOVAL
OF FAULT

OVER-CURRENT/SHORT CIRCUIT:

PROTECTED, UNIT WILL AUTO-RECOVER UPON REMOVAL
OF FAULT

OTHER PROTECTION:

INPUT FUSING

SAFETY APPROVALS (PENDING):

SIQ TO EN 60950 FOR CLASS II, CE CLASS II, CB

DIELECTRIC WITHSTAND VOLTAGE:

4242 VDC PRIMARY-SECONDARY; 2121 VDC PRIMARY -
GROUND

LEAKAGE CURRENT:

≤ 0.25 mA AT 264 VAC INPUT

EMI:

COMPLIES WITH EN55022, CLASS B AND FCC PART 15
CLASS B WHEN TESTED WITH A RESISTIVE LOAD, BOTH
CONDUCTED AND RADIATED

CE MARK:

TESTED TO COMPLY WITH EN61000-3-2 EN61000-3-3, AND
EN50082-1, INCLUDING EN61000-4-2, EN61000-4-3, EN61000-4-
4, EN61000-4-5, EN61000-4-6, EN61000-4-11

EFFICIENCY:

COMPLIES TO SECTION 301 OF ENERGY INDEPENDENCE
AND SECURITY ACT (EISA) COMPLIES WITH ENERGY STAR
TIER 2 (NORTH AMERICA), CECP TIER 2 (CHINA), MEPS TIER
2 (AUSTRALIA), CODE OF CONDUCT (EUROPE) 5.1 ~ 6.9V
WITH 1000 mm CABLE ONLY

MTBF:

200,000 HOURS AT 25°C AMBIENT TEMPERATURE

OPERATING TEMPERATURE:

0°C TO 40° C

STORAGE TEMPERATURE:

-20°C TO 60° C

HUMIDITY:

5% TO 95% RELATIVE HUMIDITY

RoHS:

COMPLIES WITH EU 2002/95/EC AND CHINA SJ/T 11363-2006

NOTES:

1. EACH OUTPUT CURRENT AND POWER CAN VARY WITHIN ITS DESIGNATED RANGE AS LONG AS THE MAXIMUM CURRENT AND OUTPUT POWER ARE NOT EXCEEDED
2. SINGLE OUTPUT VOLTAGES ARE AVAILABLE FROM 5.0 TO 7.5V AND FROM 9.0 TO 13.5V.
3. -X.X: OPTIONAL FOR SPECIFYING OUTPUT VOLTAGE DEVIATION FROM THE STANDARD BASE MODEL.
4. -W2U: STANDARD UK WALL PLUG IN MODEL WITH BS1363 PLUG CONFIGURATION

OUTPUT VOLTAGE / CURRENT:

MODEL NUMBER	OUTPUT VOLTAGE (VDC)	OUTPUT CURRENT (A)	RATED OUTPUT POWER (W)
GT-81085-1507.5-2.5-X.X-W2U	5.0	0 - 2.5	0 - 15
GT-81085-1507.5-1.5-X.X-W2U	6.0	0 - 2.16	0 - 15
GT-81085-1507.5-W2U	7.5	0 - 1.73	0 - 15
GT-81085-1513.5-4.5-X.X-W2U	9.0	0 - 1.50	0 - 15
GT-81085-1513.5-1.5-X.X-W2U	12.0	0 - 1.25	0 - 15
GT-81085-1513.5-W2U	13.5	0 - 1.11	0 - 15
GT-81085-1516.6-W2U	15.0	0 - 1.00	0 - 15
GT-81085-1224.5-W2U	24.0	0 - 0.50	0 - 15

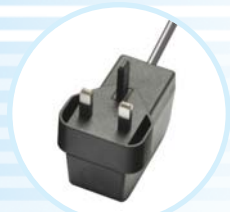
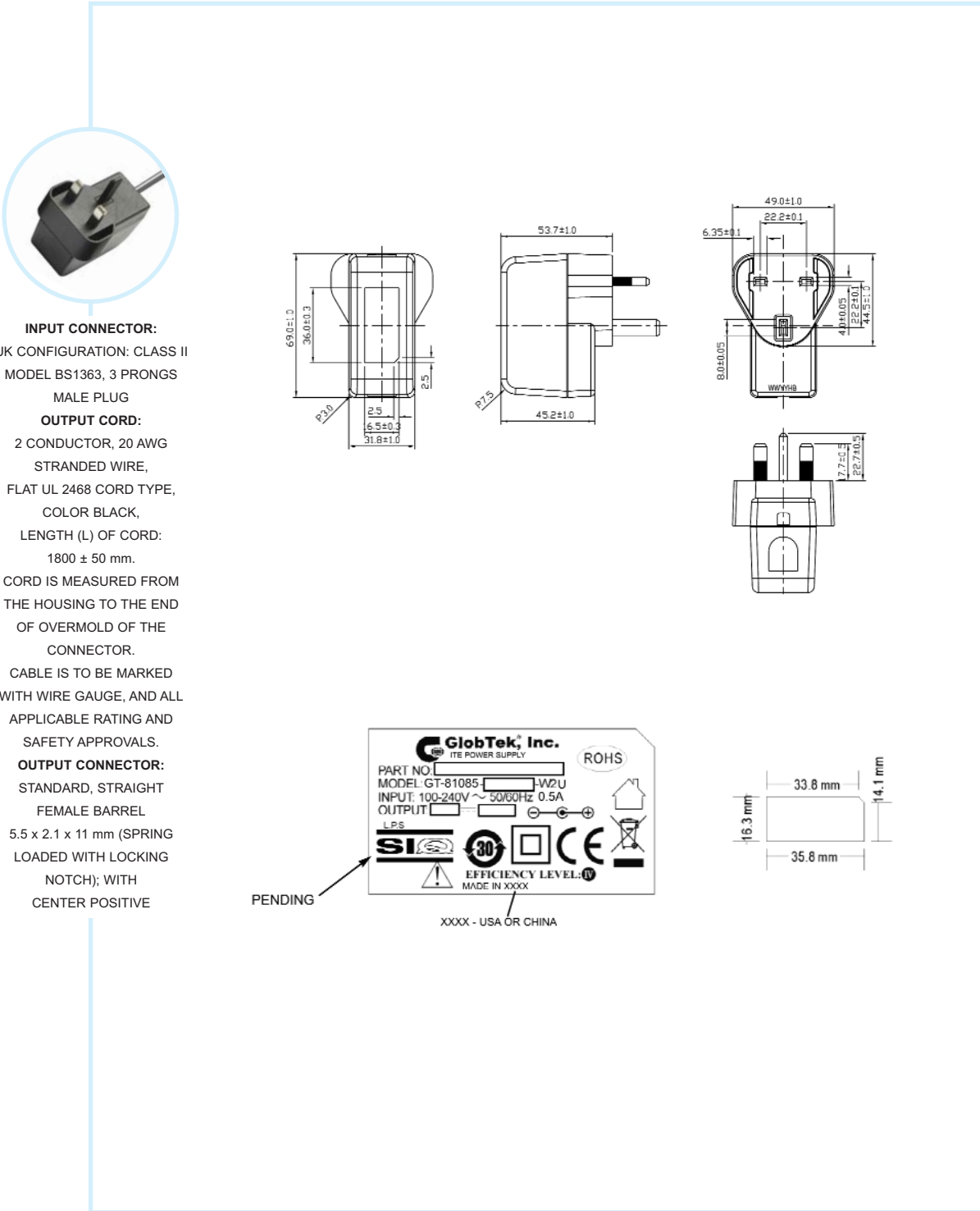
SPECIFICATIONS MAY CHANGE WITHOUT PRIOR NOTICE. CONSULT GLOBTEK CUSTOMER SERVICE FOR LATEST SPECIFICATIONS.



15 Watt Low-Profile Wall Plug-In, Single Output, 5-24 VDC Switching Power Supply: UK., Universal Input, ITE, Class II, Energy Star

ENCLOSURE:

LOWER HOUSING: HIGH IMPACT PLASTIC, 94VO POLYCARBONATE, NON-VENTED, COLOR BLACK
SIZE: 69.0 x 49.0 x 53.7 + 1mm



SPECIFICATIONS MAY CHANGE WITHOUT PRIOR NOTICE. CONSULT GLOBTEK CUSTOMER SERVICE FOR LATEST SPECIFICATIONS.