



ISO 9001:2000  
REGISTERED

GT-81081-YYZZ-X.X



**Switching Power Supply, 60 Watt, Single Output,  
Family Desktop, Universal Input, ITE Class I & II, Energy Star**



**ELECTRICAL SPECIFICATIONS:**

**INPUT VOLTAGE:**

90 VAC TO 264 VAC

**INPUT CURRENT:**

<1.5 A RMS AT 115 VAC INPUT

**INPUT FREQUENCY:**

47 HZ - 63 HZ

**OUTPUT CURRENT:**

NO LOAD TO FULL LOAD, NO MINIMUM LOAD REQUIRED

**OUTPUT POWER (RATED):**

60 WATTS MAX

**OUTPUT RIPPLE (PEAK TO PEAK):**

1% TYPICAL

**OUTPUT REGULATION (LINE/LOAD):**

+5 % FOR MAIN OUTPUT, MEASURED AT O/P CONNECTOR

**LINE REGULATION:**

+2 % MAX AT FULL LOAD

**TURN ON/ TURN OFF OVERSHOOT:**

4% MAX 500uS MAX RECOVERY TIME FOR 25% STEP LOAD

**TURN-ON DELAY:**

2 SEC MAX

**HOLD-UP TIME:**

16 mSEC MIN AT NOMINAL INPUT AND FULL LOAD

**INRUSH CURRENT:**

20 A MAX AT COLD START FOR N.A. (40A FOR EURO)

**EFFICIENCY:**

84 % MINIMUM

**SWITCHING FREQUENCY:**

100 KHZ TYPICAL

**OVER-VOLTAGE PROTECTION:**

VOLTAGE LIMITED LESS 130% OF NOMINAL VOLTAGE

**OVER-CURRENT / SHORT CIRCUIT:**

HICCUP WITH AUTO RECOVERY TO 1.1 - 1.3 IO

**OTHER PROTECTION:**

INPUT FUSING

**SAFETY APPROVALS (PENDING):**

ITE MODEL: UL60950-1, CUL TO 22.2# 60950-1, INNOVA GS EN60950-1, CE CLASS I & II, PSE TO J60950, CCC TO GB4943-2001, GB9254-1998, GB17625.1-2003, C-TICK TO AS/NZ 60950-1

**DIELECTRIC WITHSTAND VOLTAGE:**

2121VAC PRIMARY-SECONDARY;1500 VAC PRIMARY-GROUND

**LEAKAGE CURRENT:**

≤3.5 mA

**LINE SURGE:**

EN 61000-4-5 LEVEL 4

**EMI:**

COMPLIES WITH EN55022 , CLASS B AND FCC PART 15 CLASS B WHEN TESTED WITH A RESISTIVE LOAD, BOTH CONDUCTED AND RADIATED

**C-TICK:**

TESTED TO COMPLYW/RADIO TELECOMMUNICATION ACT OF 1992.

**EFFICIENCY:**

COMPLIES WITH ENERGY STAR TIER 2 (NORTH AMERICA), CECP TIER 2 (CHINA), MEPS TIER 2 (AUSTRALIA), CODE OF CONDUCT (EUROPE)

**CE MARK:**

TESTED TO COMPLY WITH EN61000-3-2 EN61000-3-3, AND EN50082-1, INCLUDING EN61000-4-2, EN61000-4-3, EN61000-4-4, EN61000-4-5, EN61000-4-6, EN61000-4-11, LEVEL 4. UNIT IS ELIGIBLE FOR CE MARK.

**MTBF:**

GREATER THAN 200,000 HOURS AT 25°C AMBIENT TEMPERATURE, OPERATING

**TEMPERATURE:**

0°C TO 40° C

**STORAGE TEMPERATURE:**

-20°C TO 60° C

**HUMIDITY:**

5% TO 95% RELATIVE HUMIDITY

**WEIGHT:**

250 g

**NOTES:**

1. -: ITE MODEL
2. EACH OUTPUT CURRENT CAN VARY WITHIN ITS DESIGNATION RANGE, AS LONG AS THE OUTPUT POWER IS NOT EXCEEDED.
3. SINGLE OUTPUT UNITS ARE AVAILABLE FROM 12V UP TO 24V IN 0.1V INCREMENTS.
4. B.B: OPTIONAL FOR SPECIFYING OUTPUT VOLTAGE DEVIATION FROM STANDARD MODEL: SUBTRACTING B.B VOLTS FROM STANDARD OUTPUT VOLTAGE.
5. CDE: T3 FOR IEC 60320/C14 INLET, T3A FOR IEC 60320/C6 INLET.

**OUTPUT VOLTAGE / CURRENT:  
60 WATTS MODELS**

MODEL NUMBER	OUTPUT VOLTAGE (VDC)	OUTPUT CURRENT (A)	RATED OUTPUT POWER (W)
GT-81081-6012	+12.0	0 - 5.00	0 - 60
GT-81081-6015-B.B-CDE	+15.0	0 - 4.00	0 - 60
GT-81081-6018-B.B-CDE	+18.0	0 - 3.30	0 - 60
GT-81081-6019-B.B-CDE	+19.0	0 - 3.16	0 - 60
GT-81081-6020-B.B-CDE	+20.0	0 - 3.00	0 - 60
GT-81081-6022-B.B-CDE	+22.0	0 - 2.70	0 - 60
GT-81081-6024-B.B-CDE	+24.0	0 - 2.50	0 - 60

OUTPUT VOLTAGES AVAILABLE IN 0.1V FROM 5-48 VDC.

CDE = T2 = CLASS II INPUT, IEC 60320/C8

T3 = CLASS I, IEC 60320/C14

T3A = CLASS I, IEC 60320/C6

SPECIFICATIONS MAY CHANGE WITHOUT PRIOR NOTICE. CONSULT GLOBTEK CUSTOMER SERVICE FOR LATEST SPECIFICATIONS.



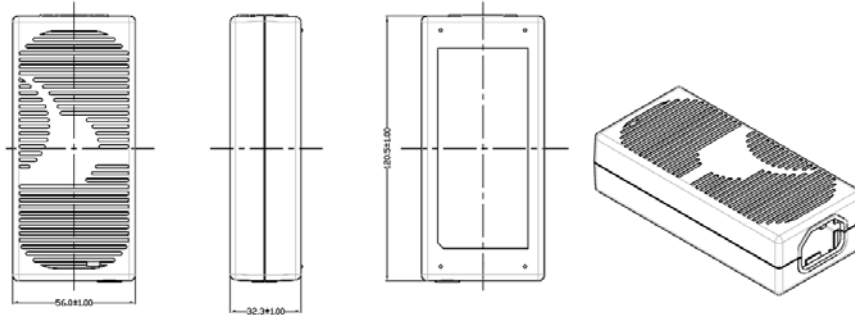
**Switching Power Supply, 60 Watt, Single Output, Family Desktop, Universal Input, ITE Class I & II, Energy Star**



**ENCLOSURE**

**CONFIGURATION:**

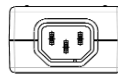
HOUSING: HIGH IMPACT PLASTIC, 94V0 POLYCARBONATE, NON-VENTED, COLOR BLACK  
 SIZE: 120.5(L) x 56.0(W) x 32.3(H) + 1 mm



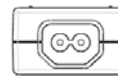
T3A TYPE:



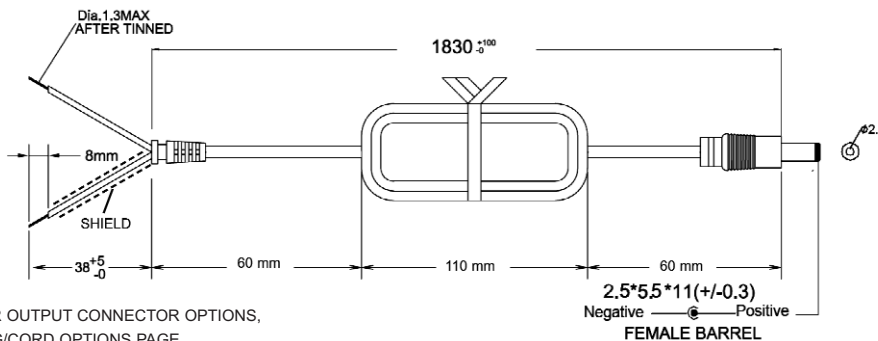
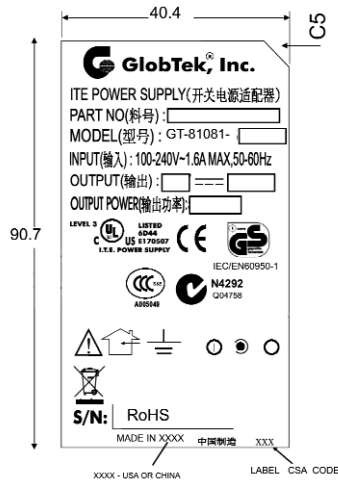
T3 TYPE:



T2 TYPE:



INDICATOR: GREEN LED,  
 OUTPUT PRESENT  
 INPUT CONNECTOR:  
 CONFIGURATION: CLASS 1  
 MODEL: T3= IEC 60320 / C14,  
 T3A= IEC 60320 / C6, AC  
 POWER RECEPTACLE WITH  
 3 MALE PRONGS  
 OUTPUT CORD:  
 1 CONDUCTOR+SHIELD,  
 18 AWG STRANDED WIRE,  
 ROUND UL 1185 RATED SPT-1  
 CORD TYPE, COLOR BLACK,  
 LENGTH OF CORD:  
 1830 +100,-0mm. CORD IS  
 MEASURED FROM THE  
 HOUSING TO THE END OF  
 OVERMOLD OF THE  
 CONNECTOR.  
 CABLE IS TO BE MARKED WITH  
 WIRE GAUGE, AND ALL  
 APPLICABLE RATING AND  
 SAFETY APPROVALS.  
 CUSTOM CORDSET AVAILABLE.  
 OUTPUT CONNECTOR:  
 STANDARD, STRAIGHT  
 FEMALE BARREL IS  
 5.5 x 2.5 x 11 mm WITH  
 CENTER POSITIVE



NOTE: FOR OTHER OUTPUT CONNECTOR OPTIONS, SEE OUTPUT/PLUG/CORD OPTIONS PAGE.

