



**Low-Profile Wall Plug-In, 20 Watt Single Output, VDC@ 3A,
Switching Power Supply: N.A., Universal Input, ITE, Class II, EnergyStar**

Part Number Ordering System (See Page 302)
Output Plug/Cord Options (See Page 271)

ELECTRICAL SPECIFICATIONS:

INPUT VOLTAGE:
90 VAC TO 264 VAC

INPUT CURRENT:
< 0.7A RMS AT 90 VAC INPUT

INPUT FREQUENCY:
47 HZ - 63 HZ

OUTPUT CURRENT:
SEE OUTPUT RATING BELOW, NO MINIMUM LOAD
REQUIRED

OUTPUT POWER (RATED):
20 WATTS MAX

OUTPUT RIPPLE VOLTAGE (PEAK TO PEAK):
+/-1% OR 50 mV WHICHEVER IS GREATER AT NOMINAL
OUTPUT VOLTAGE. MEASURED AT 20 MHz BANDWIDTH
WITH 0.1µf CERAMIC CAPACITOR IN PARALLEL WITH 10 µf
ELECTROLYTIC CAPACITOR CONNECTED AT THE END OF
THE OUTPUT CONNECTOR.

OUTPUT REGULATION (LINE/LOAD):
+ 5 % FOR MAIN OUTPUT, MEASURED AT O/P CONNECTOR

LINE REGULATION:
+ 2 % MAX AT FULL LOAD

TURN ON/ TURN OFF OVERTHOOT:
± 5% MAX 500µS MAX RECOVERY TIME FOR 25%
STEP LOAD

TURN-ON DELAY:
1 SEC TYPICAL

HOLD-UP TIME:
5 mSEC MIN AT NOMINAL INPUT AND FULL LOAD

EFFICIENCY AVERAGE:
76 % TYPICAL AT NOMINAL LINE

NO LOAD POWER CONSUMPTION:
COMPLIES WITH ENERGY STAR TIER 2 (NORTH AMERICA)

OUTPUT INDICATOR:
GREEN LED FOR OUTPUT PRESENT(ONLY FOR 9.5V TO 14.0
DC MODELS)

SWITCHING FREQUENCY:
65 KHZ TYPICAL

OVER-VOLTAGE PROTECTION:
PROTECTED, UNIT WILL AUTO-RECOVER UPON REMOVAL
OF FAULT

OVER-CURRENT/SHORT CIRCUIT:
PROTECTED, UNIT WILL AUTO-RECOVER UPON REMOVAL
OF FAULT

OTHER PROTECTION:

INPUT FUSING

SAFETY APPROVALS:
UL60950-1:2003, 1-st ED., CUL TO 22.2 # 60950-1:2003,1-st
ED., CE CLASS II

DIELECTRIC WITHSTAND VOLTAGE:
4242VDC PRIMARY-SECONDARY; 2121 VDC PRIMARY-
GROUND

LEAKAGE CURRENT:
< 0.25 mAAT NOMINAL AC INPUT VOLTAGE AND FREQUENCY

EMI:
COMPLIES WITH EN55022, CLASS B AND FCC PART 15
CLASS B WHEN TESTED WITH A RESISTIVE LOAD, BOTH
CONDUCTED AND RADIATED

CE MARK:
TESTED TO COMPLY WITH EN61000-3-2 EN61000-3-3, AND
EN50082-1, INCLUDING EN61000-4-2, EN61000-4-3,
EN61000-4-4, EN61000-4-5, EN61000-4-6, EN61000-4-11

MTBF:
200,000 HOURS AT 25°C AMBIENT TEMPERATURE

OPERATING TEMPERATURE:
0°C TO 40° C

STORAGE TEMPERATURE:
20°C TO 85° C

HUMIDITY:
0% TO 90% RELATIVE HUMIDITY, OPERATING

ROHS:
COMPLIES WITH EU 2002/95/EC AND CHINA SJ/T 11363-2006

NOTES:

1. -: ITE MODEL
2. EACH OUTPUT CURRENT AND POWER CAN VARY WITHIN
ITS DESIGNATION RANGE AS LONG AS THE MAXIMUM
CURRENT AND OUTPUT POWER ARE NOT EXCEEDED.
3. SINGLE OUTPUT UNITS ARE AVAILABLE FROM 3V
THROUGH 14V AND 18V THROUGH 24V IN 0.1V INCREMENTS
4. -X.X: OPTIONAL FOR SPECIFYING OUTPUT VOLTAGE
DEVIATION FROM STANDARD MODEL (EXAMPLE: 12 VDC
MODEL = GT-81041-2014-2.0-W2).
5. -W2: STANDARD US WALL PLUG-IN MODEL WITH NEMA
1-15P BLADE CONFIGURATION.
6. L: OPTIONAL LED (AVAILABLE ONLY FOR 9.5 TO 14.0 V
US MODELS)

OUTPUT VOLTAGE / CURRENT:

MODEL NUMBER	OUTPUT VOLTAGE (VDC)	OUTPUT CURRENT (A)	RATED OUTPUT POWER (W)
GT-81041-2007.5-4.5-W2 (W2A, W2U, W2E, W2K)	+3.00	0 - 3.00	0 - 9
GT-81041-2007.5-2.5-W2 (W2A, W2U, W2E, W2K)	+5.00	0 - 3.00	0 - 15
GT-81041-2007.5-1.5-W2 (W2A, W2U, W2E, W2K)	+6.00	0 - 2.50	0 - 15
GT-81041-2007.5-W2 (W2A, W2U, W2E, W2K)	+7.50	0 - 2.0	0 - 15
GT-81041-2009.4-.4-W2 (W2A, W2U, W2E, W2K)	+9.00	0 - 1.60	0 - 14
GT-81041-2014-2-W2 (W2A, W2U, W2E, W2K)	+12.00	0 - 1.70	0 - 20
GT-81041-2014-0.5-W2 (W2A, W2U, W2E, W2K)	+13.50	0 - 1.50	0 - 20
GT-81041-2024-6-W2 (W2A, W2U, W2E, W2K)	+18.00	0 - 1.13	0 - 20
GT-81041-2024-W2 (W2A, W2U, W2E, W2K)	+24.00	0 - 0.85	0 - 20

SPECIFICATIONS MAY CHANGE WITHOUT PRIOR NOTICE. CONSULT GLOBTEK CUSTOMER SERVICE FOR LATEST SPECIFICATIONS.





ISO 9001:2000
REGISTERED

GT-81041-YYZZ-X.X-W2



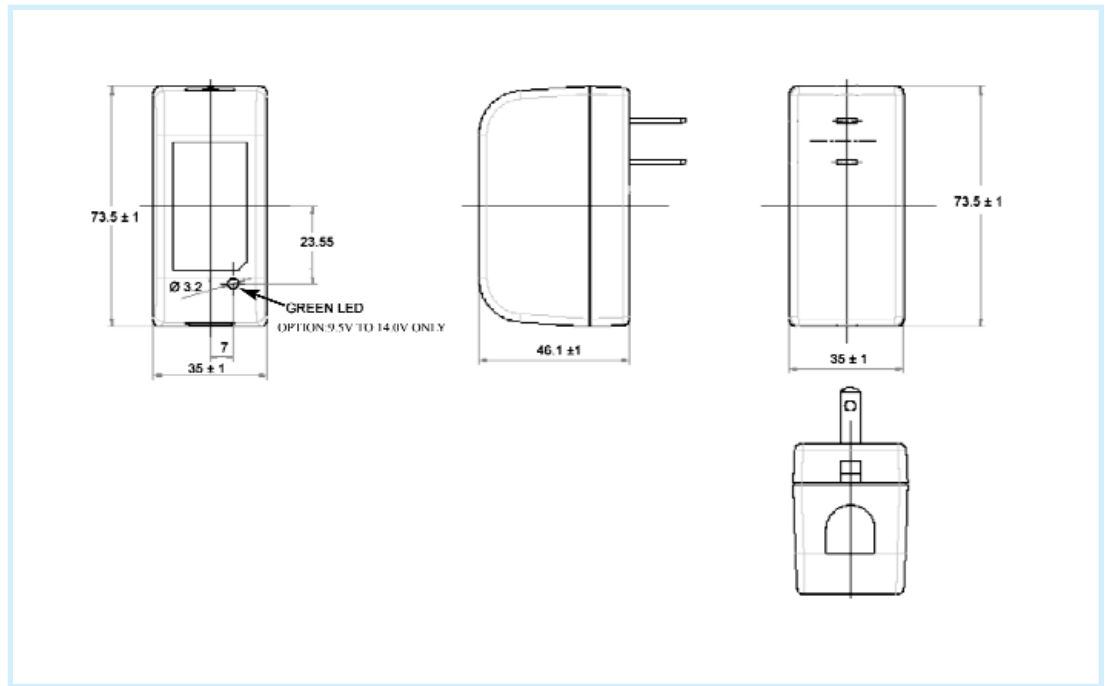
**Low-Profile Wall Plug-In, 20 Watt Single Output, VDC@ 3A,
Switching Power Supply: N.A., Universal Input, ITE, Class II, EnergyStar**

Part Number Ordering System (See Page 302)
Output Plug/Cord Options (See Page 271)



ENCLOSURE

WALL PLUG-IN CLASS II, UPPER HOUSING: HIGH IMPACT PLASTIC, 94VO POLYCARBONATE, NON-VENTED, COLOR BLACK
LOWER HOUSING: HIGH IMPACT PLASTIC, 94VO POLYCARBONATE, NON-VENTED, COLOR BLACK

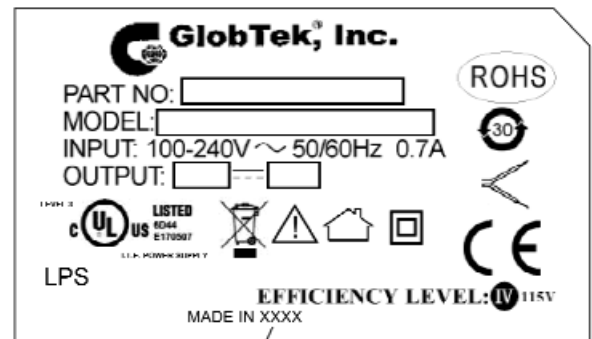


LABEL:
MATERIAL: .007 (0.18) THICK FLAT THERMAL TRANSFER, IMPRINTABLE, BLACK POLYESTER SHEET WITH SILVER WHITE TEXT.

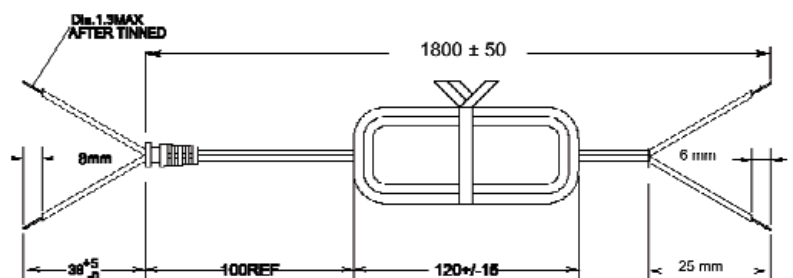
MANUFACTURER:
STEVEN LABEL, MATERIAL I.D. NO. 3302-33, UL FILE NO. MH12821(N), UL MATERIAL DESIGNATION FILE NO. GW332RL. OPTIONAL LABEL MATERIAL CAN BE SUBSTITUTED PROVIDING MATERIAL IS UL LISTED AND COMPLIES WITH APPLICABLE SAFETY REQUIREMENTS.

PACKING:
MATERIAL:
CORRUGATED FIBERBOARD, FLUTE 0.8 (2.0) THICK, DOUBLE WALL CONSTRUCTION.

EXTERNAL FINISH:
WHITE, COATED WITH GLOSS FINISH (AQUEOUS OR VARNISH) STYLE: TUCK SIDES WITH LOCKING TABS ON BOTH SIDES OF BOX. NO PRINTING ON THE OUTSIDE OF BOX.



XXXX - USA OR CHINA



SPECIFICATIONS MAY CHANGE WITHOUT PRIOR NOTICE. CONSULT GLOBTEK CUSTOMER SERVICE FOR LATEST SPECIFICATIONS.