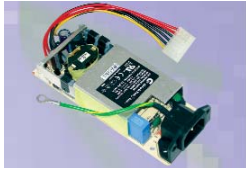


ISO 9001:2000
REGISTERED**0-22 Watts, Open Frame, Universal Input, ITE, Dual Output,
Switchmode Power Supply**Part Number Ordering System (See Page 224)
Output Plug/Cord Options (See Page 189)

INDOOR USE ONLY

ELECTRICAL SPECIFICATIONS:**INPUT VOLTAGE:**

90 VAC TO 264 VAC

INPUT CURRENT:

≤ 0.5 A RMS AT 90 VAC INPUT

INPUT FREQUENCY:

47 HZ - 63 HZ

OUTPUT CURRENT:

± 3.3 VDC @ 6.0A; +5VDC@0.5A

OUTPUT POWER (RATED):

22.3 WATTS MAX

OUTPUT RIPPLE (PEAK TO PEAK):

1% OF OUTPUT VOLTAGE TYPICAL

OUTPUT REGULATION (LINE/LOAD):

+ 5 % FOR MAIN OUTPUT, MEASURED AT O/P CONNECTOR

LINE REGULATION:

± 0.5 % MAX AT FULL LOAD

TURN ON/ TURN OFF OVERTHOOT:

4% MAX 500µs MAX RECOVERY TIME FOR 25% STEP LOAD

TURN-ON DELAY:

1 SEC MAX

HOLD-UP TIME:

16 m SEC MIN AT NOMINAL INPUT AND FULL LOAD

INRUSH CURRENT:

20 A MAX AT COLD START FOR N.A. (40A FOR EURO)

EFFICIENCY:

75 % TYPICAL

SWITCHING FREQUENCY:

100 KHZ TYPICAL

OVER-VOLTAGE PROTECTION:

VOLTAGE LIMITED LESS 130% OF NOMINAL VOLTAGE

OVER-CURRENT / SHORT CIRCUIT:

CONSTANT CURRENT AT 110% TO 130% OF NOMINAL LOAD

SHORT CIRCUIT:

MOMENTARY OUTPUT SHORT CIRCUIT PROTECTED

OTHER PROTECTION:

INPUT FUSING

SAFETY APPROVALS:

UR TO UL 60950, C-UR TO 22.2 # 950 CLASS II W/FUNCTIONAL GROUND, CE CLASS I

DIELECTRIC WITHSTAND VOLTAGE:

5656 VAC PRIMARY-SECONDARY; 2121 VAC, PRIMARY- GROUND

LEAKAGE CURRENT:

≤ 3.5 mA

LINE SURGE:

EN 61000-4-5 LEVEL 4

EMI:

COMPLIES WITH EN55022 , CLASS B AND FCC PART 15 CLASS B WHEN TESTED WITH A RESISTIVE LOAD, BOTH CONDUCTED AND RADIATED

CE MARK:

TESTED TO COMPLY WITH EN61000-3-2 EN61000-3-3, AND EN50082-1, INCLUDING EN61000-4-2 (SYSTEM LEVEL), EN61000-4-3, EN61000-4-4, EN61000-4-5, EN61000-4-6, EN61000-4-11, LEVEL 4. UNIT IS ELIGIBLE FOR CE MARK.

MTBF:

GREATER THAN 200,000 HOURS AT 25° C AMBIENT TEMP.

OPERATING TEMPERATURE:

0° C TO 40° C

STORAGE TEMPERATURE:

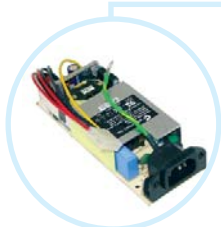
-40° C TO 80° C

HUMIDITY:

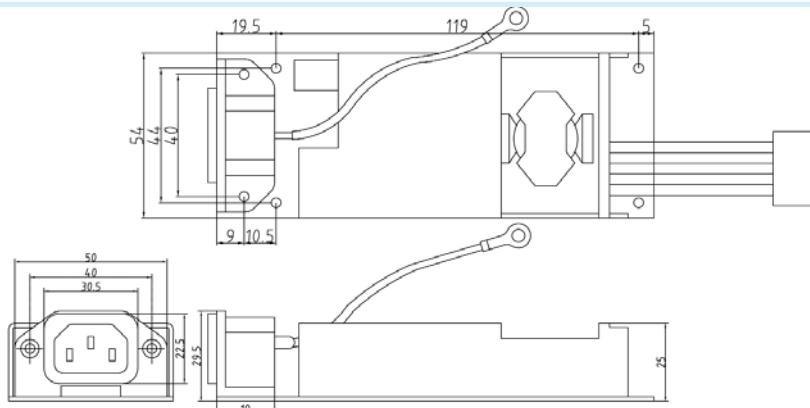
0% TO 90% RELATIVE HUMIDITY

OUTPUT VOLTAGE / CURRENT:

MODEL NUMBER	DUAL OUTPUT VOLTAGE (VDC)	OUTPUT CURRENT (A)	RATED OUTPUT POWER (W)
GT-22038	+5.0	0.5	0 - 22.3
	+3.3	6.0	

MECHANICAL DRAWINGS**CONFIGURATION:** OPEN FRAME SWITCHING POWER SUPPLY, WITH MOUNTING HOLES, POSITIONED AS SHOWN.**OUTPUT HARNESS:** CONDUCTOR, 24 AWG STRANDED WIRE, FLAT UL 1007 CORD TYPE, COLOR BLACK, LENGTH OF CORD: 1830 + 50 mm. CORD IS MEASURED FROM THE PCB TO THE END OF THE CONNECTOR. CABLE IS TO BE MARKED WITH WIRE GAUGE, AND ALL APPLICABLE RATING AND SAFETY APPROVALS.**OUTPUT CONNECTOR:** FEMALE 3.96 mm PITCH, MOLEX 3961, 6 CIRCUIT, OR EQUIVALENT.**SIZE:**

143 x 54 x 26 ± 1 mm

INPUT CONNECTOR:IEC 60320 / C14, 3 PIN MALE,
PANEL MOUNT
RECEPTACLE

SPECIFICATIONS MAY CHANGE WITHOUT PRIOR NOTICE. CONSULT GLOBTEK CUSTOMER SERVICE FOR LATEST SPECIFICATIONS.