

ISO 9001:2008
REGISTERED**0-30 Watts, Desktop Power Supply, Single Output,
Family, Input, ITE, Class I & II**Part Number Ordering System (See Page 302)
Output Plug/Cord Options (See Page 271)**ELECTRICAL SPECIFICATIONS:****INPUT VOLTAGE:**

90 VAC TO 264 VAC

INPUT CURRENT:

< 0.5 A RMS AT 90 VAC INPUT

INPUT FREQUENCY:

47 HZ - 63 HZ

OUTPUT CURRENT:

NO MINIMUM LOAD REQUIRED

OUTPUT POWER (RATED):

30 WATTS MAX

OUTPUT RIPPLE (PEAK TO PEAK):

1% OF OUTPUT VOLTAGE TYPICAL

OUTPUT REGULATION (LINE/LOAD):

+/- 5% MEASURED AT THE OUTPUT CONNECTOR

LINE REGULATION:

+/- 1% TYPICAL MEASURED AT FULL LOAD

TURN ON/ TURN OFF OVERSHOOT:5% MAXIMUM, 1mS TYPICAL RECOVERY TIME FOR 25%
STEP LOAD**TURN-ON DELAY:**

1 SEC TYPICAL

HOLD-UP TIME:

10mS TYPICAL AT NOMINAL INPUT VOLTAGE AND FULL LOAD

INRUSH CURRENT:30A TYPICAL AT 115Vac INPUT AND 40A TYPICAL AT
230Vac INPUT**EFFICIENCY:**

75% TYPICAL AT NOMINAL INPUT AND FULL LOAD

SWITCHING FREQUENCY:

100KHZ TYPICAL, VARIES WITH LINE AND LOAD

OVER-VOLTAGE PROTECTION:

VOLTAGE LIMITED TO LESS THAN 130%, CROWBAR METHOD

OVER-CURRENT / SHORT CIRCUIT:MOMENTARY SHORT CIRCUIT PROTECTED, OUTPUT WILL
AUTORECOVER UPON REMOVAL OF SHORT**OTHER PROTECTION:**

INPUT FUSING; LINE FUSING

SAFETY APPROVALS:ITE MODEL: UL60950, CUL TO 22.2# 950, NEMKO, GS, SEMKO,
FIMKO, DEMKO TO EN60950, CCC MARK TO GB4943-2001,
GB9254-1998, GB17625.1-2003 (GT-21089-T3 FROM 5-18V
OUTPUT), PSE TO J60950, C-TICK, POLAND PCBC TO
EN60950, DEMKO TO EN60950, ARGENTINA S-MARK TO en
60950, CB REPORT, CE CLASS I & II**DIELECTRIC WITHSTAND VOLTAGE:**

4242VDC FROM PRIMARY TO SECONDARY

LEAKAGE CURRENT:

< 300uA AT 264VAC INPUT VOLTAGE

LINE SURGE:

EN 61000-4-5 LEVEL 4

EMI:COMPLIES WITH EN55022 CLASS B AND FCC PART 15 CLASS B
WHEN TESTED WITH RESISTIVE LOAD, BOTH CONDUCTED
AND RADIATED EMI**CE MARK:**TESTED TO COMPLY WITH EN61000-3-2 EN61000-3 AND
EN50082-1 INCLUDING EN61000-4-2 (SYSTEM LEVEL),
EN61000-4-3, EN61000-4-4, EN61000-4-5, EN61000-4-6,
EN61000-4-11 LEVEL 4.**MTBF:**GREATER THAN 200,000 HOURS AT 25C AMBIENT TEMP.
NOMINAL LINE AND FULL LOAD PER MIL-217 STANDARD**OPERATING TEMPERATURE:**OPERATING TEMPERATURE: 0°C TO 40°C AMBIENT
TEMPERATURE**STORAGE TEMPERATURE:**

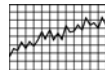
-10°C TO 80°C

HUMIDITY:

0% TO 90% RELATIVE HUMIDITY

NOTES:

1. EACH OUTPUT CURRENT MAY VARY WITHIN ITS DESIGNATION RANGE, AS LONG AS OUTPUT POWER IS NOT EXCEEDED.
2. SINGLE OUTPUT UNITS ARE AVAILABLE FROM 5V UP TO 24V IN 0.1V INCREMENTS.
3. (X.X) OPTIONAL FOR SPECIFYING OUTPUT VOLTAGE DEVIATION FROM STANDARD MODEL. SUBTRACTING X.X VOLTS FROM STANDARD OUTPUT VOLTAGE.

SEE APPENDIX "D" FOR ELECTRICAL
PERFORMANCE CURVES**OUTPUT VOLTAGE / CURRENT:**

CLASS II MODELS, DOUBLE INSULATED, T2

| MODEL NUMBER | OUTPUT VOLTAGE (VDC) | OUTPUT CURRENT (A) | RATED OUTPUT POWER (W) |
|-----------------------|----------------------|--------------------|------------------------|
| GT-21148-2005-T2 | + 5.0 | 0 - 4.0 | 0 - 20 |
| GT-21148-2506-X.X-T2 | + 6.0 | 0 - 4.2 | 0 - 25 |
| GT-21148-2709-2.0-T2 | + 7.0 | 0 - 3.7 | 0 - 26 |
| GT-21148-2709-1.0-T2 | + 8.0 | 0 - 3.25 | 0 - 26 |
| GT-21148-2709-X.X-T2 | + 9.0 | 0 - 3.0 | 0 - 27 |
| GT-21148-3012-2.0-T2 | + 10.0 | 0 - 3.0 | 0 - 30 |
| GT-21148-3012-1.0-T2 | + 11.0 | 0 - 2.7 | 0 - 30 |
| GT-21148-3012-X.X-T2 | + 12.0 | 0 - 2.5 | 0 - 30 |
| GT-21148-3015-2.0-T2 | + 13.0 | 0 - 2.3 | 0 - 30 |
| GT-21148-3015--1.2-T2 | + 13.8 | 0 - 2.1 | 0 - 30 |
| GT-21148-3015-1.0-T2 | + 14.0 | 0 - 2.1 | 0 - 30 |
| GT-21148-3015-X.X-T2 | + 15.0 | 0 - 2.0 | 0 - 30 |
| GT-21148-3018-2.0-T2 | + 16.0 | 0 - 1.9 | 0 - 30 |
| GT-21148-3018-1.0-T2 | + 17.0 | 0 - 1.8 | 0 - 30 |
| GT-21148-3018-X.X-T2 | + 18.0 | 0 - 1.7 | 0 - 30 |
| GT-21148-3024-5.0-T2 | + 19.0 | 0 - 1.6 | 0 - 30 |
| GT-21148-3024-4.0-T2 | + 20.0 | 0 - 1.5 | 0 - 30 |
| GT-21148-3024-X.X-T2 | + 24.0 | 0 - 1.25 | 0 - 30 |

SPECIFICATIONS MAY CHANGE WITHOUT PRIOR NOTICE. CONSULT GLOBTEK CUSTOMER SERVICE FOR LATEST SPECIFICATIONS.





0-30 Watts, Desktop Power Supply, Single Output, Family, Input, ITE, Class I & II

Part Number Ordering System (See Page 302)
Output Plug/Cord Options (See Page 271)


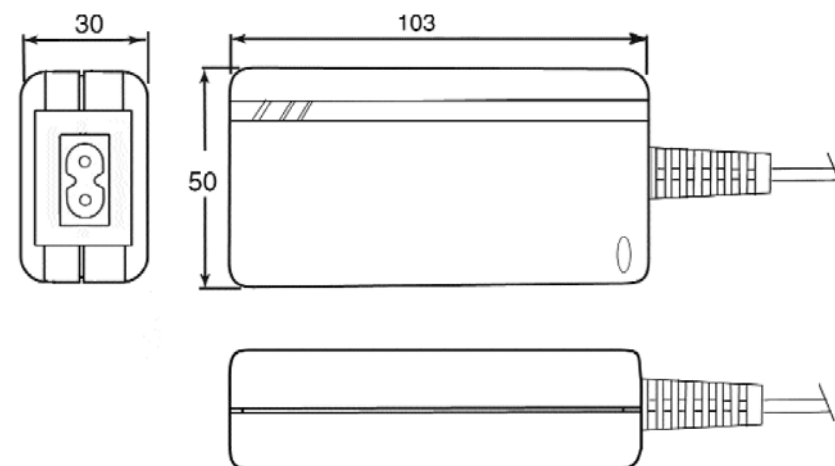


INDOOR USE ONLY

ENCLOSURES

HOUSING: HIGH IMPACT PLASTIC, 94V0 POLYCARBONATE, NON-VENTED, COLOR BLACK, CUSTOMER SPECIFIED COLOR AVAILABLE UPON REQUEST.

INDICATOR:
GREEN LED, OUTPUT PRESENT


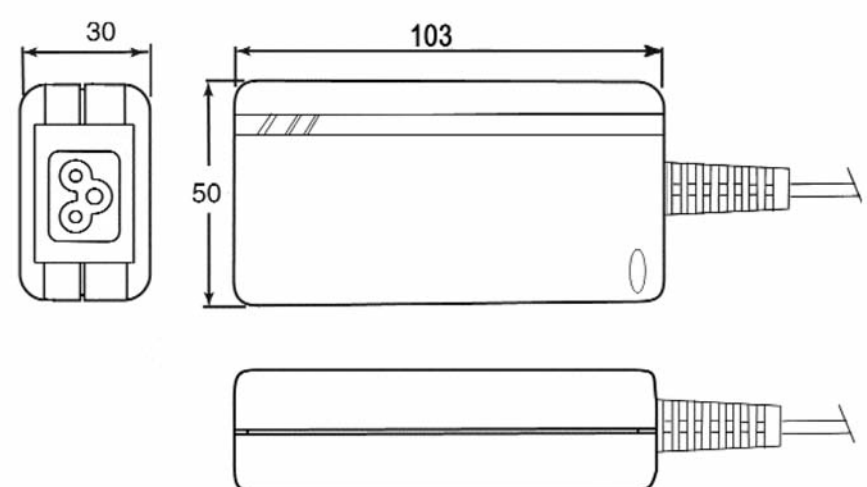



DESKTOP CLASS II: T2

SIZE:
103 X 50 X 32 ± 1 mm

INPUT CONFIGURATION:
CLASS II MODEL IEC60320/ C8, AC
POWER RECEPTACLE, SHAVER PLUG
STYLE WITH 2 MALE PINS

HOUSING: HIGH IMPACT PLASTIC, 94V0 POLYCARBONATE, NON-VENTED, COLOR BLACK

DESKTOP CLASS II: T3

SIZE:
103 X 50 X 32 ± 1 mm

INPUT CONFIGURATION:
CLASS I MODEL IEC60320 / C8, AC
POWER RECEPTACLE, SHAVER PLUG
STYLE WITH 3 MALE PINS

INDICATOR:
GREEN LED, OUTPUT PRESENT



SPECIFICATIONS MAY CHANGE WITHOUT PRIOR NOTICE. CONSULT GLOBTEK CUSTOMER SERVICE FOR LATEST SPECIFICATIONS.