



ISO 9001:2000  
REGISTERED



**0-60 Watts, Desktop, Universal Input, Single Output Family, ITE Class I**

Part Number Ordering System (See Page 224)  
Output Plug/Cord Options (See Page 189)



 FOR INDOOR USE ONLY



**ELECTRICAL SPECIFICATIONS:**

**INPUT VOLTAGE:**  
90 VAC TO 264 VAC

**INPUT CURRENT:**  
<1.6A RMS AT 90VAC INPUT

**INPUT FREQUENCY:**  
47 HZ - 63 HZ

**OUTPUT CURRENT:**  
NO MINIMUM LOAD REQUIRED

**OUTPUT POWER (RATED):**  
60 WATTS MAX

**OUTPUT RIPPLE (PEAK TO PEAK):**  
1% OF OUTPUT VOLTAGE, PEAK TO PEAK, TYPICAL

**OUTPUT REGULATION (LINE/LOAD):**  
± 5 % MEASURED AT THE OUTPUT CONNECTOR

**LINE REGULATION:**  
± 1% TYPICAL MEASURED AT FULL LOAD

**TURN ON/ TURN OFF OVERTHOOT:**  
5% MAXIMUM, 1mS TYPICAL RECOVERY TIME FOR 25% STEP LOAD

**TURN-ON DELAY:**  
1 SEC TYPICAL

**HOLD-UP TIME:**  
10mS TYPICAL AT NOMINAL INPUT VOLTAGE AND FULL LOAD

**INRUSH CURRENT:**  
20A TYPICAL AT 115Vac INPUT AND 30A TYPICAL AT 230Vac INPUT

**EFFICIENCY:**  
75% TYPICAL AT NOMINAL INPUT AND FULL LOAD

**SWITCHING FREQUENCY:**  
100 KHZ TYPICAL

**OVER-VOLTAGE PROTECTION:**  
VOLTAGE LIMITED TO LESS THAN 130%, CROWBAR METHOD

**OVER-CURRENT / SHORT CIRCUIT:**  
HICCUP MODE WITH AUTO-RECOVERY (110 - 130% OF RATED LOAD) / HICCUP MODE OUTPUT WILL AUTORECOVER UPON REMOVAL OF SHORT

**OTHER PROTECTION:**  
INPUT LINE FUSING

**SAFETY APPROVALS:**

UL 60950 (3rd ED.), CUL TO 22.2 NO. 60950 (3rd ED.), TUV TO EN60950-1:2001, PSE J60950

**DIELECTRIC WITHSTAND VOLTAGE:**

4242VDC (3000VAC) FROM PRIMARY TO SECONDARY  
2121VDC (1500VAC) PRIMARY TO GROUND

**LEAKAGE CURRENT:**

<500uA at 264Vac INPUT VOLTAGE

**LINE SURGE:**

EN 61000-4-5 LEVEL 4

**EMI:**

COMPLIES WITH EN55022, CLASS B AND FCC PART 15 CLASS B WHEN TESTED WITH A RESISTIVE LOAD, BOTH CONDUCTED AND RADIATED EMI.

**CE MARK:**

TESTED TO COMPLY WITH EN61000-3-2 EN610003-3 AND EN50082-1 INCLUDING EN61000-4-2 (SYSTEM LEVEL), EN61000-4-3, EN61000-4-4, EN61000-4-5, EN61000-4-6, EN61000-4-11 LEVEL 4.

**MTBF:**

GREATER THAN 200,000 HOURS AT 25° C AMBIENT TEMPERATURE

**OPERATING TEMPERATURE:**

0° C TO 40° C AMBIENT TEMPERATURE

**STORAGE TEMPERATURE:**

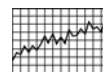
-40° C TO 80° C

**HUMIDITY:**

0% TO 90% RELATIVE HUMIDITY

**NOTES:**

1. -: ITE MODEL
2. EACH OUTPUT CURRENT MAY VARY WITHIN IT'S DESIGNATION RANGE, AS LONG AS OUTPUT POWER IS NOT EXCEEDED.
3. \*SINGLE OUTPUT UNITS ARE AVAILABLE FROM 12V UP TO 24V IN 0.1V INCREMENTS.
4. (X.X) OPTIONAL FOR SPECIFYING OUTPUT VOLTAGE DEVIATION FROM STANDARD MODEL. SUBTRACTING X.X VOLTS FROM STANDARD OUTPUT VOLTAGE.
5. SEE APPENDIX "F" FOR ELECTRICAL PERFORMANCE CURVES.



SEE APPENDIX "F" FOR ELECTRICAL PERFORMANCE CURVES

**OUTPUT VOLTAGE / CURRENT:**

MODEL NUMBER	OUTPUT VOLTAGE* (VDC)	OUTPUT CURRENT (A)	RATED OUTPUT POWER (W)
GT-21126-6012	+12.0	0 - 5.0	0 - 60
GT-21126-6024-11	+13.0	0 - 4.6	0 - 60
GT-21126-6024-10.2	+13.8	0 - 4.3	0 - 60
GT-21126-6024-10.0	+14.0	0 - 4.2	0 - 60
GT-21126-6024-9.0.	+15.0	0 - 4.0	0 - 60
GT-21126-6024-8.0	+16.0	0 - 3.75	0 - 60
GT-21126-6024-6.0	+18.0	0 - 3.3	0 - 60
GT-21126-6024-5.0	+19.0	0 - 3.16	0 - 60
GT-21126-6024-4.0	+20.0	0 - 3.0	0 - 60
GT-21126-6024-2.0	+22.0	0 - 2.7	0 - 60
GT-21126-6024	+24.0	0 - 2.5	0 - 60

SPECIFICATIONS MAY CHANGE WITHOUT PRIOR NOTICE. CONSULT GLOBTEK CUSTOMER SERVICE FOR LATEST SPECIFICATIONS.



ISO 9001:2000 REGISTERED



0-60 Watts, Desktop, Universal Input, Single Output Family, ITE Class I

Part Number Ordering System (See Page 224)  
Output Plug/Cord Options (See Page 189)



⚡ FOR INDOOR USE ONLY

ENCLOSURES

HOUSING: HIGH IMPACT PLASTIC, 94V0 POLYCARBONATE, NON-VENTED, COLOR BLACK



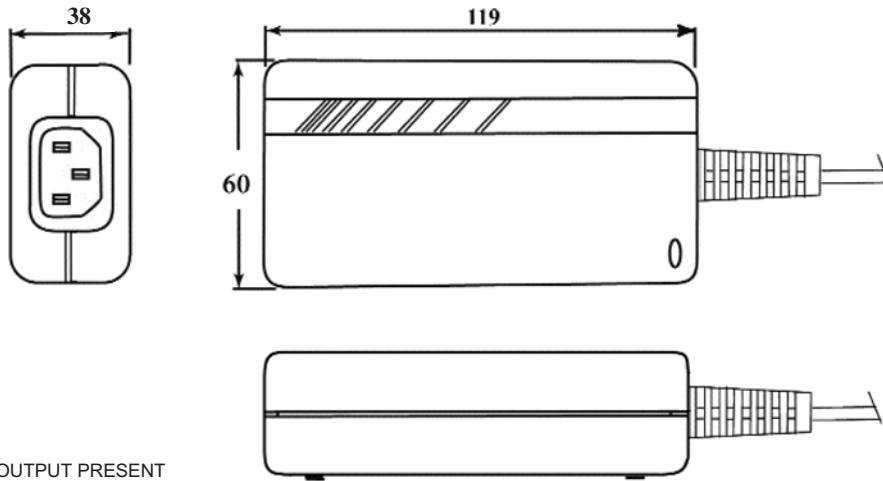
DESKTOP CLASS I: T3

SIZE:

119 X 60 X 38 ± 1 mm

INPUT CONFIGURATION:

CLASS 1 MODEL IEC60320 / C14, AC POWER RECEPTACLE WITH 3 MALE PINS



INDICATOR:  
GREEN LED, OUTPUT PRESENT



SPECIFICATIONS MAY CHANGE WITHOUT PRIOR NOTICE. CONSULT GLOBTEK CUSTOMER SERVICE FOR LATEST SPECIFICATIONS.