



ISO 9001:2000
REGISTERED



**0-50 Watts, DeskTop, Switchmode Universal Input,
Single Output Family, ITE**

Part Number Ordering System (See Page 302)
Output Plug/Cord Options (See Page 271)
Medical Models (See Page 104)



INDOOR USE ONLY



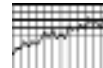
ELECTRICAL SPECIFICATIONS:

INPUT VOLTAGE:
90 VAC TO 264 VAC
INPUT CURRENT:
< 1.6 A RMS AT 90 VAC INPUT
INPUT FREQUENCY:
47 HZ - 63 HZ
OUTPUT CURRENT:
NO MINIMUM LOAD REQUIRED
OUTPUT POWER (RATED):
50 WATTS MAX
OUTPUT RIPPLE (PEAK TO PEAK):
1% OF OUTPUT VOLTAGE, PEAK TO PEAK, TYPICAL
OUTPUT REGULATION (LINE/LOAD):
+/-5% MEASURED AT THE OUTPUT CONNECTOR
LINE REGULATION:
+/- 1% TYPICAL MEASURED AT FULL LOAD
TURN ON/ TURN OFF OVERSHOOT:
5% MAXIMUM, 1mS TYPICAL RECOVERY TIME FOR 25%
STEP LOAD
TURN-ON DELAY:
1 SEC TYPICAL
HOLD-UP TIME:
10mS TYPICAL AT NOMINAL INPUT VOLTAGE AND
FULL LOAD
INRUSH CURRENT:
20A MAX COLD START FOR 115VAC
EFFICIENCY:
75% TYPICAL AT NOMINAL INPUT AND FULL LOAD
SWITCHING FREQUENCY:
100 KHZ TYPICAL
OVER-VOLTAGE PROTECTION:
VOLTAGE LIMITED TO LESS THAN 130%, CROWBAR METHOD
OVER-CURRENT / SHORT CIRCUIT:
HICCUP MODE WITH AUTO-RECOVERY (110 - 130% OF RATED
LOAD), HICCUP MODE OUTPUT WILL AUTORECOVER UPON
REMOVAL OF SHORT
SAFETY APPROVALS:
UL 60950 (THIRD EDITION), CUL TO 22.2 NO. 60950 (3rd ED.),
TUV TO EN60950-1:2001, INNOVA-GS TO EN60335-1 PSE TO
J60950, CHINESE CCC MARK TO GB4943-2001, GB9254-1998,
GB17625.1-2003; C-TICK TO AS/NZ 60950, CB REPORT

OTHER PROTECTION:

INPUT LINE FUSING
DIELECTRIC WITHSTAND VOLTAGE:
4242VDC (3000VAC) FROM PRIMARY TO SECONDARY
2121VDC (1500VAC) FROM PRIMARY TO SECONDARY
LEAKAGE CURRENT:
<500uA AT 264Vac INPUT VOLTAGE
LINE SURGE:
EN 61000-4-5 LEVEL 4
EMI:
COMPLIES WITH EN55022 CLASS B AND FCC PART 15 CLASS
B WHEN TESTED WITH RESISTIVE LOAD, BOTH CONDUCTED AND
RADIATED EMI.
CE MARK:
EN55011, Group 1, Class B, EN55022 Class B, EN55011, Group
1, Class B; EN55024 / EN60601-1-2 / IEC 61000-4-3:2002;
EN55024 / EN60601-1-2 / IEC 61000-4-6:2001 ; EN55024 /
EN60601-1-2 / IEC 61000-4-8:2001; EN55024 / EN60601-1-2 /
IEC 61000-4-11:2001; EN55024 / EN60601-1-2 / IEC 61000-4-
4:2001; EN55024 / EN60601-1-2 / IEC 61000-4-2:2001; EN55024
/ EN60601-1-2 / IEC 61000-4-5:2001; EN55024 / EN 61000-3-3
A1: 2001 / EN 61000-3-3 A1: 2001; EN55024 / EN 61000-3-
2:2001 / EN 61000-3-2:2001. UNIT IS ELIGIBLE FOR CE MARK.
MTBF:
GREATER THAN 200,000 HOURS AT 25°C AMBIENT
TEMPERATURE NOMINAL LINE AND FULL LOAD (MIL-217 STD)
OPERATING TEMPERATURE:
0°C TO 40°C AMBIENT TEMPERATURE
STORAGE TEMPERATURE:
-40° C TO 80° C
HUMIDITY:
0% TO 90% RELATIVE HUMIDITY
NOTES:

1. -: ITE MODEL OR (M): MEDICAL MODEL
2. EACH OUTPUT CURRENT MAY VARY WITHIN IT'S DESIG-
NATION RANGE, AS LONG AS OUTPUT POWER IS NOT
EXCEEDED.
3. SINGLE OUTPUT UNITS ARE AVAILABLE FROM 3.3V UP TO
48V IN 0.1V INCREMENTS.
4. (X.X) OPTIONAL FOR SPECIFYING OUTPUT VOLTAGE
DEVIATION FROM STANDARD MODEL. SUBTRACTING X.X
VOLTS FROM STANDARD OUTPUT VOLTAGE.



SEE APPENDIX "E" FOR ELECTRICAL
PERFORMANCE CURVES

OUTPUT VOLTAGE / CURRENT:

MODEL NUMBER	OUTPUT VOLTAGE (VDC)	OUTPUT CURRENT (A)	RATED OUTPUT POWER (W)
GT-21097-2003	+3.3	0 - 6.0	0 - 20
GT-21097-3005-1.0	+4.0	0 - 6.0	0 - 24
GT-21097-3005-X.X	+5.0	0 - 6.0	0 - 30
GT-21097-4509-3.0	+6.0	0 - 5.0	0 - 30
GT-21097-4509-2.0	+7.0	0 - 5.0	0 - 35
GT-21097-4509-1.0	+8.0	0 - 5.0	0 - 40
GT-21097-4509-X.X	+9.0	0 - 5.0	0 - 45
GT-21097-5012-2.0	+10.0	0 - 5.0	0 - 50
GT-21097-5012-1.0	+11.0	0 - 4.5	0 - 50
GT-21097-5012-X.X	+12.0	0 - 4.17	0 - 50
GT-21097-5015-2.0	+13.0	0 - 3.8	0 - 50
GT-21097-5015-1.2	+13.8	0 - 3.6	0 - 50
GT-21097-5015-1.0	+14.0	0 - 3.5	0 - 50
GT-21097-5015-X.X	+15.0	0 - 3.3	0 - 50
GT-21097-5018-X.X	+18.0	0 - 2.8	0 - 50
GT-21097-5024-4.0	+20.0	0 - 2.5	0 - 50
GT-21097-5024-X.X	+24.0	0 - 2.1	0 - 50
GT-21097-5048-20.4	+27.6	0 - 1.8	0 - 50
GT-21097-5048-18.0	+30.0	0 - 1.7	0 - 50
GT-21097-5048-12.0	+36.0	0 - 1.4	0 - 50
GT-21097-5048-X.X	+48.0	0 - 1.1	0 - 50

SPECIFICATIONS MAY CHANGE WITHOUT PRIOR NOTICE. CONSULT GLOBTEK CUSTOMER SERVICE FOR LATEST SPECIFICATIONS.

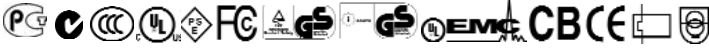


ISO 9001:2000
REGISTERED



**0-50 Watts, DeskTop, Switchmode Universal Input,
Single Output Family, ITE**

Part Number Ordering System (See Page 302)
Output Plug/Cord Options (See Page 271)
Medical Models (See Page 104)



INDOOR USE ONLY

ENCLOSURES

UPPER HOUSING: HIGH IMPACT PLASTIC, 94V0 POLYCARBONATE, NON-VENTED, COLOR BLACK
LOWER HOUSING: HIGH IMPACT PLASTIC 94V0 POLYCARBONATE, NON- VENTED, COLOR BLACK



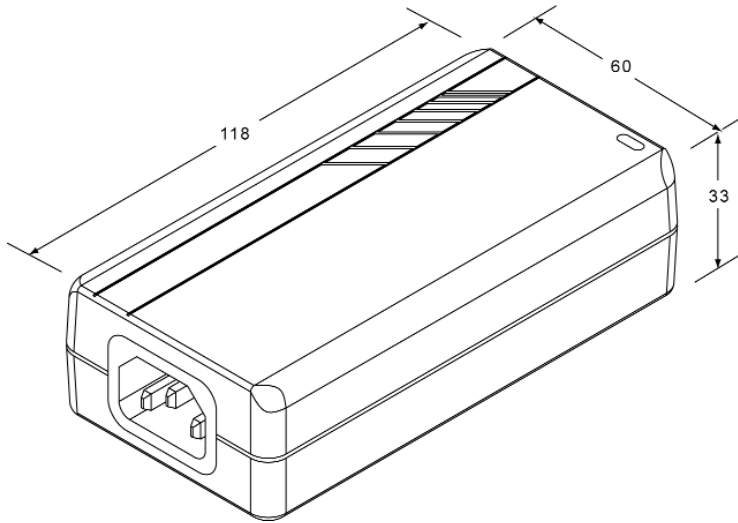
DESKTOP CLASS I: T3

SIZE:

119 X 60 X 32 ± 1 mm

INPUT CONFIGURATION:

CLASS 1 MODEL IEC320 / C14, AC
POWER RECEPTACLE WITH 3 MALE PINS
GROUND PIN CONNECTED INTERNALLY
BY AWG18 STRANDED
HOOK-UP WIRE, GREEN W/YELLOW
STRIPES JACKET, TO 'Y' SAFETY
CAPACITORS COMMON.



INDICATOR:

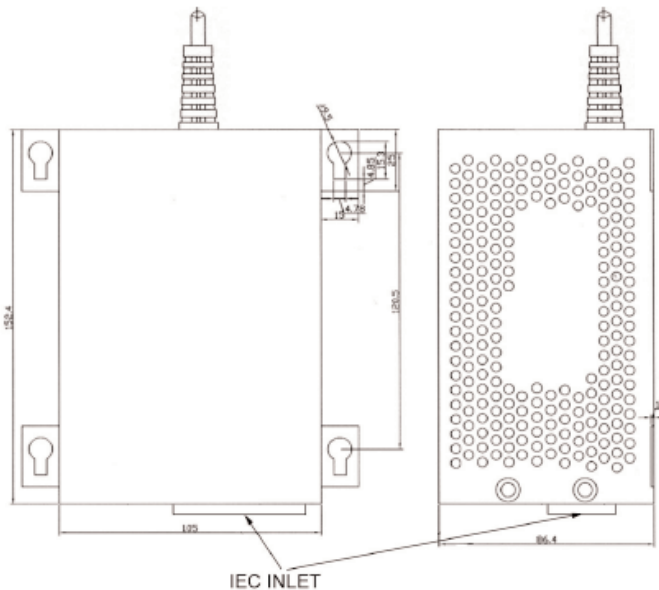
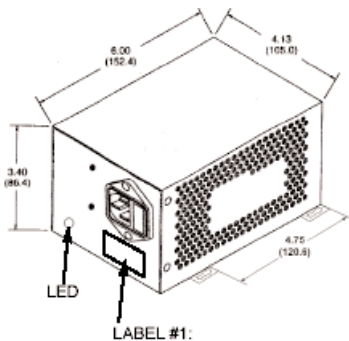
GREEN LED, OUTPUT PRESENT

ALTERNATE ENCLOSURE (SPECIAL ORDER):

UPPER COVER: MATERIAL: 0.048 in THICK ALU-
MINUM, GlobTek # 800-0202, SIDE(S) SCREENED,
LOWER CHASSIS: GlobTek # 800-0203. KEYHOLE
MOUNTING TABS (4), 4.75" CENTER SPACING.
KEYHOLE: Ø 0.375 in , 0.188 in WIDE, & 0.60 in
LONG.

AC CORD CLIP AVAILABLE:

SIZE: 152.4 x 105 x 86.4 + 1 mm



SPECIFICATIONS MAY CHANGE WITHOUT PRIOR NOTICE. CONSULT GLOBTEK CUSTOMER SERVICE FOR LATEST SPECIFICATIONS.