



ISO 9001:2000  
REGISTERED

GT-21086



**Switcher, 0-50 Watt, Single Output with AC SYNC Output,  
Desktop Universal Input, ITE, CLASS I**



**ELECTRICAL SPECIFICATIONS:**

**INPUT VOLTAGE:**

90Vac TO 264Vac

**INPUT CURRENT:**

<1.6A rms AT 90VAC INPUT

**INPUT FREQUENCY:**

47HZ - 63HZ

**OUTPUT VOLTAGE:**

18 VDC, NO LOAD TO FULL LOAD, NO MINIMUM LOAD  
REQUIRED

**AC SYNCHRONIZATION:**

5V SQUARE WAVE, 50Hz/60Hz AC SYNC. OUTPUT SIGNAL

**OUTPUT CURRENT:**

1.67 A

**RATED OUTPUT POWER:**

30 WATTS, MAXIMUM

**OUTPUT REGULATION:**

+/-5% MEASURED AT THE OUTPUT CONNECTOR

**LINE VOLTAGE REGULATION:**

+/- 1% TYPICAL MEASURED AT FULL LOAD

**HIGH FREQ. OUTPUT RIPPLE:**

1% OF OUTPUT VOLTAGE , PEAK TO PEAK, TYPICAL

**TURN-ON/TURN-OFF OVERSHOOT:**

5% MAXIMUM, 1mS TYPICAL RECOVERY TIME FOR 25%  
STEP LOAD

**TURN-ON DELAY:**

1 SECOND, TYPICAL

**HOLD-UP TIME:**

10mS TYPICAL AT NOMINAL INPUT VOLTAGE AND FULL LOAD

**INRUSH CURRENT:**

20A TYPICAL AT 115Vac INPUT AND 30A TYPICAL AT  
230Vac INPUT

**SWITCHING FREQUENCY:**

100KHZ TYPICAL

**EFFICIENCY:**

75% TYPICAL AT NOMINAL INPUT AND FULL LOAD

**OUTPUT INDICATOR:**

GREEN LED FOR OUTPUT PRESENT

**OVER-VOLTAGE:**

VOLTAGE LIMITED BY CROWBAR METHOD

**OVERLOAD:**

HICCUP MODE WITH AUTO-RECOVERY (110 - 130% OF  
RATED LOAD)

**SHORT CIRCUIT:**

HICCUP MODE, OUTPUT WILL AUTORECOVER UPON  
REMOVAL OF SHORT

**INPUT PROTECTION:**

INPUT LINE FUSING

**DIELECTRIC WITHSTAND VOLTAGE:**

4242Vdc FROM PRIMARY TO SECONDARY

**EARTH LEAKAGE CURRENT:**

500uA at 264Vac INPUT VOLTAGE

**EMI:**

COMPLIES WITH EN55022 CLASS B AND FCC PART 15 CLASS  
B WHEN TESTED WITH RESISTIVE LOAD, BOTH CONDUCTED  
AND RADIATED EMI.

**CE MARK:**

TESTED TO COMPLY WITH EN61000-3-2 EN61000-3-3 AND  
EN50082-1 INCLUDING EN61000-4-2 (SYSTEM LEVEL),  
EN61000-4-3, EN61000-4-4, EN61000-4-5, EN61000-4-6,  
EN61000-4-11 LEVEL 4.

**MTBF:**

GREATER THAN 200,000 HOURS AT 25°C AMBIENT  
TEMPERATURE NOMINAL LINE AND FULL LOAD (MIL-217 STD)

**OPERATING TEMPERATURE:**

0°C TO 40°C AMBIENT TEMPERATURE

**HUMIDITY:**

0% TO 90% RELATIVE HUMIDITY

**STORAGE TEMPERATURE:**

- 40°C TO 80°C

**NOTE:**

CUSTOMIZATION AVAILABLE UPON REQUEST

**OUTPUT VOLTAGE / CURRENT:**

**CLASS II WITH FUNCTIONAL EARTH ITE MODEL OUTPUT RATING**

MODEL NUMBER CLASS I MODEL OUTPUT RATING	OUTPUT VOLTAGE (VDC)	AC SYNCHRONIZATION	OUTPUT CURRENT (A)	RATED OUTPUT POWER(W)
GT-21086-3005	+5.0	✓	0 - 6.0	0 - 30
GT-21086-4509-X.X	+9.0	✓	0 - 5.0	0 - 45
GT-21086-5012-X.X	+12.0	✓	0 - 4.1	0 - 50
GT-21086-5015-X.X	+15.0	✓	0 - 3.3	0 - 50
GT-21086-5018-X.X	+18.0	✓	0 - 2.7	0 - 50
GT-21086-5024-5.0-X.X	+19.0	✓	0 - 2.6	0 - 50
GT-21086-5024.4.0-X.X	+20.0	✓	0 - 2.5	0 - 50
GT-21086-5024-2.0-X.X	+22.0	✓	0 - 2.3	0 - 50
GT-21086-5024-X.X	+24.0	✓	0 - 2.1	0 - 50
GT-21086-5048-12.0-X.X	+36.0	✓	0 - 1.4	0 - 50
GT-21086-5048-X.X	+48.0	✓	0 - 1.0	0 - 50

SPECIFICATIONS MAY CHANGE WITHOUT PRIOR NOTICE. CONSULT GLOBTEK CUSTOMER SERVICE FOR LATEST SPECIFICATIONS.

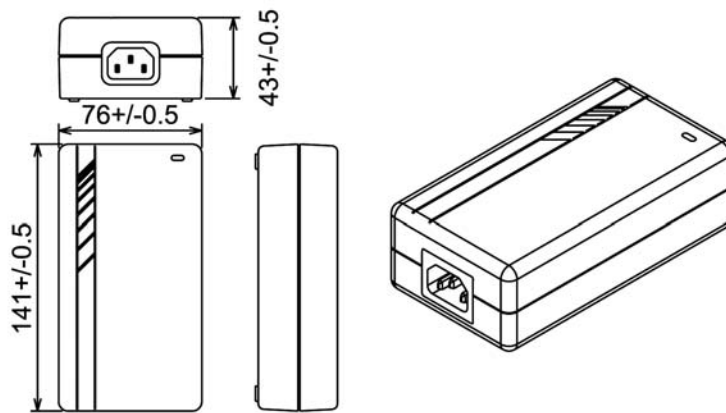


**Switcher, 0-50 Watt, Single Output with AC SYNC Output,  
Desktop Universal Input, ITE, CLASS I**

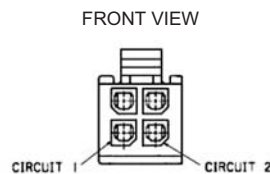
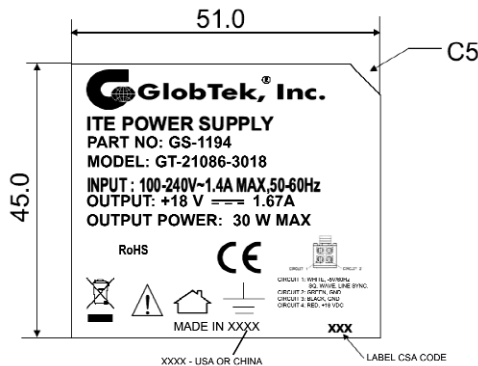


**ENCLOSURE**

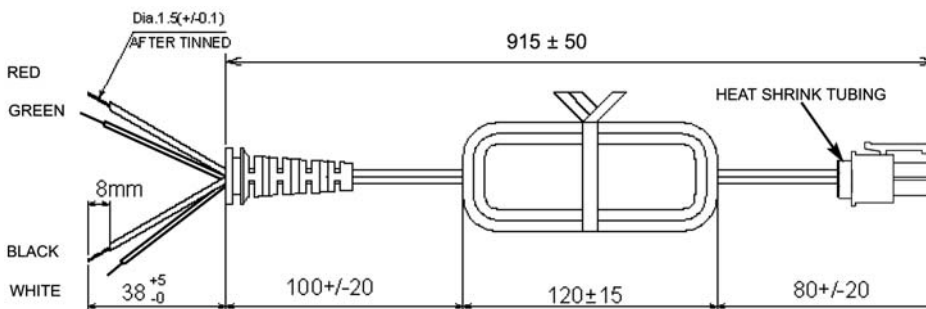
HOUSING: HIGH IMPACT PLASTIC 94V0 POLYCARBONATE, NON- VENTED, COLOR BLACK  
SIZE: 141 x 76 x 43 ± 1 mm



**INPUT AND OUTPUT CONNECTION INPUT :**  
**CONFIGURATION:**  
CLASS I MODEL IEC320 / C14,  
AC POWER INLET WITH 3  
MALE PRONGS  
**OUTPUT CORD:**  
4 CONDUCTORS, 2 X 18 AWG &  
2 X 22 AWG STRANDED WIRE,  
ROUND UL 2464 CORD TYPE,  
COLOR BLACK ,  
**LENGTH OF CORD:**  
915 +50,-0 MM.. CORD IS  
MEASURED FROM THE  
HOUSING TO THE MOLEX  
CONNECTOR.  
CABLE IS TO BE MARKED WITH  
WIRE GAUGE, AND ALL APPLIC-  
ABLE RATING AND SAFETY  
APPROVALS.  
**OUTPUT CONNECTOR:**  
MOLEX HOUSING  
P/N: 43025-0400, 4 PINS;  
TERMINAL P/N: 43030-0007  
OR EQUIVALENT



CIRCUIT 1: WHITE, -5V/60Hz  
SQ. WAVE, LINE SYNC.  
CIRCUIT 2: GREEN, GND  
CIRCUIT 3: BLACK, GND  
CIRCUIT 4: RED, +18 VDC



**NOTE:** FOR OTHER OUTPUT CONNECTOR OPTIONS,  
SEE OUTPUT/PLUG/CORD OPTIONS PAGE.

