



ISO 9001:2000  
REGISTERED

GT-81083-YYZZ-X.X-W2



**5 Watt Low-Profile Wall Plug-In, Single Output, 4 to13 VDC Switching Power Supply: N.A., Universal Input, ITE, Class II, Energy Star**



**ELECTRICAL SPECIFICATIONS:**

**INPUT VOLTAGE: 9**

0 VAC TO 264 VAC

**INPUT CURRENT:**

< 0.2A RMS AT 90 VAC INPUT

**INPUT FREQUENCY:**

47 HZ - 63 HZ

**OUTPUT CURRENT:**

SEE OUTPUT RATING ABOVE, NO MINIMUM LOAD REQUIRED

**OUTPUT POWER (RATED):**

5 WATTS MAX

**OUTPUT RIPPLE VOLTAGE (PEAK TO PEAK):**

+/-1% OR 100 mV WHICHEVER IS GREATER AT NOMINAL OUTPUT VOLTAGE. MEASURED AT 20 MHz BANDWIDTH WITH 0.1µf CERAMIC CAPACITOR IN PARALLEL WITH 10 µf ELECTROLYTIC CAPACITOR CONNECTED AT THE END OF THE OUTPUT CONNECTOR.

**OUTPUT REGULATION (LINE/LOAD):**

+ 5% FOR MAIN OUTPUT, MEASURED AT O/P CONNECTOR

**LINE REGULATION:**

+ 2% MAX AT FULL LOAD

**TURN ON/ TURN OFF OVERSHOOT:**

± 5% MAX 500µs MAX RECOVERY TIME FOR 25% STEP LOAD

**TURN-ON DELAY:**

< 2 SEC

**HOLD-UP TIME:**

5 mSEC MIN AT NOMINAL INPUT AND FULL LOAD

**NO LOAD POWER CONSUMPTION:**

COMPLIES WITH ENERGY STAR AND EISA, EFFICIENCY LEVEL IV (NORTH AMERICA)

**SWITCHING FREQUENCY:**

65 KHZ TYPICAL

**OVER-VOLTAGE PROTECTION:**

PROTECTED, UNIT WILL AUTO-RECOVER UPON REMOVAL OF FAULT

**OVER-CURRENT/SHORT CIRCUIT:**

PROTECTED, UNIT WILL AUTO-RECOVER UPON REMOVAL OF FAULT

**OTHER PROTECTION:**

INPUT FUSING

**SAFETY APPROVALS(PENDING) :**

UL60950-1:2003, 1-st ED., CUL TO 22.2 # 60950-1:2003,1-st ED., CE CLASS II

**DIELECTRIC WITHSTAND VOLTAGE:**

4242VDC PRIMARY-SECONDARY; 2121 VDC PRIMARY - GROUND

**LEAKAGE CURRENT:**

< 0.25 mA AT NOMINAL AC INPUT VOLTAGE AND FREQUENCY

**EMI:**

COMPLIES WITH EN55022, CLASS B AND FCC PART 15 CLASS B WHEN TESTED WITH A RESISTIVE LOAD, BOTH CONDUCTED AND RADIATED

**CE MARK:**

TESTED TO COMPLY WITH EN61000-3-2 EN61000-3-3, AND EN50082-1, INCLUDING EN61000-4-2, EN61000-4-3, EN61000-4-4, EN61000-4-5, EN61000-4-6, EN61000-4-11

**EFFICIENCY:**

COMPLIES TO SECTION 301 OF ENERGY INDEPENDENCE AND SECURITY ACT (EISA) COMPLIES WITH ENERGY STAR TIER 2 (NORTH AMERICA), CECP TIER 2 (CHINA), MEPS TIER 2 (AUSTRALIA), CODE OF CONDUCT (EUROPE)

**MTBF:**

200,000 HOURS AT 25°C AMBIENT TEMPERATURE

**OPERATING TEMPERATURE:**

0°C TO 40° C

**STORAGE TEMPERATURE:**

20°C TO 85° C

**HUMIDITY:**

0% TO 90% RELATIVE HUMIDITY, OPERATING

**ROHS:**

COMPLIES WITH EU 2002/95/EC AND CHINA SJ/T 11363-2006

**NOTES:**

1. -: ITE MODEL
2. EACH OUTPUT CURRENT AND POWER CAN VARY WITHIN ITS DESIGNATION RANGE AS LONG AS THE MAXIMUM CURRENT AND OUTPUT POWER ARE NOT EXCEEDED.
3. SINGLE OUTPUT UNITS ARE AVAILABLE FROM 3V UP TO 13V IN 0.1V INCREMENTS
4. -X.X: OPTIONAL FOR SPECIFYING OUTPUT VOLTAGE DEVIATION FROM STANDARD MODEL (EXAMPLE: 12 VDC MODEL = GT-81083-0513-1.0-W2).
5. -W2: STANDARD US WALL PLUG-IN MODEL WITH NEMA 1-15P BLADE CONFIGURATION.

**OUTPUT VOLTAGE / CURRENT:**

MODEL NUMBER	OUTPUT VOLTAGE (VDC)	OUTPUT CURRENT (A)	RATED OUTPUT POWER (W)
GT-81083-0404-X.X-W2	+3.0 to 4.0	0 - 1.00	4.0
GT-81083-0506-X.X-W2	+4.1 to 6.0	0 - 1.00	5.0
GT-81083-0509-X.X-W2	+6.1 to 9.0	0 - 0.82	5.0
GT-81083-0513-X.X-W2	+9.1 to 13.0	0 - 0.55	5.0

SPECIFICATIONS MAY CHANGE WITHOUT PRIOR NOTICE. CONSULT GLOBTEK CUSTOMER SERVICE FOR LATEST SPECIFICATIONS.

[www.globtek.com](http://www.globtek.com)

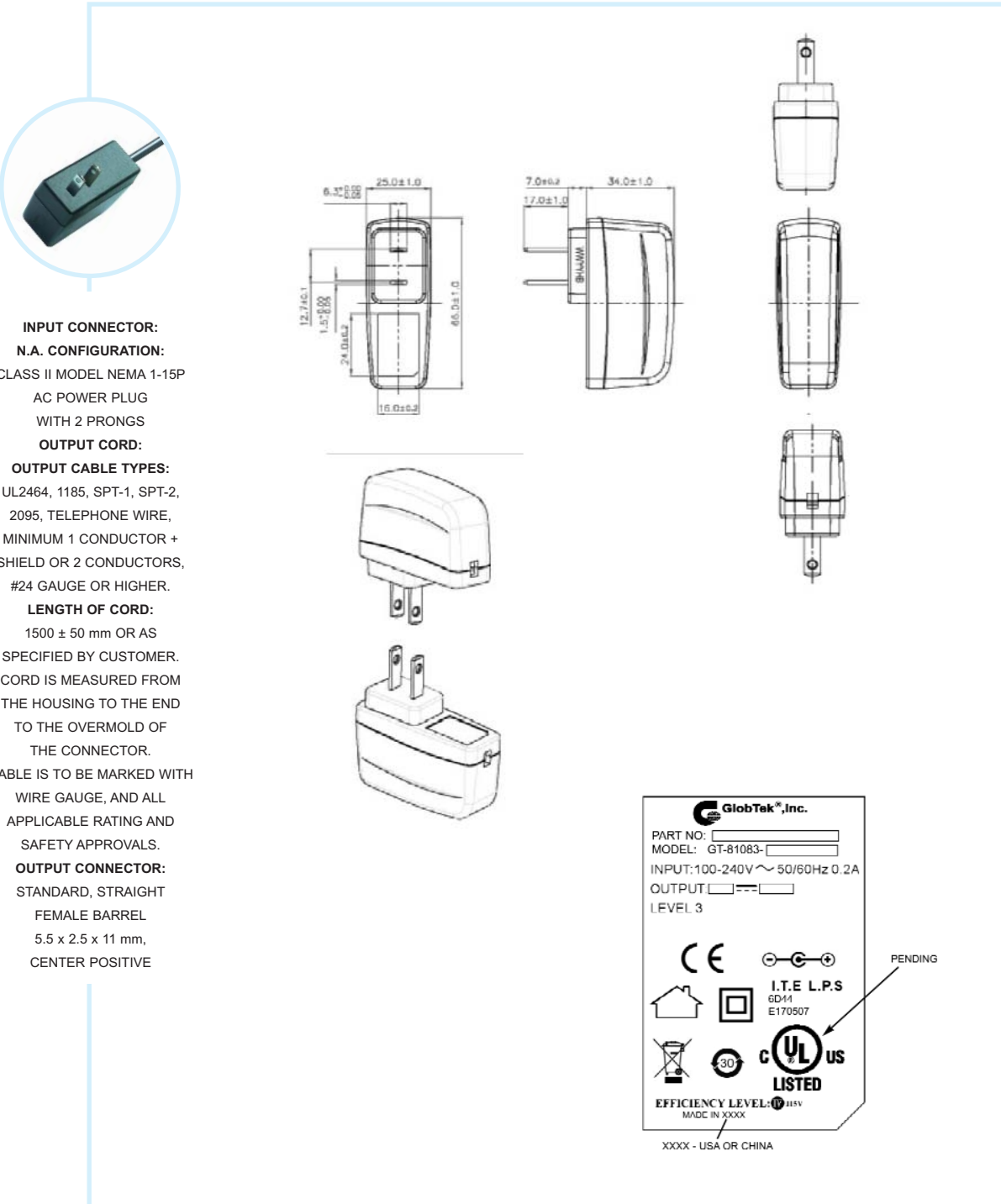
+1.201.784.1000



**5 Watt Low-Profile Wall Plug-In, Single Output, 4 to 13VDC Switching Power Supply: N.A., Universal Input, ITE, Class II, Energy Star**

**ENCLOSURE:**

HOUSING: HIGH IMPACT PLASTIC, 94VO POLYCARBONATE, NON-VENTED, COLOR BLACK  
 SIZE: 66 x 41 x 25 + 1mm





ISO 9001:2000  
REGISTERED

GT-81083-YYZZ-X.X-W2E



**5 Watt Low-Profile Wall Plug-In, Single Output, 4 to 13 VDC Switching Power Supply: Euro., Universal Input, ITE, Class II, Energy Star**



**ELECTRICAL SPECIFICATIONS:**

**INPUT VOLTAGE: 9**

0 VAC TO 264 VAC

**INPUT CURRENT:**

< 0.2A RMS AT 90 VAC INPUT

**INPUT FREQUENCY:**

47 HZ - 63 HZ

**OUTPUT CURRENT:**

SEE OUTPUT RATING ABOVE, NO MINIMUM LOAD REQUIRED

**OUTPUT POWER (RATED):**

5 WATTS MAX

**OUTPUT RIPPLE VOLTAGE (PEAK TO PEAK):**

+/-1% OR 100 mV WHICHEVER IS GREATER AT NOMINAL OUTPUT VOLTAGE. MEASURED AT 20 MHz BANDWIDTH WITH 0.1µf CERAMIC CAPACITOR IN PARALLEL WITH 10 µf ELECTROLYTIC CAPACITOR CONNECTED AT THE END OF THE OUTPUT CONNECTOR.

**OUTPUT REGULATION (LINE/LOAD):**

+ 5% FOR MAIN OUTPUT, MEASURED AT O/P CONNECTOR

**LINE REGULATION:**

+ 2% MAX AT FULL LOAD

**TURN ON/ TURN OFF OVERSHOOT:**

± 5% MAX 500µs MAX RECOVERY TIME FOR 25% STEP LOAD

**TURN-ON DELAY:**

< 2 SEC

**HOLD-UP TIME:**

5 mSEC MIN AT NOMINAL INPUT AND FULL LOAD

**NO LOAD POWER CONSUMPTION:**

COMPLIES WITH ENERGY STAR AND EISA, EFFICIENCY LEVEL IV (NORTH AMERICA)

**SWITCHING FREQUENCY:**

65 KHZ TYPICAL

**OVER-VOLTAGE PROTECTION:**

PROTECTED, UNIT WILL AUTO-RECOVER UPON REMOVAL OF FAULT

**OVER-CURRENT/SHORT CIRCUIT:**

PROTECTED, UNIT WILL AUTO-RECOVER UPON REMOVAL OF FAULT

**OTHER PROTECTION:**

INPUT FUSING

**SAFETY APPROVALS(PENDING) :**

UL60950-1:2003, 1-st ED., CUL TO 22.2 # 60950-1:2003,1-st ED., CE CLASS II

**DIELECTRIC WITHSTAND VOLTAGE:**

4242VDC PRIMARY-SECONDARY; 2121 VDC PRIMARY - GROUND

**LEAKAGE CURRENT:**

< 0.25 mA AT NOMINAL AC INPUT VOLTAGE AND FREQUENCY

**EMI:**

COMPLIES WITH EN55022, CLASS B AND FCC PART 15 CLASS B WHEN TESTED WITH A RESISTIVE LOAD, BOTH CONDUCTED AND RADIATED

**CE MARK:**

TESTED TO COMPLY WITH EN61000-3-2 EN61000-3-3, AND EN50082-1, INCLUDING EN61000-4-2, EN61000-4-3, EN61000-4-4, EN61000-4-5, EN61000-4-6, EN61000-4-11

**EFFICIENCY:**

COMPLIES TO SECTION 301 OF ENERGY INDEPENDENCE AND SECURITY ACT (EISA) COMPLIES WITH ENERGY STAR TIER 2 (NORTH AMERICA), CECP TIER 2 (CHINA), MEPS TIER 2 (AUSTRALIA), CODE OF CONDUCT (EUROPE)

**MTBF:**

200,000 HOURS AT 25°C AMBIENT TEMPERATURE

**OPERATING TEMPERATURE:**

0°C TO 40° C

**STORAGE TEMPERATURE:**

20°C TO 85° C

**HUMIDITY:**

0% TO 90% RELATIVE HUMIDITY, OPERATING

**ROHS:**

COMPLIES WITH EU 2002/95/EC AND CHINA SJ/T 11363-2006

**NOTES:**

1. -: ITE MODEL
2. EACH OUTPUT CURRENT AND POWER CAN VARY WITHIN ITS DESIGNATION RANGE AS LONG AS THE MAXIMUM CURRENT AND OUTPUT POWER ARE NOT EXCEEDED.
3. SINGLE OUTPUT UNITS ARE AVAILABLE FROM 3V UP TO 13V IN 0.1V INCREMENTS
4. -X.X: OPTIONAL FOR SPECIFYING OUTPUT VOLTAGE DEVIATION FROM STANDARD MODEL (EXAMPLE: 12 VDC MODEL = GT-81083-0513-1.0-W2E).
5. -W2: STANDARD US WALL PLUG-IN MODEL WITH NEMA 1-15P BLADE CONFIGURATION.

**OUTPUT VOLTAGE / CURRENT:**

MODEL NUMBER	OUTPUT VOLTAGE (VDC)	OUTPUT CURRENT (A)	RATED OUTPUT POWER (W)
GT-81083-0404-X.X-W2E	+3.0 to 4.0	0 - 1.00	4.0
GT-81083-0506-X.X-W2E	+4.1 to 6.0	0 - 1.00	5.0
GT-81083-0509-X.X-W2E	+6.1 to 9.0	0 - 0.82	5.0
GT-81083-0513-X.X-W2E	+9.1 to 13.0	0 - 0.55	5.0

SPECIFICATIONS MAY CHANGE WITHOUT PRIOR NOTICE. CONSULT GLOBTEK CUSTOMER SERVICE FOR LATEST SPECIFICATIONS.

[www.globtek.com](http://www.globtek.com)

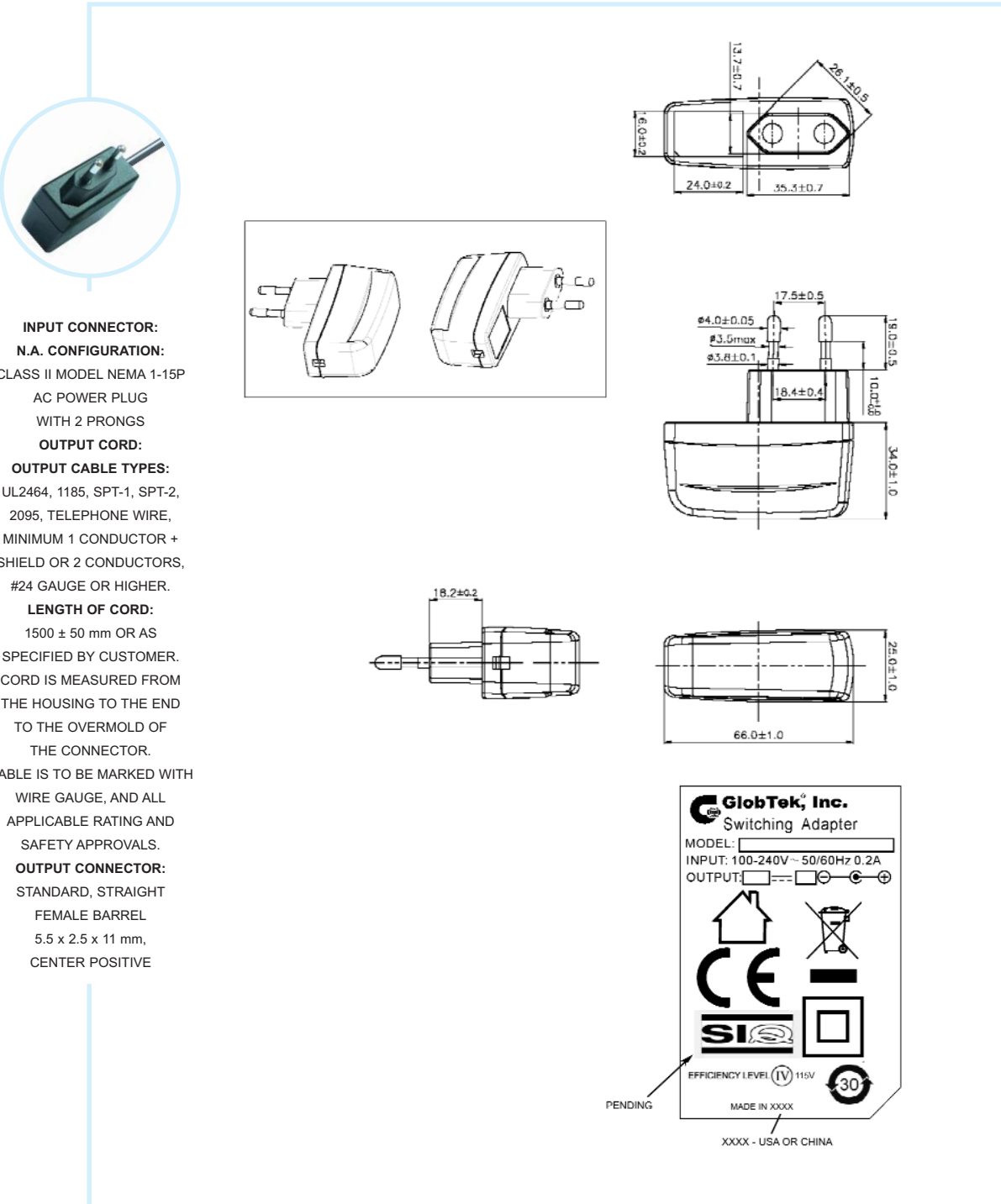
+1.201.784.1000



**5 Watt Low-Profile Wall Plug-In, Single Output, 4 to 13VDC Switching Power Supply: Euro., Universal Input, ITE, Class II, Energy Star**

**ENCLOSURE:**

HOUSING: HIGH IMPACT PLASTIC, 94VO POLYCARBONATE, NON-VENTED, COLOR BLACK  
 SIZE: 66 x 34 x 25 + 1mm



**INPUT CONNECTOR:**  
**N.A. CONFIGURATION:**  
 CLASS II MODEL NEMA 1-15P  
 AC POWER PLUG  
 WITH 2 PRONGS

**OUTPUT CORD:**  
**OUTPUT CABLE TYPES:**  
 UL2464, 1185, SPT-1, SPT-2,  
 2095, TELEPHONE WIRE,  
 MINIMUM 1 CONDUCTOR +  
 SHIELD OR 2 CONDUCTORS,  
 #24 GAUGE OR HIGHER.

**LENGTH OF CORD:**  
 1500 ± 50 mm OR AS  
 SPECIFIED BY CUSTOMER.  
 CORD IS MEASURED FROM  
 THE HOUSING TO THE END  
 TO THE OVERMOLD OF  
 THE CONNECTOR.

CABLE IS TO BE MARKED WITH  
 WIRE GAUGE, AND ALL  
 APPLICABLE RATING AND  
 SAFETY APPROVALS.

**OUTPUT CONNECTOR:**  
 STANDARD, STRAIGHT  
 FEMALE BARREL  
 5.5 x 2.5 x 11 mm,  
 CENTER POSITIVE

**GlobTek, Inc.**  
 Switching Adapter  
 MODEL:   
 INPUT: 100-240V~ 50/60Hz 0.2A  
 OUTPUT:  ---  ---  ---

EFFICIENCY LEVEL (IV) 115V

MADE IN XXXX  
 XXXX - USA OR CHINA





ISO 9001:2000  
REGISTERED

GT-81083-YYZZ-X.X-W2U



**5 Watt Low-Profile Wall Plug-In, Single Output, 4 to 13 VDC Switching Power Supply: UK, Universal Input, ITE, Class II, Energy Star**



**ELECTRICAL SPECIFICATIONS:**

**INPUT VOLTAGE: 9**

0 VAC TO 264 VAC

**INPUT CURRENT:**

< 0.2A RMS AT 90 VAC INPUT

**INPUT FREQUENCY:**

47 HZ - 63 HZ

**OUTPUT CURRENT:**

SEE OUTPUT RATING ABOVE, NO MINIMUM LOAD REQUIRED

**OUTPUT POWER (RATED):**

5 WATTS MAX

**OUTPUT RIPPLE VOLTAGE (PEAK TO PEAK):**

+/-1% OR 100 mV WHICHEVER IS GREATER AT NOMINAL OUTPUT VOLTAGE. MEASURED AT 20 MHz BANDWIDTH WITH 0.1µf CERAMIC CAPACITOR IN PARALLEL WITH 10 µf ELECTROLYTIC CAPACITOR CONNECTED AT THE END OF THE OUTPUT CONNECTOR.

**OUTPUT REGULATION (LINE/LOAD):**

+ 5% FOR MAIN OUTPUT, MEASURED AT O/P CONNECTOR

**LINE REGULATION:**

+ 2% MAX AT FULL LOAD

**TURN ON/ TURN OFF OVERSHOOT:**

± 5% MAX 500µs MAX RECOVERY TIME FOR 25% STEP LOAD

**TURN-ON DELAY:**

< 2 SEC

**HOLD-UP TIME:**

5 mSEC MIN AT NOMINAL INPUT AND FULL LOAD

**NO LOAD POWER CONSUMPTION:**

COMPLIES WITH ENERGY STAR AND EISA, EFFICIENCY LEVEL IV (NORTH AMERICA)

**SWITCHING FREQUENCY:**

65 KHZ TYPICAL

**OVER-VOLTAGE PROTECTION:**

PROTECTED, UNIT WILL AUTO-RECOVER UPON REMOVAL OF FAULT

**OVER-CURRENT/SHORT CIRCUIT:**

PROTECTED, UNIT WILL AUTO-RECOVER UPON REMOVAL OF FAULT

**OTHER PROTECTION:**

INPUT FUSING

**SAFETY APPROVALS(PENDING) :**

UL60950-1:2003, 1-st ED., CUL TO 22.2 # 60950-1:2003,1-st ED., CE CLASS II

**DIELECTRIC WITHSTAND VOLTAGE:**

4242VDC PRIMARY-SECONDARY; 2121 VDC PRIMARY - GROUND

**LEAKAGE CURRENT:**

< 0.25 mA AT NOMINAL AC INPUT VOLTAGE AND FREQUENCY

**EMI:**

COMPLIES WITH EN55022, CLASS B AND FCC PART 15 CLASS B WHEN TESTED WITH A RESISTIVE LOAD, BOTH CONDUCTED AND RADIATED

**CE MARK:**

TESTED TO COMPLY WITH EN61000-3-2 EN61000-3-3, AND EN50082-1, INCLUDING EN61000-4-2, EN61000-4-3, EN61000-4-4, EN61000-4-5, EN61000-4-6, EN61000-4-11

**EFFICIENCY:**

COMPLIES TO SECTION 301 OF ENERGY INDEPENDENCE AND SECURITY ACT (EISA) COMPLIES WITH ENERGY STAR TIER 2 (NORTH AMERICA), CECP TIER 2 (CHINA), MEPS TIER 2 (AUSTRALIA), CODE OF CONDUCT (EUROPE)

**MTBF:**

200,000 HOURS AT 25°C AMBIENT TEMPERATURE

**OPERATING TEMPERATURE:**

0°C TO 40° C

**STORAGE TEMPERATURE:**

20°C TO 85° C

**HUMIDITY:**

0% TO 90% RELATIVE HUMIDITY, OPERATING

**ROHS:**

COMPLIES WITH EU 2002/95/EC AND CHINA SJ/T 11363-2006

**NOTES:**

1. -: ITE MODEL
2. EACH OUTPUT CURRENT AND POWER CAN VARY WITHIN ITS DESIGNATION RANGE AS LONG AS THE MAXIMUM CURRENT AND OUTPUT POWER ARE NOT EXCEEDED.
3. SINGLE OUTPUT UNITS ARE AVAILABLE FROM 3V UP TO 13V IN 0.1V INCREMENTS
4. -X.X: OPTIONAL FOR SPECIFYING OUTPUT VOLTAGE DEVIATION FROM STANDARD MODEL (EXAMPLE: 12 VDC MODEL = GT-81083-0513-1.0-W2U).
5. -W2: STANDARD US WALL PLUG-IN MODEL WITH NEMA 1-15P BLADE CONFIGURATION.

**OUTPUT VOLTAGE / CURRENT:**

MODEL NUMBER	OUTPUT VOLTAGE (VDC)	OUTPUT CURRENT (A)	RATED OUTPUT POWER (W)
GT-81083-0404-X.X-W2U	+3.0 to 4.0	0 - 1.00	4.0
GT-81083-0506-X.X-W2U	+4.1 to 6.0	0 - 1.00	5.0
GT-81083-0509-X.X-W2U	+6.1 to 9.0	0 - 0.82	5.0
GT-81083-0513-X.X-W2U	+9.1 to 13.0	0 - 0.55	5.0

SPECIFICATIONS MAY CHANGE WITHOUT PRIOR NOTICE. CONSULT GLOBTEK CUSTOMER SERVICE FOR LATEST SPECIFICATIONS.

[www.globtek.com](http://www.globtek.com)


+1.201.784.1000



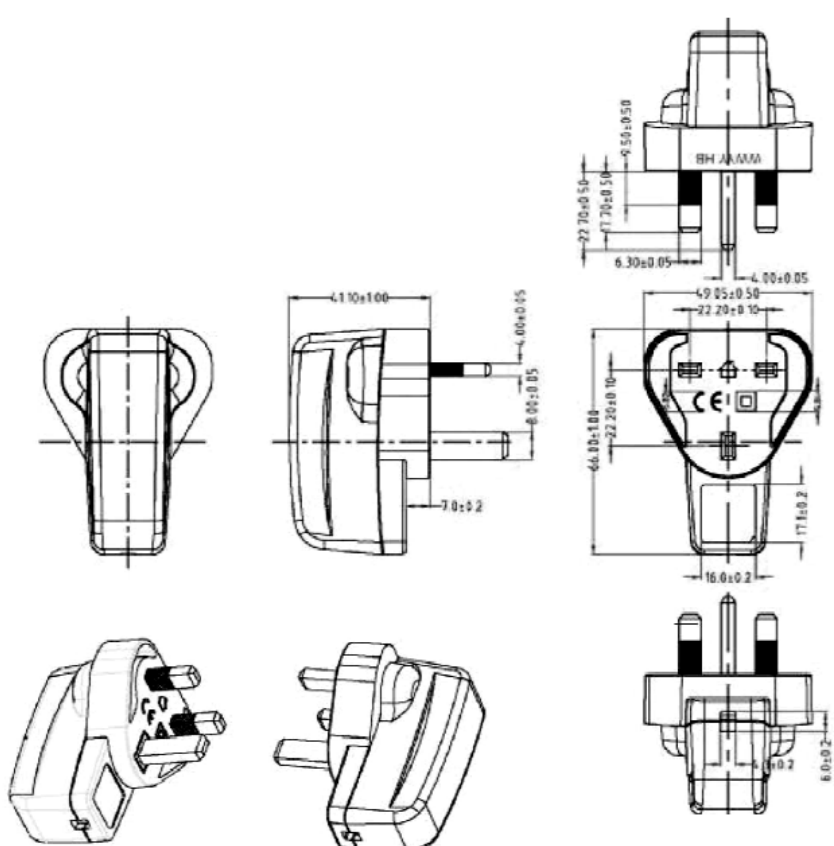
**5 Watt Low-Profile Wall Plug-In, Single Output, 4 to 13VDC Switching Power Supply: UK, Universal Input, ITE, Class II, Energy Star**




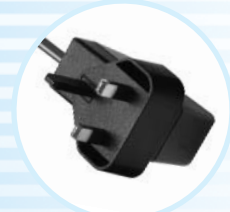
**ENCLOSURE:**


HOUSING: HIGH IMPACT PLASTIC, 94VO POLYCARBONATE, NON-VENTED, COLOR BLACK  
SIZE: 66 x 34 x 25 + 1mm



**INPUT CONNECTOR:**  
N.A. CONFIGURATION:  
CLASS II MODEL NEMA 1-15P  
AC POWER PLUG  
WITH 2 PRONGS  
**OUTPUT CORD:**  
**OUTPUT CABLE TYPES:**  
UL2464, 1185, SPT-1, SPT-2,  
2095, TELEPHONE WIRE,  
MINIMUM 1 CONDUCTOR +  
SHIELD OR 2 CONDUCTORS,  
#24 GAUGE OR HIGHER.  
**LENGTH OF CORD:**  
1500 ± 50 mm OR AS  
SPECIFIED BY CUSTOMER.  
CORD IS MEASURED FROM  
THE HOUSING TO THE END  
TO THE OVERMOLD OF  
THE CONNECTOR.  
CABLE IS TO BE MARKED WITH  
WIRE GAUGE, AND ALL  
APPLICABLE RATING AND  
SAFETY APPROVALS.  
**OUTPUT CONNECTOR:**  
STANDARD, STRAIGHT  
FEMALE BARREL  
5.5 x 2.5 x 11 mm,  
CENTER POSITIVE





PENDING

XXXX - USA OR CHINA

SPECIFICATIONS MAY CHANGE WITHOUT PRIOR NOTICE. CONSULT GLOBTEK CUSTOMER SERVICE FOR LATEST SPECIFICATIONS.



ISO 9001:2000  
REGISTERED

GT-81083-AUS-YYZZ-X.X-W2



**5 Watt Low-Profile Wall Plug-In, Single Output, 4 to13 VDC Switching Power Supply: N.A., Universal Input, ITE, Class II, Energy Star**



**ELECTRICAL SPECIFICATIONS:**

**INPUT VOLTAGE: 9**

0 VAC TO 264 VAC

**INPUT CURRENT:**

< 0.2A RMS AT 90 VAC INPUT

**INPUT FREQUENCY:**

47 HZ - 63 HZ

**OUTPUT CURRENT:**

SEE OUTPUT RATING ABOVE, NO MINIMUM LOAD REQUIRED

**OUTPUT POWER (RATED):**

5 WATTS MAX

**OUTPUT RIPPLE VOLTAGE (PEAK TO PEAK):**

+/-1% OR 100 mV WHICHEVER IS GREATER AT NOMINAL OUTPUT VOLTAGE. MEASURED AT 20 MHz BANDWIDTH WITH 0.1µf CERAMIC CAPACITOR IN PARALLEL WITH 10 µf ELECTROLYTIC CAPACITOR CONNECTED AT THE END OF THE OUTPUT CONNECTOR.

**OUTPUT REGULATION (LINE/LOAD):**

+ 5% FOR MAIN OUTPUT, MEASURED AT O/P CONNECTOR

**LINE REGULATION:**

+ 2% MAX AT FULL LOAD

**TURN ON/ TURN OFF OVERSHOOT:**

± 5% MAX 500µs MAX RECOVERY TIME FOR 25% STEP LOAD

**TURN-ON DELAY:**

< 2 SEC

**HOLD-UP TIME:**

5 mSEC MIN AT NOMINAL INPUT AND FULL LOAD

**NO LOAD POWER CONSUMPTION:**

COMPLIES WITH ENERGY STAR AND EISA, EFFICIENCY LEVEL IV (NORTH AMERICA)

**SWITCHING FREQUENCY:**

65 KHZ TYPICAL

**OVER-VOLTAGE PROTECTION:**

PROTECTED, UNIT WILL AUTO-RECOVER UPON REMOVAL OF FAULT

**OVER-CURRENT/SHORT CIRCUIT:**

PROTECTED, UNIT WILL AUTO-RECOVER UPON REMOVAL OF FAULT

**OTHER PROTECTION:**

INPUT FUSING

**SAFETY APPROVALS(PENDING) :**

UL60950-1:2003, 1-st ED., CUL TO 22.2 # 60950-1:2003,1-st ED., CE CLASS II

**DIELECTRIC WITHSTAND VOLTAGE:**

4242VDC PRIMARY-SECONDARY; 2121 VDC PRIMARY - GROUND

**LEAKAGE CURRENT:**

< 0.25 mA AT NOMINAL AC INPUT VOLTAGE AND FREQUENCY

**EMI:**

COMPLIES WITH EN55022, CLASS B AND FCC PART 15 CLASS B WHEN TESTED WITH A RESISTIVE LOAD, BOTH CONDUCTED AND RADIATED

**CE MARK:**

TESTED TO COMPLY WITH EN61000-3-2 EN61000-3-3, AND EN50082-1, INCLUDING EN61000-4-2, EN61000-4-3, EN61000-4-4, EN61000-4-5, EN61000-4-6, EN61000-4-11

**EFFICIENCY:**

COMPLIES TO SECTION 301 OF ENERGY INDEPENDENCE AND SECURITY ACT (EISA) COMPLIES WITH ENERGY STAR TIER 2 (NORTH AMERICA), CECP TIER 2 (CHINA), MEPS TIER 2 (AUSTRALIA), CODE OF CONDUCT (EUROPE)

**MTBF:**

200,000 HOURS AT 25°C AMBIENT TEMPERATURE

**OPERATING TEMPERATURE:**

0°C TO 40° C

**STORAGE TEMPERATURE:**

20°C TO 85° C

**HUMIDITY:**

0% TO 90% RELATIVE HUMIDITY, OPERATING

**ROHS:**

COMPLIES WITH EU 2002/95/EC AND CHINA SJ/T 11363-2006

**NOTES:**

1. -: ITE MODEL
2. EACH OUTPUT CURRENT AND POWER CAN VARY WITHIN ITS DESIGNATION RANGE AS LONG AS THE MAXIMUM CURRENT AND OUTPUT POWER ARE NOT EXCEEDED.
3. SINGLE OUTPUT UNITS ARE AVAILABLE FROM 3V UP TO 13V IN 0.1V INCREMENTS
4. -X.X: OPTIONAL FOR SPECIFYING OUTPUT VOLTAGE DEVIATION FROM STANDARD MODEL (EXAMPLE: 12 VDC MODEL = GT-81083-0513-AUS-1.0-W2).
5. -W2: STANDARD US WALL PLUG-IN MODEL WITH NEMA 1-15P BLADE CONFIGURATION.

**OUTPUT VOLTAGE / CURRENT:**

MODEL NUMBER	OUTPUT VOLTAGE (VDC)	OUTPUT CURRENT (A)	RATED OUTPUT POWER (W)
GT-81083-0404-AUS-X.X-W2	+3.0 to 4.0	0 - 1.00	4.0
GT-81083-0506-AUS-X.X-W2	+4.1 to 6.0	0 - 1.00	5.0
GT-81083-0509-AUS-X.X-W2	+6.1 to 9.0	0 - 0.82	5.0
GT-81083-0513-AUS-X.X-W2	+9.1 to 13.0	0 - 0.55	5.0

SPECIFICATIONS MAY CHANGE WITHOUT PRIOR NOTICE. CONSULT GLOBTEK CUSTOMER SERVICE FOR LATEST SPECIFICATIONS.

[www.globtek.com](http://www.globtek.com)

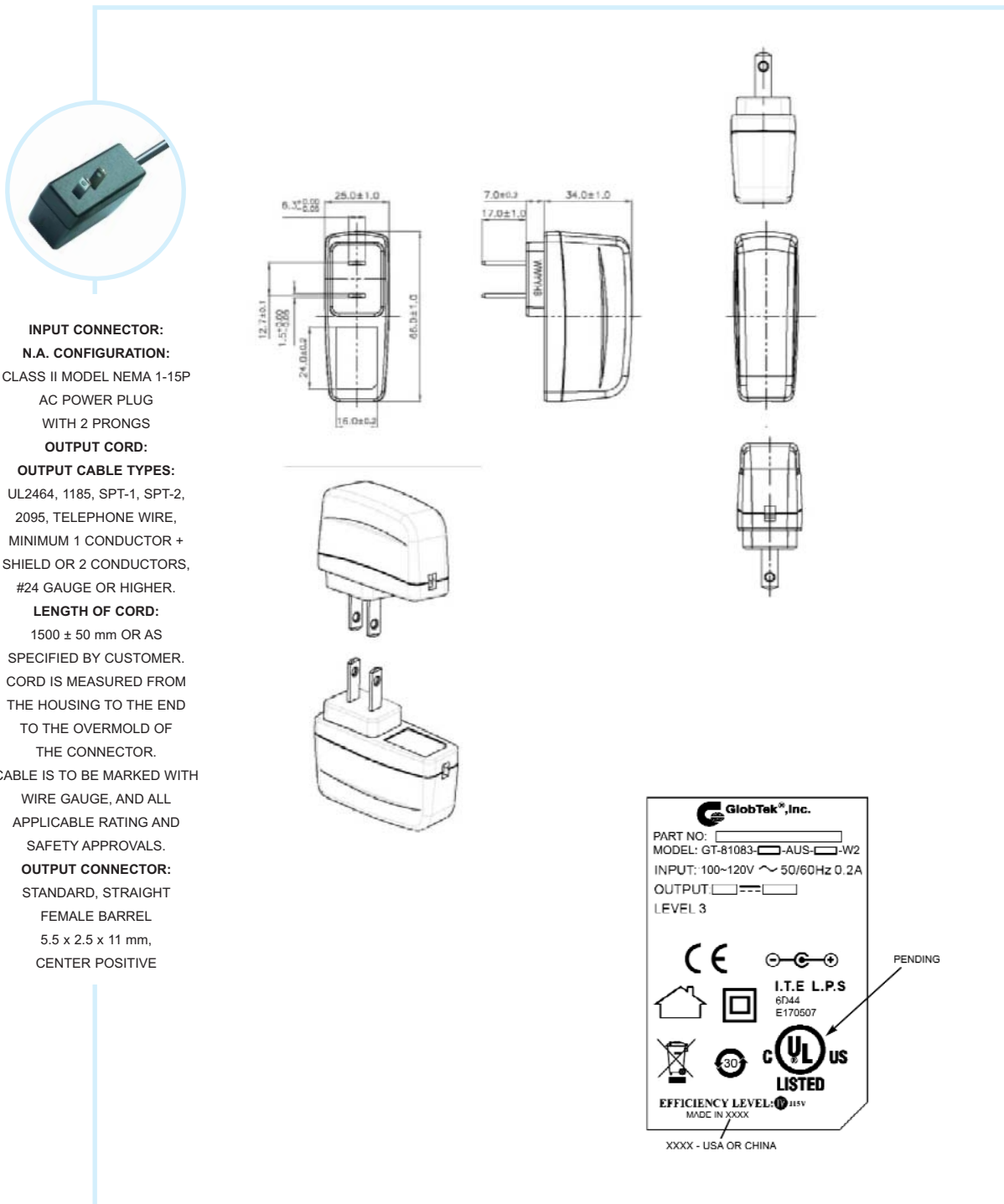
+1.201.784.1000



**5 Watt Low-Profile Wall Plug-In, Single Output, 4 to 13VDC Switching Power Supply: N.A., Universal Input, ITE, Class II, Energy Star**

**ENCLOSURE:**

HOUSING: HIGH IMPACT PLASTIC, 94VO POLYCARBONATE, NON-VENTED, COLOR BLACK  
 SIZE: 66 x 41 x 25 + 1mm



**INPUT CONNECTOR:**

**N.A. CONFIGURATION:**

CLASS II MODEL NEMA 1-15P  
 AC POWER PLUG  
 WITH 2 PRONGS

**OUTPUT CORD:**

**OUTPUT CABLE TYPES:**

UL2464, 1185, SPT-1, SPT-2,  
 2095, TELEPHONE WIRE,  
 MINIMUM 1 CONDUCTOR +  
 SHIELD OR 2 CONDUCTORS,  
 #24 GAUGE OR HIGHER.

**LENGTH OF CORD:**

1500 ± 50 mm OR AS  
 SPECIFIED BY CUSTOMER.  
 CORD IS MEASURED FROM  
 THE HOUSING TO THE END  
 TO THE OVERMOLD OF  
 THE CONNECTOR.

CABLE IS TO BE MARKED WITH  
 WIRE GAUGE, AND ALL  
 APPLICABLE RATING AND  
 SAFETY APPROVALS.

**OUTPUT CONNECTOR:**

STANDARD, STRAIGHT  
 FEMALE BARREL  
 5.5 x 2.5 x 11 mm,  
 CENTER POSITIVE

**GlobTek® Inc.**  
 PART NO: \_\_\_\_\_  
 MODEL: GT-81083- [ ]-AUS- [ ]-W2  
 INPUT: 100-120V ~ 50/60Hz 0.2A  
 OUTPUT [ ] [ ] [ ]  
 LEVEL 3

CE, I.T.E L.P.S 6744 E170507, UL LISTED US, EFFICIENCY LEVEL: 115V, MADE IN XXXX

PENDING

XXXX - USA OR CHINA





ISO 9001:2000  
REGISTERED

GT-81083-YYZZ-X.X-W2C



**5 Watt Low-Profile Wall Plug-In, Single Output, 4 to13 VDC Switching Power Supply: China, Universal Input, ITE, Class II, Energy Star**



**ELECTRICAL SPECIFICATIONS:**

**INPUT VOLTAGE: 9**

0 VAC TO 264 VAC

**INPUT CURRENT:**

< 0.2A RMS AT 90 VAC INPUT

**INPUT FREQUENCY:**

47 HZ - 63 HZ

**OUTPUT CURRENT:**

SEE OUTPUT RATING ABOVE, NO MINIMUM LOAD REQUIRED

**OUTPUT POWER (RATED):**

5 WATTS MAX

**OUTPUT RIPPLE VOLTAGE (PEAK TO PEAK):**

+/-1% OR 100 mV WHICHEVER IS GREATER AT NOMINAL OUTPUT VOLTAGE. MEASURED AT 20 MHz BANDWIDTH WITH 0.1µf CERAMIC CAPACITOR IN PARALLEL WITH 10 µf ELECTROLYTIC CAPACITOR CONNECTED AT THE END OF THE OUTPUT CONNECTOR.

**OUTPUT REGULATION (LINE/LOAD):**

+ 5% FOR MAIN OUTPUT, MEASURED AT O/P CONNECTOR

**LINE REGULATION:**

+ 2% MAX AT FULL LOAD

**TURN ON/ TURN OFF OVERSHOOT:**

± 5% MAX 500µs MAX RECOVERY TIME FOR 25% STEP LOAD

**TURN-ON DELAY:**

< 2 SEC

**HOLD-UP TIME:**

5 mSEC MIN AT NOMINAL INPUT AND FULL LOAD

**NO LOAD POWER CONSUMPTION:**

COMPLIES WITH ENERGY STAR AND EISA, EFFICIENCY LEVEL IV (NORTH AMERICA)

**SWITCHING FREQUENCY:**

65 KHZ TYPICAL

**OVER-VOLTAGE PROTECTION:**

PROTECTED, UNIT WILL AUTO-RECOVER UPON REMOVAL OF FAULT

**OVER-CURRENT/SHORT CIRCUIT:**

PROTECTED, UNIT WILL AUTO-RECOVER UPON REMOVAL OF FAULT

**OTHER PROTECTION:**

INPUT FUSING

**SAFETY APPROVALS(PENDING) :**

UL60950-1:2003, 1-st ED., CUL TO 22.2 # 60950-1:2003,1-st ED., CE CLASS II

**DIELECTRIC WITHSTAND VOLTAGE:**

4242VDC PRIMARY-SECONDARY; 2121 VDC PRIMARY - GROUND

**LEAKAGE CURRENT:**

< 0.25 mA AT NOMINAL AC INPUT VOLTAGE AND FREQUENCY

**EMI:**

COMPLIES WITH EN55022, CLASS B AND FCC PART 15 CLASS B WHEN TESTED WITH A RESISTIVE LOAD, BOTH CONDUCTED AND RADIATED

**CE MARK:**

TESTED TO COMPLY WITH EN61000-3-2 EN61000-3-3, AND EN50082-1, INCLUDING EN61000-4-2, EN61000-4-3, EN61000-4-4, EN61000-4-5, EN61000-4-6, EN61000-4-11

**EFFICIENCY:**

COMPLIES TO SECTION 301 OF ENERGY INDEPENDENCE AND SECURITY ACT (EISA) COMPLIES WITH ENERGY STAR TIER 2 (NORTH AMERICA), CECP TIER 2 (CHINA), MEPS TIER 2 (AUSTRALIA), CODE OF CONDUCT (EUROPE)

**MTBF:**

200,000 HOURS AT 25°C AMBIENT TEMPERATURE

**OPERATING TEMPERATURE:**

0°C TO 40° C

**STORAGE TEMPERATURE:**

20°C TO 85° C

**HUMIDITY:**

0% TO 90% RELATIVE HUMIDITY, OPERATING

**ROHS:**

COMPLIES WITH EU 2002/95/EC AND CHINA SJ/T 11363-2006

**NOTES:**

1. -: ITE MODEL
2. EACH OUTPUT CURRENT AND POWER CAN VARY WITHIN ITS DESIGNATION RANGE AS LONG AS THE MAXIMUM CURRENT AND OUTPUT POWER ARE NOT EXCEEDED.
3. SINGLE OUTPUT UNITS ARE AVAILABLE FROM 3V UP TO 13V IN 0.1V INCREMENTS
4. -X.X: OPTIONAL FOR SPECIFYING OUTPUT VOLTAGE DEVIATION FROM STANDARD MODEL (EXAMPLE: 12 VDC MODEL = GT-81083-0513-1.0-W2C).
5. -W2: STANDARD US WALL PLUG-IN MODEL WITH NEMA 1-15P BLADE CONFIGURATION.

**OUTPUT VOLTAGE / CURRENT:**

MODEL NUMBER	OUTPUT VOLTAGE (VDC)	OUTPUT CURRENT (A)	RATED OUTPUT POWER (W)
GT-81083-0404-X.X-W2C	+3.0 to 4.0	0 - 1.00	4.0
GT-81083-0506-X.X-W2C	+4.1 to 6.0	0 - 1.00	5.0
GT-81083-0509-X.X-W2C	+6.1 to 9.0	0 - 0.82	5.0
GT-81083-0513-X.X-W2C	+9.1 to 13.0	0 - 0.55	5.0

SPECIFICATIONS MAY CHANGE WITHOUT PRIOR NOTICE. CONSULT GLOBTEK CUSTOMER SERVICE FOR LATEST SPECIFICATIONS.

[www.globtek.com](http://www.globtek.com)

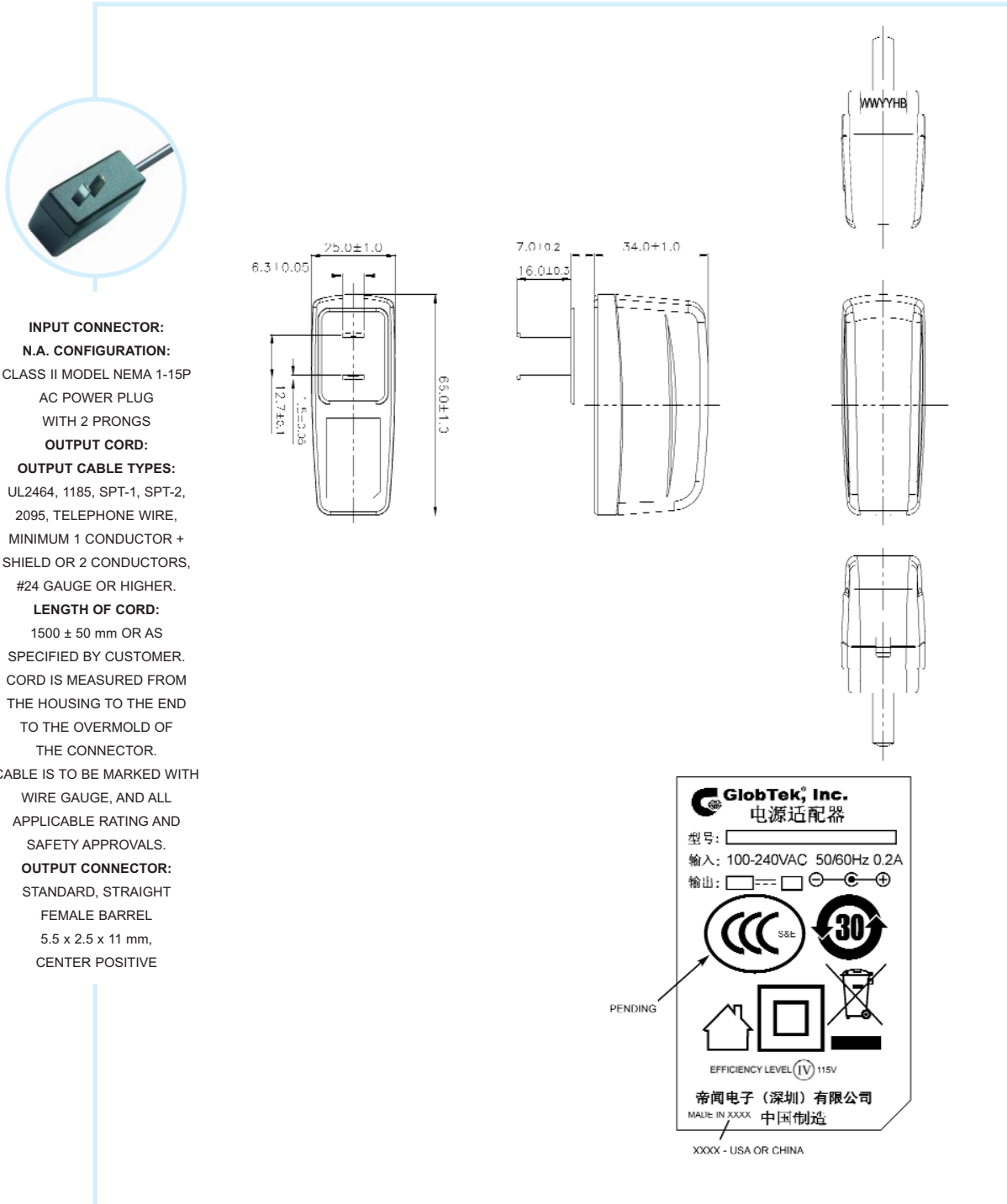
+1.201.784.1000



**5 Watt Low-Profile Wall Plug-In, Single Output, 4 to 13VDC Switching Power Supply: China, Universal Input, ITE, Class II, Energy Star**

**ENCLOSURE:**

HOUSING: HIGH IMPACT PLASTIC, 94VO POLYCARBONATE, NON-VENTED, COLOR BLACK  
 SIZE: 66 x 41 x 25 + 1mm





ISO 9001:2000  
REGISTERED

GT-81083-YYZZ-X.X-W2A



**5 Watt Low-Profile Wall Plug-In, Single Output, 4 to13 VDC Switching Power Supply: Australia, Universal Input, ITE, Class II, Energy Star**



**ELECTRICAL SPECIFICATIONS:**

**INPUT VOLTAGE: 9**

0 VAC TO 264 VAC

**INPUT CURRENT:**

< 0.2A RMS AT 90 VAC INPUT

**INPUT FREQUENCY:**

47 HZ - 63 HZ

**OUTPUT CURRENT:**

SEE OUTPUT RATING ABOVE, NO MINIMUM LOAD REQUIRED

**OUTPUT POWER (RATED):**

5 WATTS MAX

**OUTPUT RIPPLE VOLTAGE (PEAK TO PEAK):**

+/-1% OR 100 mV WHICHEVER IS GREATER AT NOMINAL OUTPUT VOLTAGE. MEASURED AT 20 MHz BANDWIDTH WITH 0.1µf CERAMIC CAPACITOR IN PARALLEL WITH 10 µf ELECTROLYTIC CAPACITOR CONNECTED AT THE END OF THE OUTPUT CONNECTOR.

**OUTPUT REGULATION (LINE/LOAD):**

+ 5% FOR MAIN OUTPUT, MEASURED AT O/P CONNECTOR

**LINE REGULATION:**

+ 2% MAX AT FULL LOAD

**TURN ON/ TURN OFF OVERSHOOT:**

± 5% MAX 500µs MAX RECOVERY TIME FOR 25% STEP LOAD

**TURN-ON DELAY:**

< 2 SEC

**HOLD-UP TIME:**

5 mSEC MIN AT NOMINAL INPUT AND FULL LOAD

**NO LOAD POWER CONSUMPTION:**

COMPLIES WITH ENERGY STAR AND EISA, EFFICIENCY LEVEL IV (NORTH AMERICA)

**SWITCHING FREQUENCY:**

65 KHZ TYPICAL

**OVER-VOLTAGE PROTECTION:**

PROTECTED, UNIT WILL AUTO-RECOVER UPON REMOVAL OF FAULT

**OVER-CURRENT/SHORT CIRCUIT:**

PROTECTED, UNIT WILL AUTO-RECOVER UPON REMOVAL OF FAULT

**OTHER PROTECTION:**

INPUT FUSING

**SAFETY APPROVALS(PENDING) :**

UL60950-1:2003, 1-st ED., CUL TO 22.2 # 60950-1:2003,1-st ED., CE CLASS II

**DIELECTRIC WITHSTAND VOLTAGE:**

4242VDC PRIMARY-SECONDARY; 2121 VDC PRIMARY - GROUND

**LEAKAGE CURRENT:**

< 0.25 mA AT NOMINAL AC INPUT VOLTAGE AND FREQUENCY

**EMI:**

COMPLIES WITH EN55022, CLASS B AND FCC PART 15 CLASS B WHEN TESTED WITH A RESISTIVE LOAD, BOTH CONDUCTED AND RADIATED

**CE MARK:**

TESTED TO COMPLY WITH EN61000-3-2 EN61000-3-3, AND EN50082-1, INCLUDING EN61000-4-2, EN61000-4-3, EN61000-4-4, EN61000-4-5, EN61000-4-6, EN61000-4-11

**EFFICIENCY:**

COMPLIES TO SECTION 301 OF ENERGY INDEPENDENCE AND SECURITY ACT (EISA) COMPLIES WITH ENERGY STAR TIER 2 (NORTH AMERICA), CECP TIER 2 (CHINA), MEPS TIER 2 (AUSTRALIA), CODE OF CONDUCT (EUROPE)

**MTBF:**

200,000 HOURS AT 25°C AMBIENT TEMPERATURE

**OPERATING TEMPERATURE:**

0°C TO 40° C

**STORAGE TEMPERATURE:**

20°C TO 85° C

**HUMIDITY:**

0% TO 90% RELATIVE HUMIDITY, OPERATING

**ROHS:**

COMPLIES WITH EU 2002/95/EC AND CHINA SJ/T 11363-2006

**NOTES:**

1. -: ITE MODEL
2. EACH OUTPUT CURRENT AND POWER CAN VARY WITHIN ITS DESIGNATION RANGE AS LONG AS THE MAXIMUM CURRENT AND OUTPUT POWER ARE NOT EXCEEDED.
3. SINGLE OUTPUT UNITS ARE AVAILABLE FROM 3V UP TO 13V IN 0.1V INCREMENTS
4. -X.X: OPTIONAL FOR SPECIFYING OUTPUT VOLTAGE DEVIATION FROM STANDARD MODEL (EXAMPLE: 12 VDC MODEL = GT-81083-0513-1.0-W2A).
5. -W2: STANDARD US WALL PLUG-IN MODEL WITH NEMA 1-15P BLADE CONFIGURATION.

**OUTPUT VOLTAGE / CURRENT:**

MODEL NUMBER	OUTPUT VOLTAGE (VDC)	OUTPUT CURRENT (A)	RATED OUTPUT POWER (W)
GT-81083-0404-X.X-W2A	+3.0 to 4.0	0 - 1.00	4.0
GT-81083-0506-X.X-W2A	+4.1 to 6.0	0 - 1.00	5.0
GT-81083-0509-X.X-W2A	+6.1 to 9.0	0 - 0.82	5.0
GT-81083-0513-X.X-W2A	+9.1 to 13.0	0 - 0.55	5.0

SPECIFICATIONS MAY CHANGE WITHOUT PRIOR NOTICE. CONSULT GLOBTEK CUSTOMER SERVICE FOR LATEST SPECIFICATIONS.

[www.globtek.com](http://www.globtek.com)

+1.201.784.1000



**5 Watt Low-Profile Wall Plug-In, Single Output, 4 to 13VDC Switching Power Supply: Australia, Universal Input, ITE, Class II, Energy Star**

**ENCLOSURE:**

HOUSING: HIGH IMPACT PLASTIC, 94VO POLYCARBONATE, NON-VENTED, COLOR BLACK  
SIZE: 66 x 41 x 25 + 1mm

**INPUT CONNECTOR:**  
**N.A. CONFIGURATION:**  
CLASS II MODEL NEMA 1-15P  
AC POWER PLUG  
WITH 2 PRONGS

**OUTPUT CORD:**  
**OUTPUT CABLE TYPES:**  
UL2464, 1185, SPT-1, SPT-2,  
2095, TELEPHONE WIRE,  
MINIMUM 1 CONDUCTOR +  
SHIELD OR 2 CONDUCTORS,  
#24 GAUGE OR HIGHER.

**LENGTH OF CORD:**  
1500 ± 50 mm OR AS  
SPECIFIED BY CUSTOMER.  
CORD IS MEASURED FROM  
THE HOUSING TO THE END  
TO THE OVERMOLD OF  
THE CONNECTOR.

CABLE IS TO BE MARKED WITH  
WIRE GAUGE, AND ALL  
APPLICABLE RATING AND  
SAFETY APPROVALS.

**OUTPUT CONNECTOR:**  
STANDARD, STRAIGHT  
FEMALE BARREL  
5.5 x 2.5 x 11 mm,  
CENTER POSITIVE

**Dimensions:**  
42.0 MAX  
9.30±0.3  
42.90±.08  
66.00±1.00  
17.0±0.2  
15.3±0.2  
17.10±0.4  
8.7±0.5  
128.00  
1.20±0.15  
1.60±0.05  
6.30±0.15

**Label Information:**  
**GlobTek, Inc.**  
Switching Adaptor  
MODEL: \_\_\_\_\_  
INPUT: 100-240VAC 50/60Hz 0.2A  
OUTPUT:  ---  ⊖ ⊕  
EFFICIENCY LEVEL IV 115V  
MADE IN XXXX  
XXXX - USA OR CHINA PENDING

