



ISO 9001:2000
REGISTERED



Uninterrupted Switchmode Power Supply



INPUT VOLTAGE:

115

INPUT FREQUENCY:

60 HZ

INPUT POWER FACTOR:

0.65

INPUT VOLTAGE RANGE:

80~120, 90~130 OR 180~260 VAC, SINGLE PHASE.

INPUT FREQUENCY RANGE:

47 TO 63 HZ.

INPUT AC CURRENT :

6.5A MAX. @ 115 (100) VAC OR 3.5A MAX. @ 230VAC, FULL LOAD.

INRUSH CURRENT :

AT 120/130/264 VAC, FULL LOAD CONDITION, NO DAMAGE OCCUR, INPUT FUSE SHALL NOT BLOW.

EFFICIENCY:

65% MIN. AT NOMINAL LINE INPUT FILL LOAD.

SURGE PROTECTION:

YES

OUTPUT AC VOLTAGE:

115 VAC; + 12 V / 11 A; + 5 V / 25 A; +3.3 V / 14A

TOTAL OUTPUT:

150W; -12 V / 0.4A; -5 V / 0.4A

OUTPUT DC CURRENT:

+5V STAND BY / 0.75A

WEIGHT:

5 KGS (WITH BP5C-2425 BATTERY PACK)

OVER VOLTAGE PROTECTION:

YES

OVER POWER PROTECTION:

YES >125%

CAPACITY:

500VA

AC OUTPUT VOLTAGE (TO MONITOR):

115VAC / 230VAC AND 55 +/- 2HZ

AC OUTPUT WAVEFORM:

STEP SINE WAVE

AC INPUT VOLTAGE:

TRANSFER POINT (UNDERVOLT)

FROM NORMAL TO BACKUP:

80V / 85V / 170 VAC

FROM BACKUP TO NORMAL:

90V / 95V / 190VAC

AC INPUT VOLTAGE TRANSFER POINT (OVERVOLT)

PROTECTION:

FUSE

TRANSFER TIME:

0 MS FOR DC OUTPUT (COMPUTER)

SYSTEM BACKUP TIME(BACKUP FOR A PC SYSTEM):

10 MINUTES FOR LONGER BACKUP TIME CAN USE OTHER BATTERY PACK

RECHARGE TIME:

10~15 HOURS

SAFETY:

RISE TIME:

100MS MAX. AT NOMINAL LINE FULL LOAD.

HOLD UP TIME:

16MS MIN. FOR +5V OUTPUT AT NOMINAL LINE FULL LOAD.

TRANSIENT OVERSHOOT:

10% MAX. OF STEADY STATE AFTER LOAD CHANGE OF 25% WITHIN THE RANGE OF 50% TO 100% OF FULL LOAD.

TEMPERATURE COEFFICIENT:

0.03% PER °C/MAX.

OVER VOLTAGE PROTECTION (O.V.P.):

WHEN THE MAJOR OUTPUT VOLTAGE +5V, +3.3V ARE OVER +6.5V, +4.2V, THE USPS WILL AUTO SHUTDOWN.

OVER-LOAD PROTECTION (O.L.P.):

FOR OVER-LOAD, USPS LOAD OVER 125% WILL AUTO-SHUT DOWN.

SHORT CIRCUIT PROTECTION:

USPS CAN PROTECT ALL DC OUTPUTS ON THE SWITCHING POWER SUPPLY IF SHORT CIRCUIT OCCURS.

OPERATING TEMPERATURE :

0° C TO 50° C, LINEAR DEPARTING TO 50% LOAD AT 70°C

OPERATING RELATIVE HUMIDITY :

20% TO 90%

STORAGE TEMPERATURE :

-20° C TO +60° C

STORAGE RELATIVE HUMIDITY :

5% TO 95%

ALTITUDE :

OPERATE PROPERLY AT ANY ALTITUDE BETWEEN 0 TO 10,000 FEET.

STORAGE ALTITUDE :

40,000 FEET

VIBRATION :

0.38 M/M, 5-55-5 HZ, 7 MINUTES PER CYCLE; 30 MINUTES FOR EACH AXIS (X, Y, Z)

BURN-IN :

45° C MAX. LOAD 24 HOURS

M.T.B.F. :

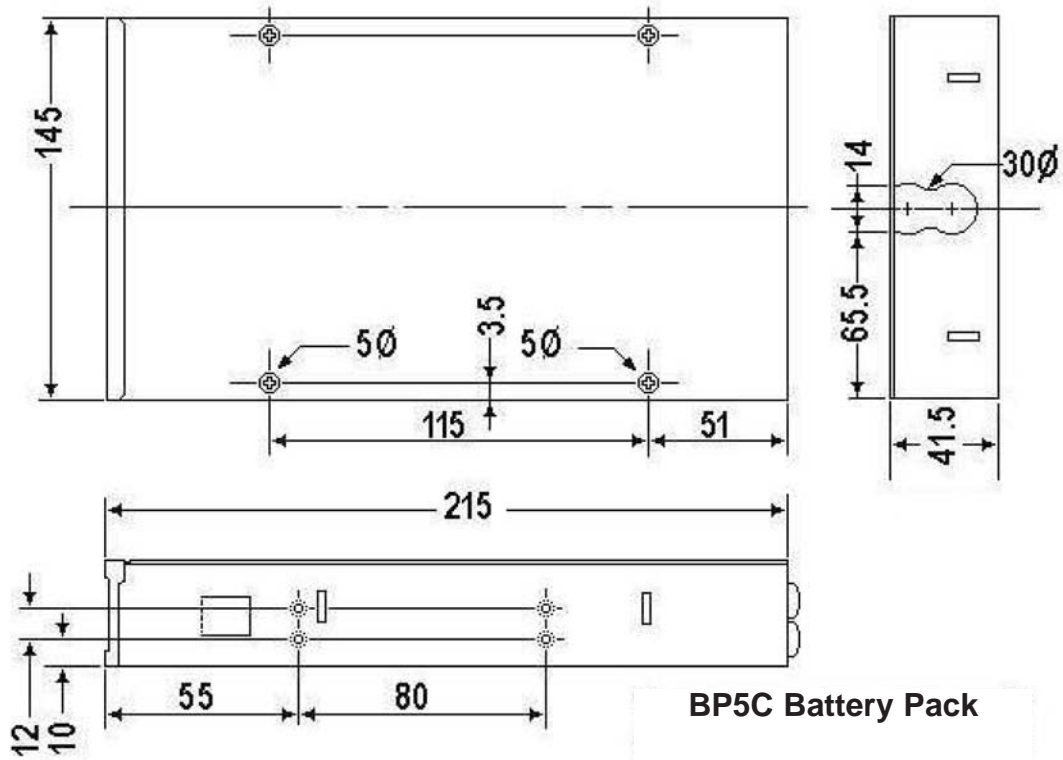
50,000 HR



ISO 9001:2000
REGISTERED



BP5C-2425 Battery Pack



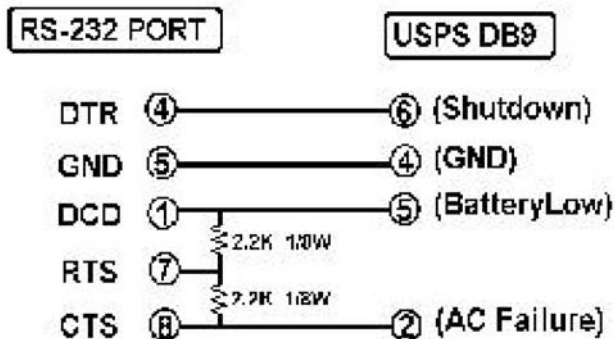
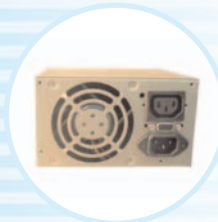
BP5C Battery Pack

CABLE PIN ASSIGNMENT

CABEL	COLOR	Assignment
(P4)	BLACK	GND
	RED	+24VDC
(P5)	RAINBOW	LED
(P6)	WHITE	DC ON/OFF
	WHITE	
	BLACK	AC ON/OFF
	BLACK	



Uninterrupted Switchmode Power Supply



GlobTek USPS, for Windows NT 4.0 UPS module cable connection diagram. The Windows NT UPS module configuration as "03", "02", "04"

(1) Pin Assignment of Pin ② ⑤ ⑥

Pin	Normal	Active
②	High (1.7~1.8V)	Low (0V)
⑤	High (1.7~1.8V)	Low (0V)
⑥	Low (0V)	+12V input

UPS Working Indications

Utility States	LED Indicator state	Buzzer state
Normal		
Blackout, UPS On (24~21.5V)		Beep... Beep... Beep... (3 second Interval)
Battery Low (21.5~18.5V)		Beep..... (sounds quickly and short)
AC Normal / Battery Fail		

SPECIFICATIONS MAY CHANGE WITHOUT PRIOR NOTICE. CONSULT GLOBTEK CUSTOMER SERVICE FOR LATEST SPECIFICATIONS.

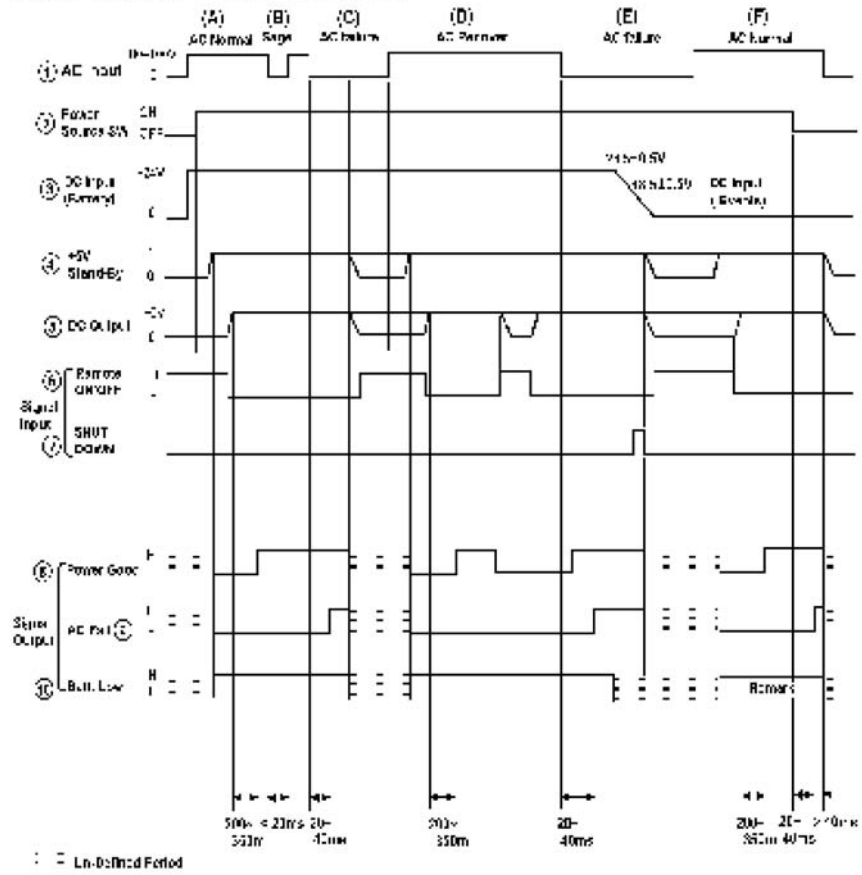


ISO 9001:2000
REGISTERED

Uninterruptible Switchmode Power Supply



● TIME CHART-GAUP-X Series



Remark: If AC line available, and UPS doesn't connect with battery. Because the charge in the circuit, on the Battery Low signal will not to be sent.