



ISO 9001:2000  
REGISTERED

GTM21097 SERIES-50W



**0-50 Watts, DeskTop, Switchmode Universal Input,  
Single Output Family, Medical**



Part Number Ordering System (See Page 224)  
Output Plug/Cord Options (See Page 189)

INDOOR USE ONLY



**ELECTRICAL SPECIFICATIONS:**

**INPUT VOLTAGE:**  
90 VAC TO 264 VAC

**INPUT CURRENT:**  
< 1.6 A RMS AT 90 VAC INPUT

**INPUT FREQUENCY:**  
47 HZ - 63 HZ

**OUTPUT CURRENT:**  
NO MINIMUM LOAD REQUIRED

**OUTPUT POWER (RATED):**  
50 WATTS MAX

**OUTPUT RIPPLE (PEAK TO PEAK):**  
1% OF OUTPUT VOLTAGE, PEAK TO PEAK, TYPICAL

**OUTPUT REGULATION (LINE/LOAD):**  
+/-5% MEASURED AT THE OUTPUT CONNECTOR

**LINE REGULATION:**  
+/- 1% TYPICAL MEASURED AT FULL LOAD

**TURN ON/ TURN OFF OVERTHOOT:**  
5% MAXIMUM, 1mS TYPICAL RECOVERY TIME FOR 25% STEP LOAD

**TURN-ON DELAY:**  
1 SEC TYPICAL

**HOLD-UP TIME:**  
10mS TYPICAL AT NOMINAL INPUT VOLTAGE AND FULL LOAD

**INRUSH CURRENT:**  
20A TYPICAL AT 115Vac INPUT AND 30A TYPICAL AT 230Vac INPUT

**EFFICIENCY:**  
75% TYPICAL AT NOMINAL INPUT AND FULL LOAD

**SWITCHING FREQUENCY:**  
100 KHZ TYPICAL

**OVER-VOLTAGE PROTECTION:**  
VOLTAGE LIMITED TO LESS THAN 130%, CROWBAR METHOD

**OVER-CURRENT / SHORT CIRCUIT:**  
HICCUP MODE WITH AUTO-RECOVERY (110 - 130% OF RATED LOAD), HICCUP MODE OUTPUT WILL AUTORECOVER UPON REMOVAL OF SHORT

**OTHER PROTECTION:**  
INPUT LINE FUSING

**SAFETY APPROVALS:**  
UL 60601.1, CUL TO 22.2 NO. 601.1, TUV TO EN60601.1, PSE TO J60950  
CB REPORT

**DIELECTRIC WITHSTAND VOLTAGE:**  
5656VDC (4000VAC) FROM PRIMARY TO GROUND  
2121VDC (1500VAC) FROM PRIMARY TO GROUND

**LEAKAGE CURRENT:**  
<500uA at 264Vac INPUT VOLTAGE

**LINE SURGE:**  
EN 61000-4-5 LEVEL 4

**EMI:**  
EN55011, Group 1, Class B, EN55022 Class B, EN55011, Group 1, Class B; EN55024 / EN60601-1-2 / IEC 61000-4-3:2002; EN55024 / EN60601-1-2 / IEC 61000-4-6:2001 ; EN55024 / EN60601 -1-2 / IEC 61000-4-8:2001; EN55024 / EN60601-1-2 / IEC 61000-4-11:2001; EN55024 / EN60601-1-2 / IEC 61000-4-4:2001; EN55024 / EN60601-1-2 / IEC 61000-4-2:2001; EN55024 / EN60601-1-2 / IEC 61000-4-5:2001; EN55024 / EN 61000-3-3 A1: 2001 / EN 61000-3-3 A1: 2001; EN55024 / EN 61000-3-2:2001 / EN 61000-3-2:2001. UNIT IS ELIGIBLE FOR CE MARK

**CE MARK:**  
TESTED TO COMPLY WITH EN61000-3-2 EN610003-3 AND EN50082-1 INCLUDING NOMINAL LINE AND FULL LOAD (MIL-217 STD), EN61000-4-3, EN61000-4-4, EN61000-4-5, EN61000-4-6, EN61000-4-11 LEVEL 4.

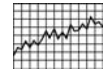
**MTBF:**  
GREATER THAN 50,000 HOURS AT 25°C AMBIENT TEMPERATURE NOMINAL LINE AND FULL LOAD (MIL-217 STD)

**OPERATING TEMPERATURE:**  
0°C TO 40°C AMBIENT TEMPERATURE

**STORAGE TEMPERATURE:**  
-40° C TO 80° C

**HUMIDITY:**  
0% TO 90% RELATIVE HUMIDITY

**NOTES:**  
1. (M): MEDICAL MODEL  
2. EACH OUTPUT CURRENT MAY VARY WITHIN IT'S DESIGNATION RANGE, AS LONG AS OUTPUT POWER IS NOT EXCEEDED.  
3. SINGLE OUTPUT UNITS ARE AVAILABLE FROM 3.3V UP TO 48V IN 0.1V INCREMENTS.  
4. (X.X) OPTIONAL FOR SPECIFYING OUTPUT VOLTAGE DEVIATION FROM STANDARD MODEL. SUBTRACTING X.X VOLTS FROM STANDARD OUTPUT VOLTAGE.



SEE APPENDIX "E" FOR ELECTRICAL PERFORMANCE CURVES

**OUTPUT VOLTAGE / CURRENT:**

MODEL NUMBER	OUTPUT VOLTAGE (VDC)	OUTPUT CURRENT (A)	RATED OUTPUT POWER (W)
GTM21097-2003	+3.3	0 - 6.0	0 - 20
GTM21097-3005-1.0	+4.0	0 - 6.0	0 - 24
GTM21097-3005-X.X	+5.0	0 - 6.0	0 - 30
GTM21097-4509-3.0	+6.0	0 - 5.0	0 - 30
GTM21097-4509-2.0	+7.0	0 - 5.0	0 - 35
GTM21097-4509-1.0	+8.0	0 - 5.0	0 - 40
GTM21097-4509-X.X	+9.0	0 - 5.0	0 - 45
GTM21097-5012-2.0	+10.0	0 - 5.0	0 - 50
GTM21097-5012-1.0	+11.0	0 - 4.5	0 - 50
GTM21097-5012-X.X	+12.0	0 - 4.17	0 - 50
GTM21097-5015-2.0	+13.0	0 - 3.8	0 - 50
GTM21097-5015-1.2	+13.8	0 - 3.6	0 - 50
GTM21097-5015-1.0	+14.0	0 - 3.5	0 - 50
GTM21097-5015-X.X	+15.0	0 - 3.3	0 - 50
GTM21097-5018-X.X	+18.0	0 - 2.8	0 - 50
GTM21097-5024-4.0	+20.0	0 - 2.5	0 - 50
GTM21097-5024-X.X	+24.0	0 - 2.1	0 - 50
GTM21097-5048-20.4	+27.6	0 - 1.8	0 - 50
GTM21097-5048-18.0	+30.0	0 - 1.7	0 - 50
GT-500148-30	+30.0	0 - 2.0	0 - 60
GTM21097-5048-12.0	+36.0	0 - 1.4	0 - 50
GTM21097-5048-X.X	+48.0	0 - 1.1	0 - 50



ISO 9001:2000  
REGISTERED



**0-50 Watts, DeskTop, Switchmode Universal Input,  
Single Output Family, Medical**

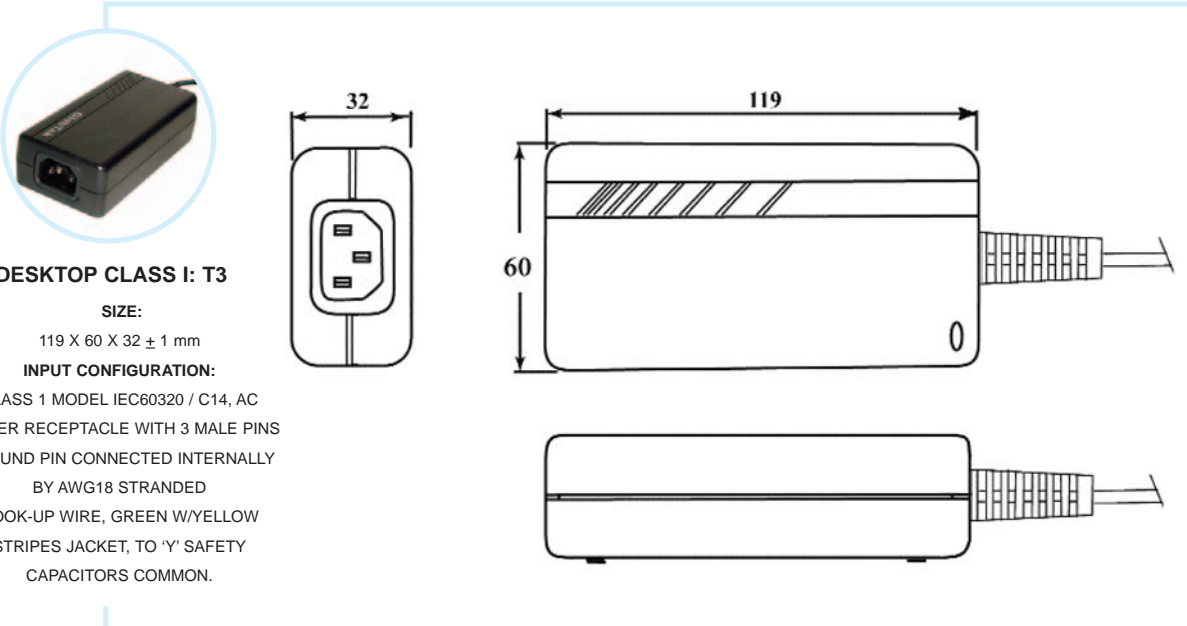
Part Number Ordering System (See Page 224)  
Output Plug/Cord Options (See Page 189)



FOR INDOOR USE ONLY

**ENCLOSURES**

HOUSING: HIGH IMPACT PLASTIC, 94V0 POLYCARBONATE, NON-VENTED, COLOR BLACK



**DESKTOP CLASS I: T3**

**SIZE:**

119 X 60 X 32 ± 1 mm

**INPUT CONFIGURATION:**

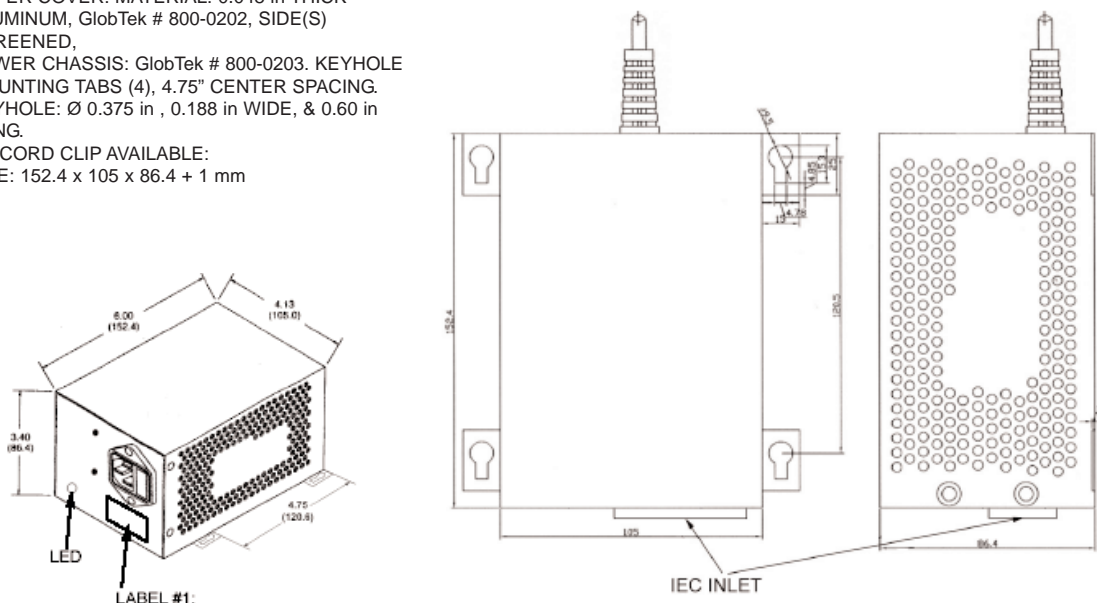
CLASS 1 MODEL IEC60320 / C14, AC  
POWER RECEPTACLE WITH 3 MALE PINS  
GROUND PIN CONNECTED INTERNALLY  
BY AWG18 STRANDED  
HOOK-UP WIRE, GREEN W/YELLOW  
STRIPES JACKET, TO 'Y' SAFETY  
CAPACITORS COMMON.

**INDICATOR:**

GREEN LED, OUTPUT PRESENT

**ALTERNATE ENCLOSURE (SPECIAL ORDER):**

UPPER COVER: MATERIAL: 0.048 in THICK  
ALUMINUM, GlobTek # 800-0202, SIDE(S)  
SCREENED,  
LOWER CHASSIS: GlobTek # 800-0203. KEYHOLE  
MOUNTING TABS (4), 4.75" CENTER SPACING.  
KEYHOLE: Ø 0.375 in , 0.188 in WIDE, & 0.60 in  
LONG.  
AC CORD CLIP AVAILABLE:  
SIZE: 152.4 x 105 x 86.4 + 1 mm



SPECIFICATIONS MAY CHANGE WITHOUT PRIOR NOTICE. CONSULT GLOBTEK CUSTOMER SERVICE FOR LATEST SPECIFICATIONS.

