



ISO 9001:2000  
REGISTERED

GTMB1057



**Switching Power Supply, 60 Watts, Single Output,  
Universal Input, Medical**



**ELECTRICAL SPECIFICATIONS:**

**INPUT VOLTAGE:**  
90 VAC TO 264 VAC

**INPUT CURRENT:**  
< 1.5 A RMS AT 90 VAC INPUT

**INPUT FREQUENCY:**  
47 HZ - 63 HZ

**OUTPUT CURRENT:**  
NO LOAD TO FULL LOAD, NO MINIMUM LOAD REQUIRED

**OUTPUT POWER (RATED):**  
60 WATTS MAX

**SWITCHING FREQUENCY OUTPUT RIPPLE (PEAK TO PEAK):**  
1% TYPICAL

**OUTPUT REGULATION (LINE/LOAD):**  
+ 5 % FOR MAIN OUTPUT, MEASURED AT O/P CONNECTOR

**LINE REGULATION:**  
+ 0.5 % MAX AT FULL LOAD

**TURN ON/ TURN OFF OVERSHOOT:**  
4% MAX 500µS MAX RECOVERY TIME FOR 25% STEP LOAD

**TURN-ON DELAY:**  
1 SEC MAX

**HOLD-UP TIME:**  
8.3 mSEC MIN AT NOMINAL INPUT AND FULL LOAD

**OUTPUT RISE TIME:**  
< 35 mS

**TURN ON TIME:**  
< 3 S @ 115 V

**INRUSH CURRENT:**  
20 A MAX AT COLD START FOR N.A. (40A FOR EURO)

**EFFICIENCY:**  
80% @115 V

**SWITCHING FREQUENCY:**  
100 KHZ TYPICAL

**OVER-VOLTAGE PROTECTION:**  
VOLTAGE LIMITED LESS 130% OF NOMINAL VOLTAGE

**OVER-CURRENT / SHORT CIRCUIT:**  
HICCUP WITH AUTO RECOVERY TO 1.1 - 1.3 IO

**OTHER PROTECTION:**  
INPUT FUSING

**NO LOAD POWER CONSUMPTION:**  
< 1.0 W @ 115/230V, NO LOAD, 25°C

**SAFETY APPROVALS (PENDING):**  
ITE MODEL: UL60601-1, CUL TO 22.2# 601, DEMKO TO EN60601, CE CLASS I

**DIELECTRIC WITHSTAND VOLTAGE:**

5656 VDC PRIMARY-SECONDARY; 2121 VDC  
PRIMARY- GROUND

**LEAKAGE CURRENT:**

< 250 µA

**LINE SURGE:**

EN 61000-4-5 LEVEL 4

**EMI:**

COMPLIES WITH EN55011 , CLASS B AND FCC PART 15  
CLASS B WHEN TESTED WITH A RESISTIVE LOAD  
CE MARK: TESTED TO COMPLY WITH EN61000-3-2,  
EN61000-3-3, AND EN50082-1, INCLUDING EN61000-4-2,  
EN61000-4-3, EN61000-4-4, EN61000-4-5, EN61000-4-6,  
EN61000-4-11, LEVEL 4, EN 60601-1-2-2001.  
UNIT IS ELIGIBLE FOR CE MARK.

**MTBF:**

GREATER THAN 50,000 HOURS AT 25°C AMBIENT  
TEMPERATURE

**OPERATING TEMPERATURE:**

0°C TO 40° C

**STORAGE TEMPERATURE:**

-40°C TO 80° C

**ALTITUDE:**

10,000' (OPERATING), 40,000' (NON-OPERATING)

**HUMIDITY:**

0% TO 90% RELATIVE HUMIDITY

**WEIGHT:**

350 g

**NOTES:**

1. - ITE MODEL
2. EACH OUTPUT CURRENT CAN VARY WITHIN ITS DESIGNATION RANGE., AS LONG AS THE OUTPUT POWER IS NOT EXCEEDED.
3. SINGLE OUTPUT UNITS ARE AVAILABLE FROM 12V UP TO 30V IN 0.1V INCREMENTS.
4. X.X.: OPTIONAL FOR SPECIFYING OUTPUT VOLTAGE DEVIATION FROM STANDARD MODEL: SUBTRACTING X.X. VOLTS FROM STANDARD OUTPUT VOLTAGE.

**OUTPUT VOLTAGE / CURRENT:**

| MODEL NUMBER      | OUTPUT VOLTAGE (VDC) | OUTPUT CURRENT (A) | RATED OUTPUT POWER (W) |
|-------------------|----------------------|--------------------|------------------------|
| GTMB1057-6012     | +12.0                | 0 - 5.0            | 60                     |
| GTMB1057-6015-X.X | +15.0                | 0 - 4.0            | 60                     |
| GTMB1057-6018-X.X | +18.0                | 0 - 3.3            | 60                     |
| GTMB1057-6019-X.X | +19.0                | 0 - 3.16           | 60                     |
| GTMB1057-6020-X.X | +20.0                | 0 - 3.0            | 60                     |
| GTMB1057-6022-X.X | +22.0                | 0 - 2.7            | 60                     |
| GTMB1057-6024-X.X | +24.0                | 0 - 2.5            | 60                     |
| GTMB1057-6030-X.X | +30.0                | 0 - 2.0            | 60                     |

SPECIFICATIONS MAY CHANGE WITHOUT PRIOR NOTICE. CONSULT GLOBTEK CUSTOMER SERVICE FOR LATEST SPECIFICATIONS.

[www.globtek.com](http://www.globtek.com)

+1.201.784.1000

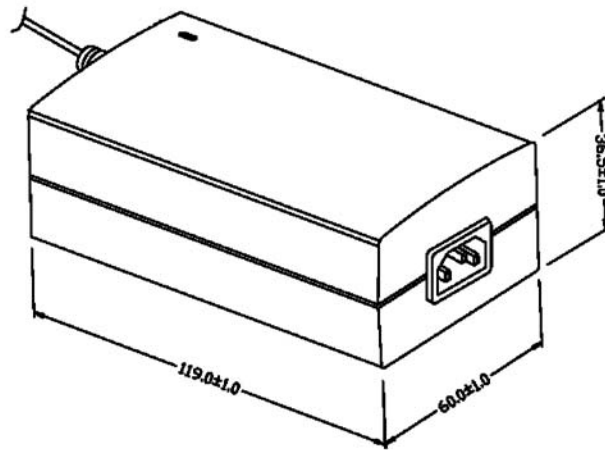


**Switching Power Supply, 60 Watts, Single Output, Universal Input, Medical**



**ENCLOSURE**

HOUSING: HIGH IMPACT PLASTIC 94V0 POLYCARBONATE, NON- VENTED, COLOR BLACK  
SIZE: 120.0 X 60.5 X 36.5 + 1 mm



**INDICATOR:**

GREEN LED, OUTPUT PRESENT

**INPUT CONNECTOR:**

CONFIGURATION: CLASS 1  
MODEL IEC320 / C14, AC POWER  
RECEPTACLE WITH  
3 MALE PRONGS

**OUTPUT CORD:**

1 CONDUCTOR+SHIELD,  
18 AWG STRANDED WIRE,  
ROUND # 1185 CORD TYPE,  
COLOR BLACK,

**LENGTH OF CORD:**

1830 +100, -0 mm. CORD IS  
MEASURED FROM THE HOUSING  
TO THE END OF OVERMOLD  
OF THE CONNECTOR.

CABLE IS TO BE MARKED WITH  
WIRE GAUGE, AND ALL  
APPLICABLE RATING AND  
SAFETY APPROVALS.

CUSTOM CORDSET AVAILABLE.

**OUTPUT CONNECTOR:**

STANDARD, STRAIGHT FEMALE  
BARREL IS 5.5 x 2.5 x 11 mm WITH  
CENTER POSITIVE

SPECIFICATIONS MAY CHANGE WITHOUT PRIOR NOTICE. CONSULT GLOBTEK CUSTOMER SERVICE FOR LATEST SPECIFICATIONS.