



ISO 9001:2000
REGISTERED

GTM9100P SERIES-100W



100 Watts, Desktop, Universal Input, Single Output Family, Medical Grade Switchmodes



INDOOR USE ONLY



ELECTRICAL SPECIFICATIONS:

INPUT VOLTAGE:

100 VAC TO 240 VAC

INPUT CURRENT:

6.0 A AT 90 VAC AND 3.0A AT 240 VAC MAXIMUM

INPUT FREQUENCY:

47 HZ - 63 HZ

OUTPUT CURRENT:

NO MINIMUM LOAD CURRENT REQUIRED TO MAINTAIN REGULATION

OUTPUT POWER (RATED):

100 WATTS MAX

OUTPUT RIPPLE (PEAK TO PEAK):

LESS THAN 1% OF THE NOMINAL OUTPUT VOLTAGE

OUTPUT REGULATION (LINE/LOAD):

± 2% MEASURED AT OUTPUT CONNECTOR

LINE REGULATION:

± 0.5 % OUTPUT MEASURED AT OUTPUT CONNECTOR

REMOTE SENSING (OPTION):

REMOTE SENSE OPTION FOR TIGHT OUTPUT REGULATION.

TURN ON / TURN OFF OVERSHOOT:

4% MAX 500µs MAX RECOVERY TIME FOR 25% STEP LOAD

TURN-ON DELAY:

1 SEC MAX

HOLD-UP TIME:

20ms TYPICAL AT 120VAC, 70ms TYPICAL AT 230VAC

INRUSH CURRENT:

40A MAXIMUM AT 120VAC AND 60A MAXIMUM AT 230VAC

EFFICIENCY:

75 % TYPICAL

POWER FACTOR:

0.8 TYP., CURRENT SHAPER PFC FRONT STAGE

SWITCHING FREQUENCY:

200 KHZ TYPICAL

OVER-VOLTAGE PROTECTION:

OUTPUT LIMITED BETWEEN 130 TO 150% OF NOMINAL LOAD, HICCUP MODE

OVER-CURRENT / SHORT CIRCUIT:

HICCUP MODE WITH AUTORECOVERY ONCE FAULT HAS BEEN REMOVED

OTHER PROTECTION:

DUAL FUSING, LINE AND NEUTRAL FOR MEDICAL GRADE AND LINE FUSING FOR ITE GRADE

SAFETY APPROVALS (PENDING):

EN60601.1 AND UL60601.1
CB REPORT AND CE MARK, PSE TO J60950

DIELECTRIC WITHSTAND VOLTAGE:

5656VDC (4000VAC) PRIMARY-SECONDARY;
2121VDC (1500VAC) PRIMARY- GROUND

LEAKAGE CURRENT:

≤ 300µA AT 240VAC

LINE SURGE:

EN 61000-4-5 LEVEL 4

EMI:

COMPLIES WITH EN55011, CLASS B AND FCC PART 15 CLASS B WHEN TESTED WITH A RESISTIVE LOAD, BOTH CONDUCTED AND RADIATED

CE MARK:

TESTED TO COMPLY WITH EN61000-3-2 EN61000-3-3, AND EN50082-1, INCLUDING EN61000-4-2 (SYSTEM LEVEL), EN61000-4-3, EN61000-4-4, EN61000-4-5, EN61000-4-6, EN61000-4-11, LEVEL 4. UNIT IS ELIGIBLE FOR CE MARK.

MTBF:

100K HRS, ROOM TEMPERATURE, GROUND BENIGN

OPERATING TEMPERATURE:

0° TO 40°C

STORAGE TEMPERATURE:

-40°C TO 85°C

HUMIDITY:

NON-CONDENSING; 5% TO 90% RH

MODEL NUMBER CODE:

GTM: INTERNAL CODE;
(P): POWER FACTOR CORRECTION, OPTIONAL
0302.5 TO 10048: OUTPUT POWER / OUTPUT VOLTAGE
-: CLASS I PROTECTIVE GROUND OR W: CLASS II, DOUBLE INSULATED

NOTES:

- 1) THE MEDICAL VERSION IS DESIGNED NOT TO BE USED IN SYSTEM WITH DIRECT PATIENT CONTACT APPLICATIONS.
- 2) SWITCHING FREQUENCY NOISE MEASUREMENT ARE MADE ACROSS A 20MHZ BANDWIDTH WITH 10UF TANTALUM CAPACITOR AND 0.1UF CERAMIC CAPACITOR CONNECTED AT THE OUTPUT CONNECTOR.
- 3) CONDUCTED AND RADIATED EMI WHERE PERFORMED WITH RESISTIVE LOADS SET TO FULL LOAD, NOMINAL LINES.
- 4) FOR OPTIMUM RELIABILITY, NO PART OF THE HEATSINK SHOULD EXCEED 120C AND NO SEMICONDUCTOR CASE SHOULD EXCEED 130C
- 5) WHEN REMOTE SENSE IS USED, THE REMOTE SENSE WIRE SHOULD BE TWISTED AT 2 TWIST PER INCH TO AVOID OSCILLATION OF THE POWER SUPPLY.
- 6) ALL MEASUREMENTS ARE PERFORMED AT 25C ROOM AMBIENT AND ARE TYPICAL.
- 7) GLOBTEK PRODUCTS ARE NOT AUTHORIZED TO BE USED AS MISSION CRITICAL COMPONENTS IN LIFE SUPPORT HAZARDOUS ENVIRONMENT, NUCLEAR OR AIRCRAFT APPLICATION WITHOUT PRIOR WRITTEN APPROVAL FROM THE CEO OF GLOBTEK INC.
- 8) CONTENTS OF THIS DOCUMENTS ARE SUBJECT TO CHANGE WITHOUT PRIOR NOTICE.

OUTPUT VOLTAGE / CURRENT:

CLASS I MODELS, PROTECTIVE GROUND

CLASS II MODELS, DOUBLE INSULATED

MODEL NUMBER	OUTPUT VOLTAGE (VDC)	OUTPUT CURRENT (A)	RATED OUTPUT POWER (W)
GTM9100P-0302.5	+2.50	0 - 15.00	0 - 30
GTM9100P-0663.3-X.X	+3.30	0 - 15.00	0 - 66
GTM9100P-10005-X.X	+5.00	0 - 20.00	0 - 100
GTM9100P-10006-X.X	+6.00	0 - 16.67	0 - 100
GTM9100P-1007.5-X.X	+7.50	0 - 13.33	0 - 100
GTM9100P-10009-X.X	+9.00	0 - 8.33	0 - 100
GTM9100P-10012-X.X	+12.0	0 - 8.34	0 - 100
GTM9100P-10013.5-X.X	+13.50	0 - 7.41	0 - 100
GTM9100P-10013.8-X.X	+13.80	0 - 7.25	0 - 100

SPECIFICATIONS MAY CHANGE WITHOUT PRIOR NOTICE. CONSULT GLOBTEK CUSTOMER SERVICE FOR LATEST SPECIFICATIONS.

www.globtek.com

+1.201.784.1000



ISO 9001:2000
REGISTERED



**100 Watts, Desktop, Universal Input, Single Output Family,
Medical Grade Switchmodes**

INDOOR USE ONLY




OUTPUT VOLTAGE / CURRENT:
CLASS I MODELS, PROTECTIVE GROUND
CLASS II MODELS, DOUBLE INSULATED

MODEL NUMBER	OUTPUT VOLTAGE (VDC)	OUTPUT CURRENT (A)	RATED OUTPUT POWER (W)
GTM9100P-10015-X.X	+15.0	0 - 6.67	0 - 100
GTM9100P-10018-X.X	+18.0	0 - 5.56	0 - 100
GTM9100P-10024-X.X	+24.0	0 - 4.17	0 - 100
GTM9100P-10036-X.X	+36.0	0 - 2.78	0 - 100
GTM9100P-10048-X.X	+48.0	0 - 2.08	0 - 100


ENCLOSURES

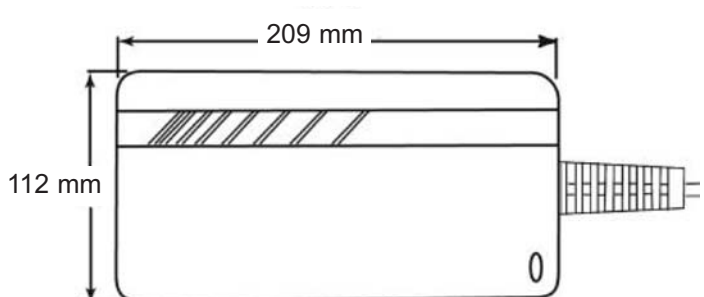
UPPER HOUSING: HIGH IMPACT PLASTIC, 94V0 POLYCARBONATE, NON-VENTED, COLOR BLACK
LOWER HOUSING: HIGH IMPACT PLASTIC 94V0 POLYCARBONATE, NON- VENTED, COLOR BLACK




SIZE:
209 x 112 x 56 + 1 mm

INPUT CONNECTOR:
CONFIGURATION:
CLASS 1 MODEL IEC60320 / C14,
AC POWER RECEPTACLE WITH 3
MALE PINS. GROUND PIN CON-
NECTED INTERNALLY TO DC







INDICATOR:
GREEN LED, OUTPUT PRESENT



SPECIFICATIONS MAY CHANGE WITHOUT PRIOR NOTICE. CONSULT GLOBTEK CUSTOMER SERVICE FOR LATEST SPECIFICATIONS.