



ISO 9001:2000
REGISTERED

GT (S/T/Q)P-150 SERIES-150W

**150 Watts, Switchmode Power Supply, Single/Triple/Quad Output,
Enclosed, Universal Input, Active PFC, ITE Class I, Power Factor Correction**



ELECTRICAL SPECIFICATIONS:

INPUT VOLTAGE:
90 VAC TO 264 VAC

INPUT CURRENT:
< 2.5 A RMS AT 90 VAC INPUT

INPUT FREQUENCY:
47 HZ - 63 HZ

OUTPUT CURRENT:
NO LOAD TO FULL LOAD, NO MINIMUM LOAD REQUIRED

OUTPUT POWER (RATED):
60 WATTS MAX

OUTPUT RIPPLE (PEAK TO PEAK):
100-150 mV (P-P) OUTPUT DEPENDENT
ADJUSTABILITY: +10, -5% MAIN OUTPUT

OUTPUT INDICATOR:
GREEN LED, OUTPUT PRESENT

OUTPUT REGULATION (LINE/LOAD):
± 2% FOR MAIN OUTPUT TYP., VARIES BY MODEL + OUTPUT DEPENDENT

TURN ON/ TURN OFF OVERSHOOT:
4% MAX 500µs MAX RECOVERY TIME FOR 25% STEP LOAD

TURN-ON DELAY:
1 SEC MAX

HOLD-UP TIME:
20 mSEC MIN AT NOMINAL INPUT 115 VAC AND FULL LOAD

INRUSH CURRENT:
40~45 A MAX AT COLD START @ 230 V

EFFICIENCY:
70-85 % TYPICAL, VARIES BY MODEL

POWER FACTOR:
0.93 MIN.; ACTIVE PFC FRONT STAGE

SWITCHING FREQUENCY:
100 KHZ TYPICAL

OVER-VOLTAGE PROTECTION:
VOLTAGE LIMITED LESS 130% OF NOMINAL VOLTAGE FOR MAIN OUTPUT

OVER-CURRENT / SHORT CIRCUIT:
HICCUP WITH AUTO RECOVERY TO 1.1 - 1.3 IO

OTHER PROTECTION:
INPUT FUSING

SAFETY APPROVALS:

UR TO UL 60950, C-UR TO 22.2 # 950, TUV TO EN 60950, CE CLASS I

DIELECTRIC WITHSTAND VOLTAGE:

3000VAC PRIMARY-SECONDARY; 1500 VAC PRIMARY- GROUND

LEAKAGE CURRENT:

≤ 3.5 mA

LINE SURGE:

EN 61000-4-5 LEVEL 4

EMI:

COMPLIES WITH EN55022 , CLASS B AND FCC PART 15 CLASS B WHEN TESTED WITH A RESISTIVE LOAD, BOTH CONDUCTED AND RADIATED

CE MARK:

TESTED TO COMPLY WITH EN61000-3-2 EN61000-3-3, AND EN50082-1, INCLUDING EN61000-4-2 (SYSTEM LEVEL), EN61000-4-3, EN61000-4-4, EN61000-4-5, EN61000-4-6, EN 61000-4-8, EN61000-4-11, LEVEL 4. UNIT IS ELIGIBLE FOR CE MARK.

MTBF:

GREATER THAN 50,000 HOURS AT 25° C AMBIENT TEMPERATURE

OPERATING TEMPERATURE:

0° C TO 40° C

STORAGE TEMPERATURE:

-40° C TO 80° C

WEIGHT:

SINGLE O/P: 0.75 KG; TRIPLE O/P: 0.8 KG; QUAD. O/P: 1.1 KG

VIBRATION:

10-500 Hz, ZG 10 MIN/CYCLE FOR 60 MINUTES ON EACH AXIS

HUMIDITY:

NOTES:

DIMENSIONS ARE IN MM UNLESS SPECIFIED OTHERWISE.

OUTPUT VOLTAGE / CURRENT: CLASS I MODELS, PROTECTIVE GROUND

MODEL NUMBER	OUTPUT VOLTAGE (VDC)	OUTPUT CURRENT (A)	RATED OUTPUT POWER (W)	ENCLOSURES
GTSP-150-3.3	+3.3	30	0 - 150	A
GTSP-150-5	+5.0	30	0 - 150	A
GTSP-150-7.5	+7.5	20	0 - 150	A
GTSP-150-12	+12 +/-2%	12.5	0 - 150	A
GTSP-150-13.5	+13.5	1.2	0 - 150	A
GTSP-150-15	+15.0	10	0 - 150	A
GTSP-150-24	+24.0	6.3	0 - 150	A
GTSP-150-27	+27.0	5.6	0 - 150	A
GTSP-150-48	+48.0	3.2	0 - 150	A
GTTP-150-A	+5.0	15	0 - 150	B
	+12	6		
	-5	0.6		

SPECIFICATIONS MAY CHANGE WITHOUT PRIOR NOTICE. CONSULT GLOBTEK CUSTOMER SERVICE FOR LATEST SPECIFICATIONS.



ISO 9001:2000
REGISTERED



*150 Watts, Switchmode Power Supply, Single/Triple/Quad Output,
Enclosed, Universal Input, Active PFC, ITE Class I, Power Factor Correction*

MODEL NUMBER	OUTPUT VOLTAGES (VDC)	OUTPUT CURRENT (mA)	RATED OUTPUT POWER (W)	ENCLOSURE
GTTP-150-B	+5.0	15	150	B
	+12	5.5		
	-12	0.6		
GTTP-150-C	+5.0	15	150	B
	+15	4.5		
	-15	0.6		
GTTP-150-D	+5.0	15	150	B
	+24	3		
	-12	0.6		
GTQP-150-3A	+3.3	10	150	C
	+5	10		
	+12	5		
	-5	0.6		
GTQP-150-3B	+3.3	10	150	C
	+5	10		
	+12	5		
	-12	0.6		
GTQP-150-3C	+3.3	10	150	C
	+5	10		
	+15	4		
	-15	0.6		
GTQP-150-3D	+3.3	10	150	C
	+5	10		
	+24	2.5		
	-12	0.6		
GTQP-150-B	+5	15	150	C
	+12	4		
	-12	2.0		
	-5	0.6		
GTQP-150-C	+5	15	150	C
	+15	3		
	-15	2.0		
	-5	0.6		
GTQP-150-D	+5	10	150	C
	+12	4		
	24	2.0		
	-12	0.6		
GTQP-150-F	+5	10	150	C
	+15	3		
	24	2.0		
	-15	0.6		



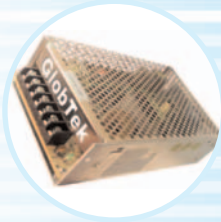
SPECIFICATIONS MAY CHANGE WITHOUT PRIOR NOTICE. CONSULT GLOBTEK CUSTOMER SERVICE FOR LATEST SPECIFICATIONS.



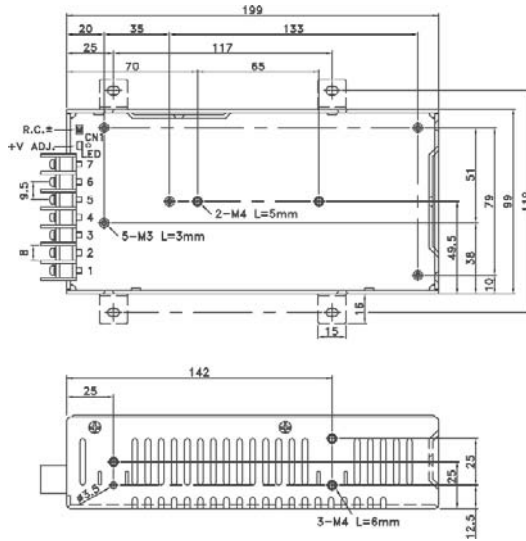
ISO 9001:2000
REGISTERED

GT (SP/TP/QP)-150 SERIES-150W

150 Watts, Switchmode Power Supply, Single/Triple/Quad Output,
Enclosed, Universal Input, Active PFC, ITE Class I, Power Factor Correction



ENCLOSURE: GTSP

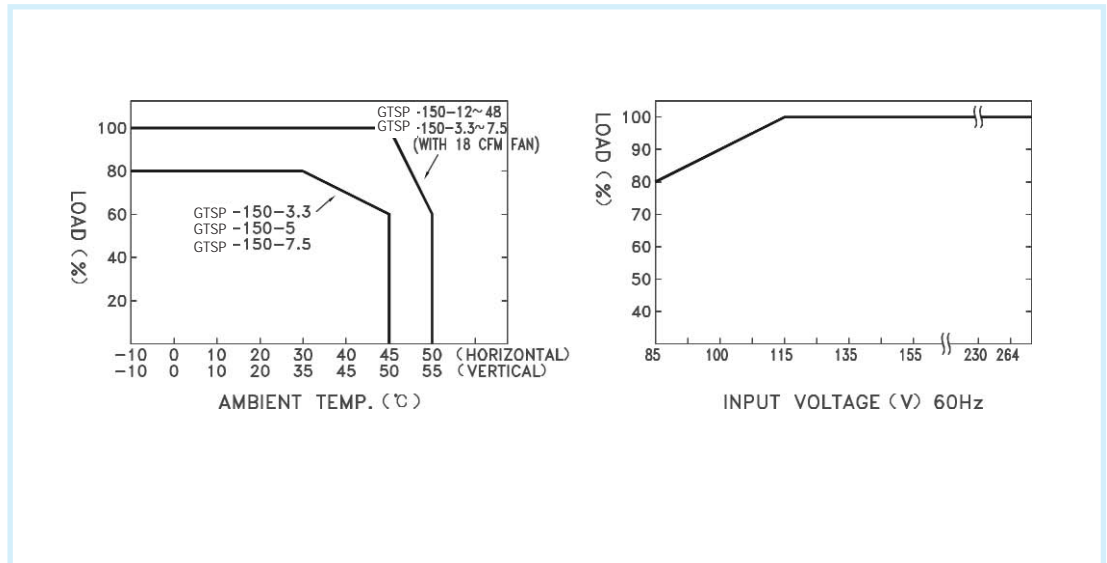


A

PIN ASSIGNMENT

PIN NUMBER	ASSIGNMENT
PIN #1	AC INPUT
PIN #2	AC INPUT
PIN #3	FG
PIN #4	DC OUTPUT -V
PIN #5	DC OUTPUT -V
PIN #6	DC OUTPUT +V
PIN #7	DC OUTPUT +V
CN1	REMOTE CONTROL (OPTION) (JST S2B-XH COMPATIBLE)

DERATING: GTSP



SPECIFICATIONS MAY CHANGE WITHOUT PRIOR NOTICE. CONSULT GLOBTEK CUSTOMER SERVICE FOR LATEST SPECIFICATIONS.



ISO 9001:2000
REGISTERED



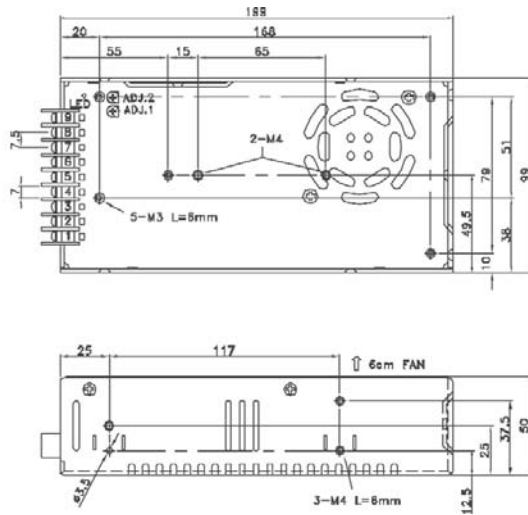
**150 Watts, Switchmode Power Supply, Single/Triple/Quad Output,
Enclosed, Universal Input, Active PFC, ITE Class I, Power Factor Correction**



ENCLOSURE: GTTP



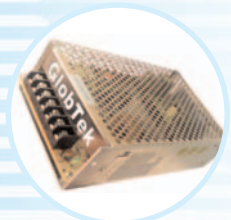
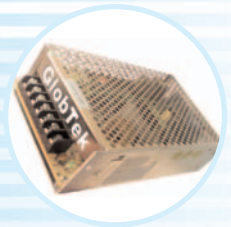
UT V1



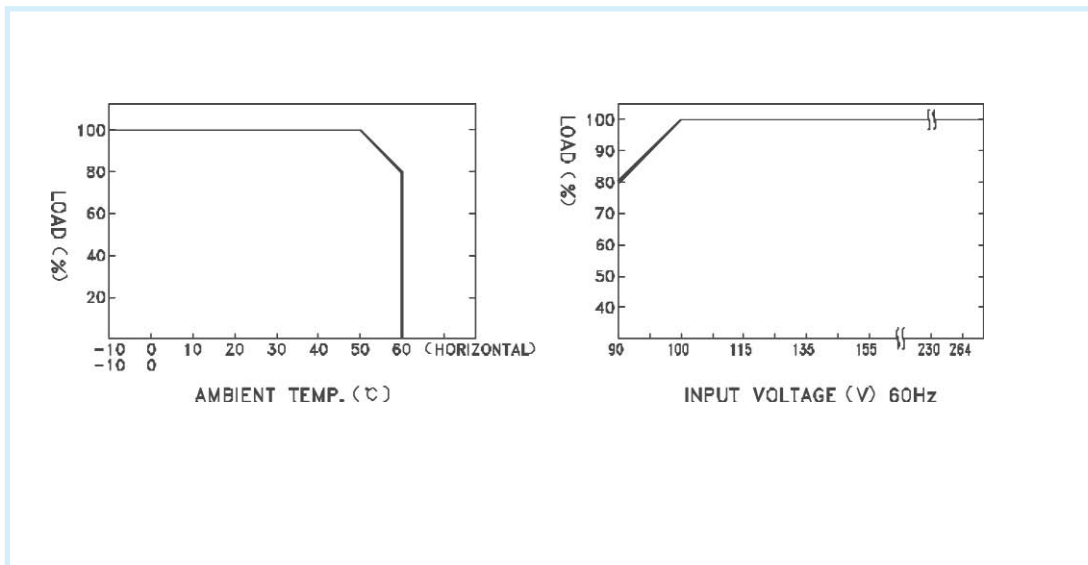
PIN ASSIGNMENT

PIN NUMBER	ASSIGNMENT
PIN #1	AC INPUT
PIN #2	AC INPUT
PIN #3	FG
PIN #4	DC OUTPUT V3
PIN #5	DC OUTPUT V2
PIN #6	DC OUTPUT V1
PIN #7	DC OUTPUT V1
PIN #8	DC OUTPUT COM
PIN #9	DC OUTPUT COM

B



DERATING: GTSP



SPECIFICATIONS MAY CHANGE WITHOUT PRIOR NOTICE. CONSULT GLOBTEK CUSTOMER SERVICE FOR LATEST SPECIFICATIONS.



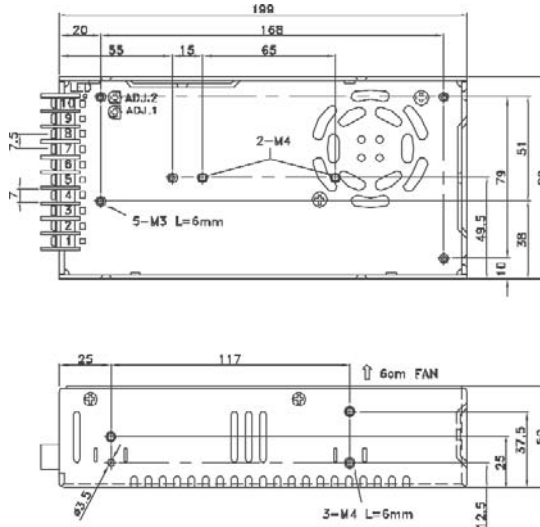
ISO 9001:2000
REGISTERED

GT (SP/TP/QP)-150 SERIES-150W

150 Watts, Switchmode Power Supply, Single/Triple/Quad Output,
Enclosed, Universal Input, Active PFC, ITE Class I, Power Factor Correction



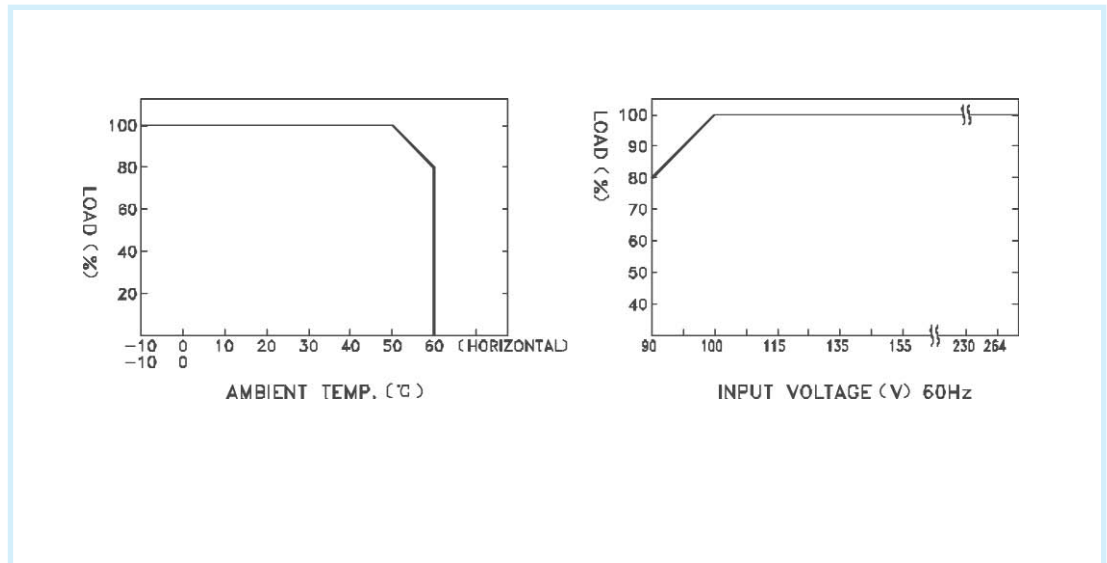
ENCLOSURE: GTQP



PIN ASSIGNMENT

PIN NUMBER	ASSIGNMENT
PIN #1	AC INPUT
PIN #2	AC INPUT
PIN #3	FG
PIN #4	DC OUTPUT V4
PIN #5	DC OUTPUT V5
PIN #6	DC OUTPUT V1
PIN #7	DC OUTPUT V1
PIN #8	DC OUTPUT COM
PIN #9	DC OUTPUT COM
PIN #10	DC OUTPUT V2

DERATING: GTSP



SPECIFICATIONS MAY CHANGE WITHOUT PRIOR NOTICE. CONSULT GLOBTEK CUSTOMER SERVICE FOR LATEST SPECIFICATIONS.