



ISO 9001
REGISTERED

**ITE Power Adapter, 5 Watt, Single Output Family,
Desktop and Wall Plug-In, N.A.,
European, U.K., Australian Input, Class II**



1. ELECTRICAL SPECIFICATIONS:

INPUT VOLTAGE: U= 100-240 VAC; N= 100-120 VAC; E = 180-264VAC

INPUT CURRENT: < 0.2 A RMS AT 90 VAC INPUT
INPUT FREQUENCY: 47 - 63 HZ

OUTPUT VOLTAGE / CURRENT:

NORTH AMERICAN BALDE CONFIGURATION:

MODEL #:	OUTPUT RATING:
GT-R81051-0503(-Y.Y)(U,N,E)W2(-,E,A,U)	+3.0 VDC @ 0-1000 mA
GT-R81051-0505(-Y.Y)(U,N,E)W2(-,E,A,U)	+5.0 VDC @ 0-1000 mA
GT-R81051-0507-1.0(U,N,E)W2(-,E,A,U)	+6.0 VDC @ 0-833 mA
GT-R81051-0507(-Y.Y)(U,N,E)W2(-,E,A,U)	+7.0 VDC @ 0-714 mA
GT-R81051-0512-4.0(U,N,E)W2(-,E,A,U)	+8.0 VDC @ 0-625 mA
GT-R81051-0512-3.0(U,N,E)W2(-,E,A,U)	+9.0 VDC @ 0-555 mA
GT-R81051-0512-2.0(U,N,E)W2(-,E,A,U)	+10.0 VDC @ 0-500 mA
GT-R81051-0512-1.0(U,N,E)W2(-,E,A,U)	+11.0 VDC @ 0-454 mA
GT-R81051-0512(Y.Y)(U,N,E)W2(-,E,A,U)	+12.0 VDC @ 0-416 mA
GT-R81051-0512(+1.0)(U,N,E)W2(-,E,A,U)	+13.0 VDC @ 0-385 mA

MODEL NUMBER DESCRIPTION:

Model GT-R81051-05(XX)(-Y.Y)W2(-,E, A, U)

Where:

R81051-05: Series Code

XX = Denotes Rated Voltage

(-Y.Y) = Denotes voltage differentiator

(U,N,E) = Input Voltage range (U=120-240V, N= 100-120V, E= 180-264V)

Note: U & N = UL,cUL,CE Marked ; U & E = CE, TUV Marked

(-,E,A,U) = Blade configuration; "-"- US Blade, "E"-European Blade, "A"-Australian Blade, "U"-UK Blades

Notes:

- 1.Each output current may vary within it's designation range, as long as output power is not exceeded.
- 2.Single output may vary from 3VDC-13VDC in 0.1V increments
- 3.(-Y.Y) Optional for specifying output voltage deviation from listed ratings. Subtract Y.Y from rated voltage.

CONSTANT CURRENT CURRENT LIMIT: OPTIONAL; FOR BATTERY CHARGER APPLICATIONS

OUTPUT CURRENT : NO LOAD TO FULL LOAD,NO MINIMUM LOAD
REQUIRED



ISO 9001
REGISTERED



**ITE Power Adapter, 5 Watt, Single Output Family,
Desktop and Wall Plug-In, N.A.,
European, U.K., Australian Input, Class II**

OUTPUT POWER (RATED):	5 WATTS MAX
SWITCHING FREQUENCY	1% TYPICAL
OUTPUT RIPPLE (PEAK TO PEAK):	± 5 % FOR MAIN OUTPUT, MEASURED AT O/P
OUTPUT REGULATION (LINE/LOAD):	± 0.2 % MAX AT FULL LOAD
CONNECTOR	
LINE REGULATION:	
TURN ON/ TURN OFF OVERTHOOT:	4% MAX 500uS MAX RECOVERY TIME FOR
25% STEP LOAD	
TURN-ON DELAY:	1000 mSEC MAX
HOLD-UP TIME:	16 mSEC MIN AT NOMINAL INPUT AND FULL
LOAD	
INRUSH CURRENT:	20 A MAX AT COLD START N.A.
SWITCHING FREQUENCY:	100 KHZ TYPICAL
OVER-VOLTAGE PROTECTION:	VOLTAGE LIMITED LESS 130% OF NOMINAL
VOLTAGE	
OVER-CURRENT / SHORT CIRCUIT:	HICCUP WITH AUTO RECOVERY TO 1.1 - 1.3 I _o
OTHER PROTECTION:	INPUT FUSING
SAFETY APPROVALS:	UL60950, CUL TO 22.2# 950, TUV TO EN60950,
CE CLASS I & II	
DIELECTRIC WITHSTAND VOLTAGE:	3000VAC PRIMARY-SECONDARY
LEAKAGE CURRENT:	≤ 0.25 mA
LINE SURGE:	EN 61000-4-5 LEVEL 4
EMI:	COMPLIES WITH EN55022 CLASS B AND FCC PART 15 CLASS B WHEN TESTED WITH A
RESISTIVE	LOAD, BOTH CONDUCTED AND RADIATED TESTED TO COMPLY WITH EN61000-3-2 INCLUDING EN61000-4-2, EN61000-4-3, EN61000-4-6, EN61000-4-11, LEVEL 4. UNIT IS
CE MARK:	
EN61000-3-3 AND EN50082-1,	
EN61000-4-4, EN61000-4-5,	
ELIGIBLE FOR CE MARK.	
MTBF:	GREATER THAN 50,000 HOURS AT 25°C AMBI-
ENT TEMPERATURE, OPERATING TEMP.:	0°C TO 40° C
STORAGE TEMPERATURE:	-40°C TO 80° C
HUMIDITY:	0% TO 90% RELATIVE HUMIDITY





ISO 9001
REGISTERED

**ITE Power Adapter, 5 Watt, Single Output Family,
Desktop and Wall Plug-In, N.A.,
European, U.K., Australian Input, Class II**



2. ENCLOSURE:

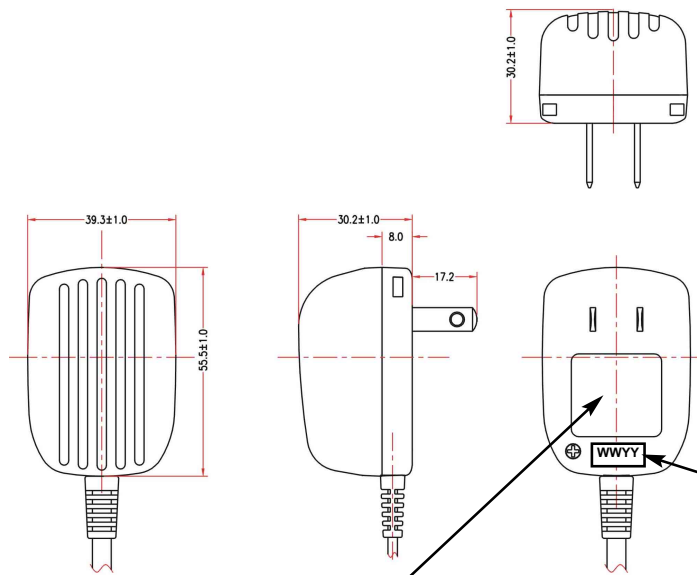
HOUSING: HIGH IMPACT PLASTIC, 94V0 POLYCARBONATE, NON-VENTED, COLOR BLACK

2.1. NORTH AMERICA (W2):

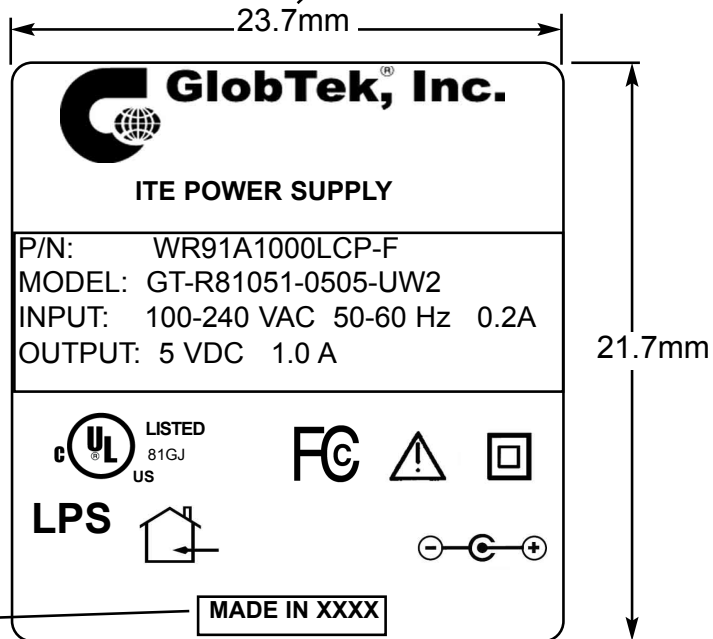
SIZE: 55.5 x 39.3 x 30.2 ± 1 mm

INPUT CONNECTOR:

CONFIGURATION: NEMA 1-15 CLASS II, WITH 2 BLADES



DATE CODE:
WW - WEEK
YY - YEAR



XXXX -
USA OR CHINA



ISO 9001
REGISTERED



**ITE Power Adapter, 5 Watt, Single Output Family,
Desktop and Wall Plug-In, N.A.,
European, U.K., Australian Input, Class II**

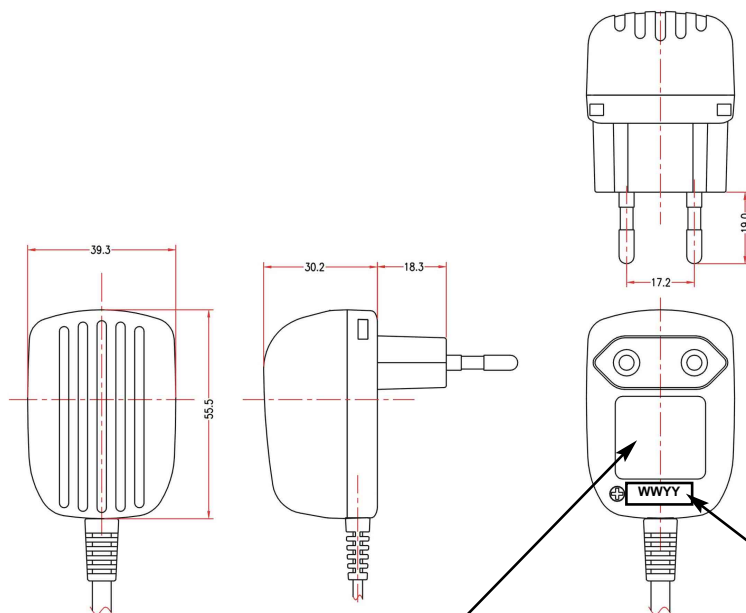


2.2. EUROPEAN (W2E):

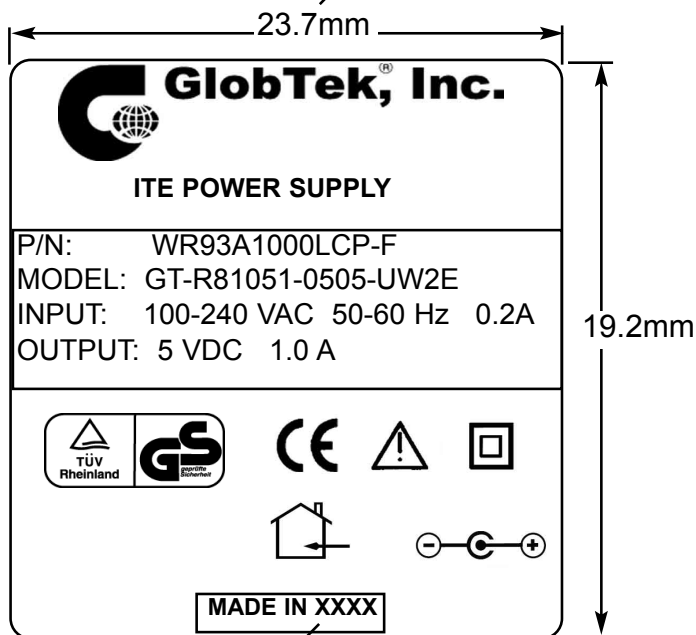
SIZE: 55.5 x 39.3 x 30.2 ± 1 mm

INPUT CONNECTOR:

CONFIGURATION: EURO PLUG CEE7/16, CLASS II



DATE CODE:
WW - WEEK
YY - YEAR



XXXX - USA OR CHINA

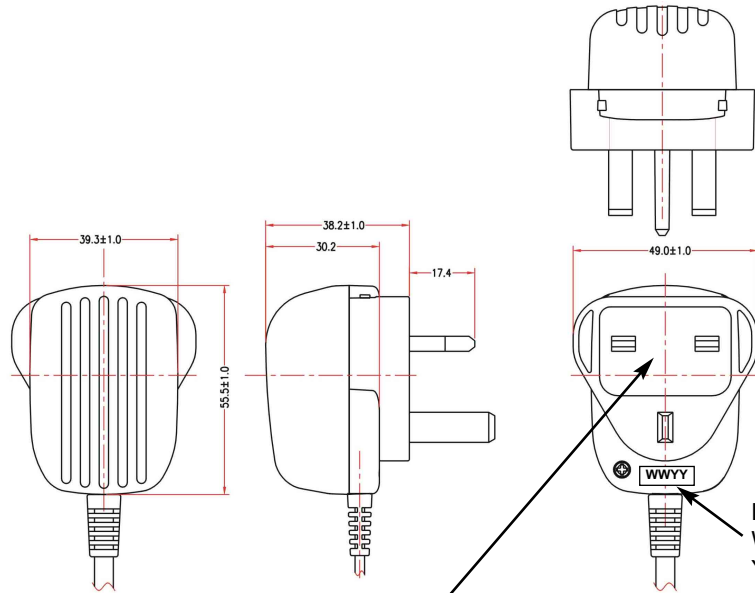


ISO 9001
REGISTERED

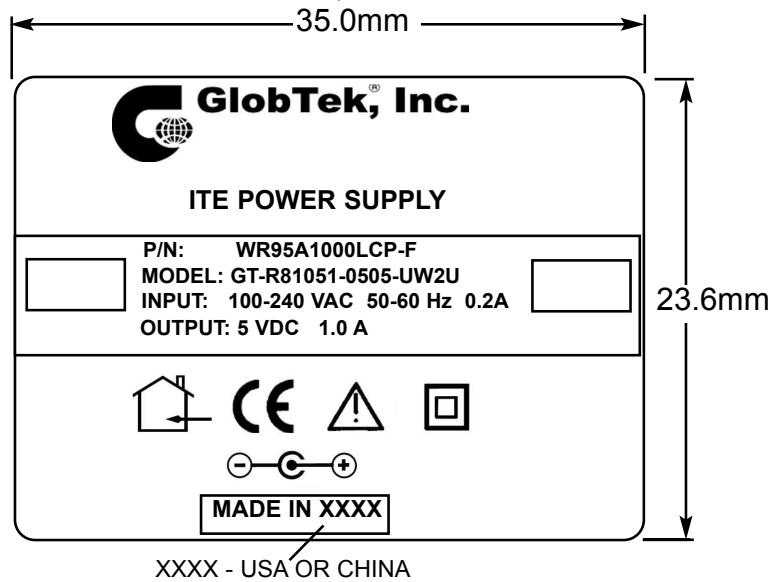
**ITE Power Adapter, 5 Watt, Single Output Family,
Desktop and Wall Plug-In, N.A.,
European, U.K., Australian Input, Class II**



2.3. UK (W2U):
SIZE: 55.5 x 39.3 x 30.2 ± 1 mm
CONFIGURATION: BS 1363 / 3 PRONGS
(GROUND PRONG FLOATING, USED FOR MECHANICAL RIGIDITY)



DATE CODE:
WW - WEEK
YY - YEAR





ISO 9001
REGISTERED



**ITE Power Adapter, 5 Watt, Single Output Family,
Desktop and Wall Plug-In, N.A.,
European, U.K., Australian Input, Class II**

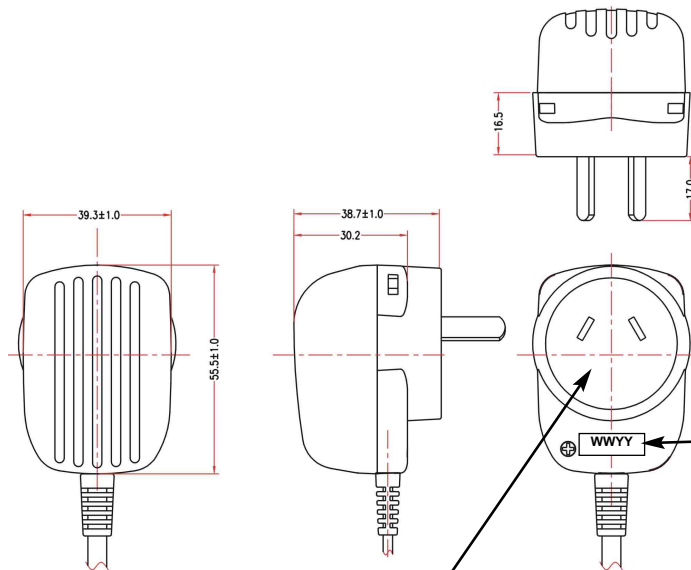


2.4. AUSTRALIAN (W2A):

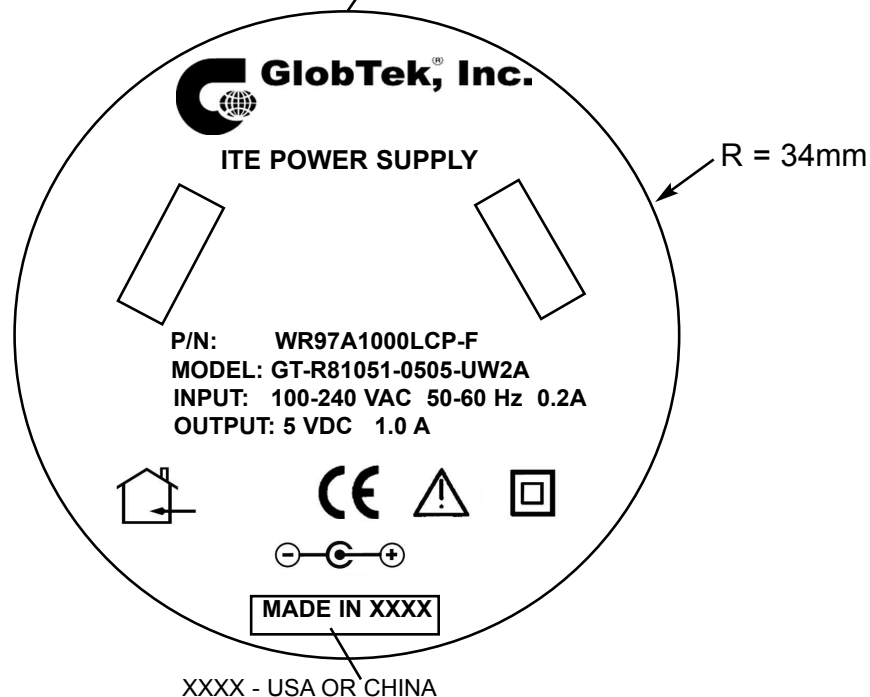
SIZE: 55.5 x 39.3 x 30.2 ± 1 mm

INPUT CONNECTOR:

CONFIGURATION: SAA PLUG, 2 BLADES



DATE CODE:
WW - WEEK
YY - YEAR





ISO 9001 REGISTERED

ITE Power Adapter, 5 Watt, Single Output Family, Desktop and Wall Plug-In, N.A., European, U.K., Australian Input, Class II



3. INPUT CONNECTOR:

N.A. CONFIGURATION: CLASS II MODEL NEMA 1-15P AC POWER RECEPTACLE WITH 2 PRONGS
 EUROPEAN CONFIGURATION: EUROPLUG 2 PINS, CLASS II
 UK CONFIGURATION: UK 2 PINS CLASS II
 AUSTRALIAN CONFIGURATION: SAA 2 PINS CLASS II

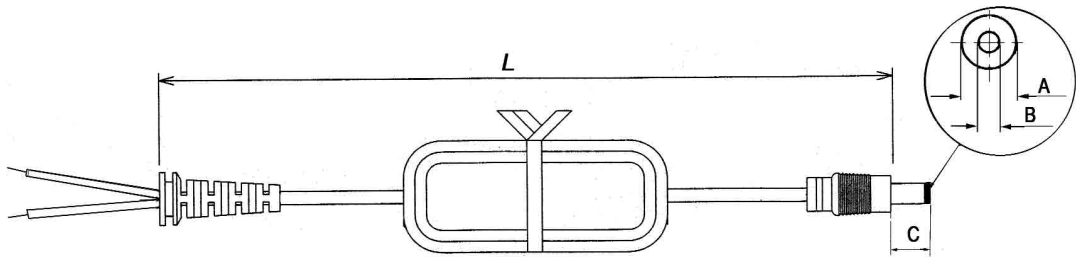


4. OUTPUT CORD:

2 CONDUCTOR, 22 AWG STRANDED WIRE, FLAT VW-1 RATED UL 2468, COLOR BLACK, LENGTH (L) OF CORD: 1830 ± 50mm.
 CORD IS MEASURED FROM THE HOUSING TO THE END OF OVERMOLD OF THE CONNECTOR. CABLE IS TO BE MARKED WITH WIRE GAUGE, AND ALL APPLICABLE RATING AND SAFETY APPROVALS.



6. OUTPUT CONNECTOR:

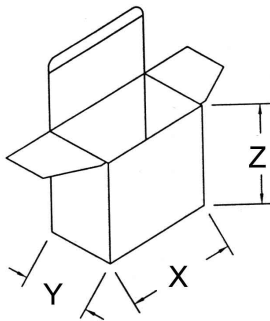


A = 5.5 mm
 B = 2.5 mm
 C = 11 mm

OTHER O/P CORD OPTIONS AVAILABLE UPON REQUEST.



6. INDIVIDUAL PACKING BOX:



NORTH AMERICAN STYLE
 X = 85 mm
 Y = 33 mm
 Z = 80 mm

UK STYLE
 X = 78 mm
 Y = 54 mm
 Z = 65 mm

EURO STYLE
 X = 78 mm
 Y = 45 mm
 Z = 73 mm

