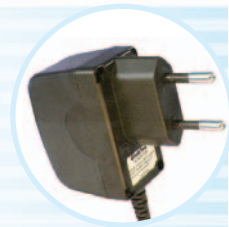




ISO 9001:2000 REGISTERED

0-5 Watts, Wall Plug-In, N.A., European, U.K., Australian Input, Single Output Family, ITE Power Adapter, Class II

Part Number Ordering System (See Page 224)
Output Plug/Cord Options (See Page 189)



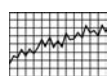
ELECTRICAL SPECIFICATIONS

INPUT VOLTAGE: U= 90-264 VAC; N= 90-130 VAC; E = 180-264VAC
INPUT CURRENT: < 0.2 A RMS AT 90 VAC INPUT
INPUT FREQUENCY: 47 - 63 HZ
OUTPUT CURRENT: NO MINIMUM LOAD REQUIRED
OUTPUT POWER (RATED): 5 WATTS MAX SWITCHING FREQUENCY
OUTPUT RIPPLE (PEAK TO PEAK): 3V-5V MODELS 2% TYPICAL
OUTPUT REGULATION (LINE/LOAD): ± 5 % FOR MAIN OUTPUT, MEASURED AT O/P CONNECTOR
LINE REGULATION: ± 2.0 % MAX AT FULL LOAD
TURN ON/ TURN OFF OVERSHOOT: 4% MAX 500uS MAX RECOVERY TIME FOR 25% STEP LOAD
TURN-ON DELAY: 2000 mSEC MAX
HOLD-UP TIME: 5 m SEC MIN AT NOMINAL INPUT AND FULL LOAD
INRUSH CURRENT: 20 A MAX AT COLD START N.A.
SWITCHING FREQUENCY: 100 KHZ TYPICAL
OVER-VOLTAGE PROTECTION: VOLTAGE LIMITED LESS 130% OF NOMINAL VOLTAGE
OVER-CURRENT / SHORT CIRCUIT: HICCUP WITH AUTO RECOVERY TO 1.1 - 1.3 IO
OTHER PROTECTION: INPUT FUSING
SAFETY APPROVALS: UL60950, CUL TO 22.2# 950, TUV TO EN60950, PSE TO J60950
DIELECTRIC WITHSTAND VOLTAGE: 4242VDC (3000VAC) PRIMARY-SECONDARY
LEAKAGE CURRENT: ≤ 0.25 mA
LINE SURGE: EN 61000-4-5 LEVEL 4

EMI: COMPLIES WITH EN55022 CLASS B AND FCC PART 15 CLASS B WHEN TESTED WITH A RESISTIVE LOAD, BOTH CONDUCTED AND RADIATED.
CE MARK: TESTED TO COMPLY WITH EN61000-3-2 EN61000-3-3 AND EN50082-1, INCLUDING EN61000-4-2, EN61000-4-3, EN61000-4-4, EN61000-4-5, EN61000-4-6, EN61000-4-11, LEVEL 4. UNIT IS ELIGIBLE FOR CE MARK.
MTBF: GREATER THAN 50,000 HOURS AT 25°C
AMBIENT TEMPERATURE, OPERATING TEMPERATURE: 0° C TO 40° C
STORAGE TEMPERATURE: -40° C TO 80° C
HUMIDITY: 0% TO 90% RELATIVE HUMIDITY
MODEL NUMBER DESCRIPTION: MODEL GT-A81051-05(XX)(-Y.Y)W2(-,E, A, U)
NOTE: U & N = UL,CUL,CE MARKED ; U & E = CE, TUV MARKED (-,E,A,U) = BLADE CONFIGURATION; "-"- US BLADE, "E"-EUROPEAN BLADE, "A"-AUSTRALIAN BLADE, "U"-UK BLADES

CONSTANT CURRENT CURRENT LIMIT: OPTIONAL; FOR BATTERY CHARGER APPLICATIONS

- NOTES: 1. EACH OUTPUT CURRENT MAY VARY WITHIN IT'S DESIGNATION RANGE, AS LONG AS OUTPUT POWER IS NOT EXCEEDED.
2. OUTPUTS MAY VARY FROM 3VDC-13VDC IN 0.1V INCREMENTS
3. (-Y.Y) OPTIONAL FOR SPECIFYING OUTPUT VOLTAGE DEVIATION FROM LISTED RATINGS. SUBTRACT Y.Y FROM RATED VOLTAGE.



SEE APPENDIX "A" FOR ELECTRICAL PERFORMANCE CURVES

OUTPUT VOLTAGE / CURRENT: NORTH AMERICAN BLADE CONFIGURATION

Table with 4 columns: MODEL NUMBER, OUTPUT VOLTAGE (VDC), OUTPUT CURRENT (mA), RATED OUTPUT POWER (W). Lists various model numbers and their specifications.

SPECIFICATIONS MAY CHANGE WITHOUT PRIOR NOTICE. CONSULT GLOBTEK CUSTOMER SERVICE FOR LATEST SPECIFICATIONS.



ISO 9001:2000
REGISTERED


**0-5 Watts, Wall Plug-In, N.A., European, U.K., Australian Input,
Single Output Family, ITE Power Adapter, Class II**

Part Number Ordering System (See Page 224)
Output Plug/Cord Options (See Page 189)



ENCLOSURES

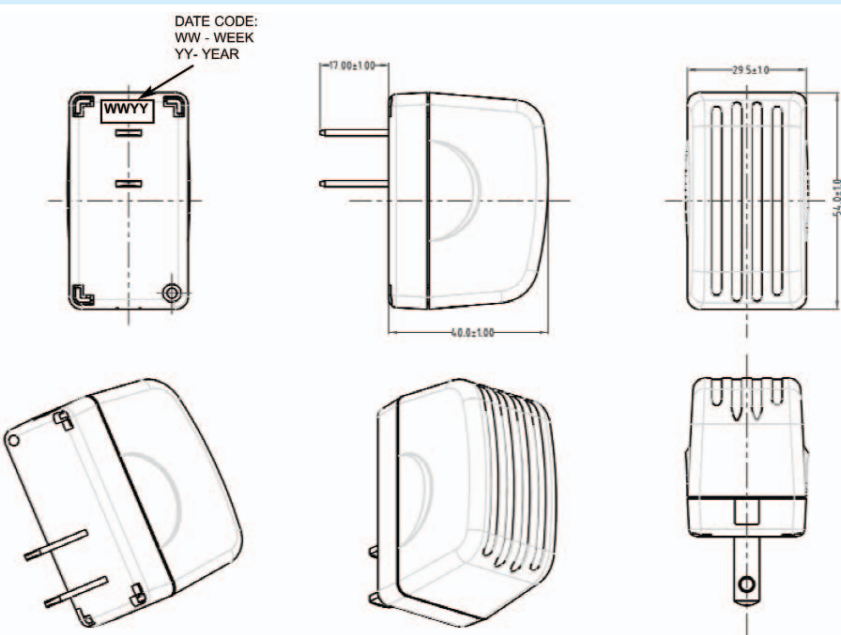
HOUSING: HIGH IMPACT PLASTIC, 94V0 POLYCARBONATE, NON-VENTED, COLOR BLACK, CUSTOMER SPECIFIED COLOR AVAILABLE UPON REQUEST.



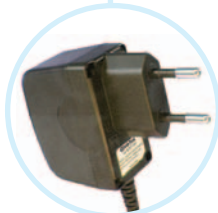
NORTH AMERICA (W2)

SIZE:
54.0 x 29.5 x 40.0 ± 1 mm

INPUT CONNECTOR:
CONFIGURATION:
NEMA 1-15/JIS 8303 CLASS II
WITH 2 BLADES



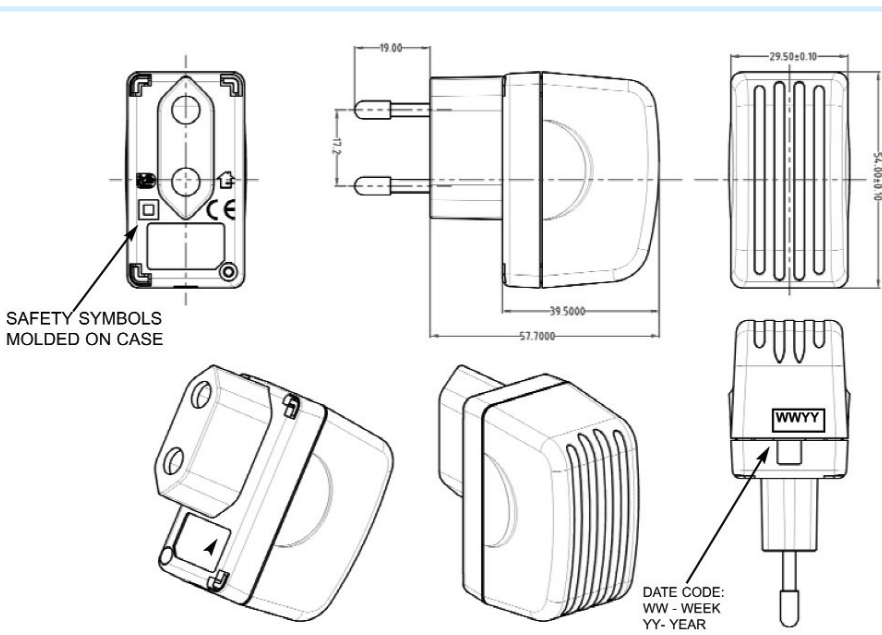
STANDARD MODEL



EUROPEAN (W2E)

SIZE:
54.0 x 29.0 x 39.5 ± 1 mm

INPUT CONNECTOR:
CONFIGURATION:
EURO PLUG CEE7/16,
CLASS II



STANDARD MODEL

SPECIFICATIONS MAY CHANGE WITHOUT PRIOR NOTICE. CONSULT GLOBTEK CUSTOMER SERVICE FOR LATEST SPECIFICATIONS.



ISO 9001:2000
REGISTERED

GT-A81051 SERIES-5W


0-5 Watts, Wall Plug-In, N.A., European, U.K., Australian Input, Single Output Family, ITE Power Adapter, Class II

Part Number Ordering System (See Page 224)
Output Plug/Cord Options (See Page 189)



ENCLOSURES

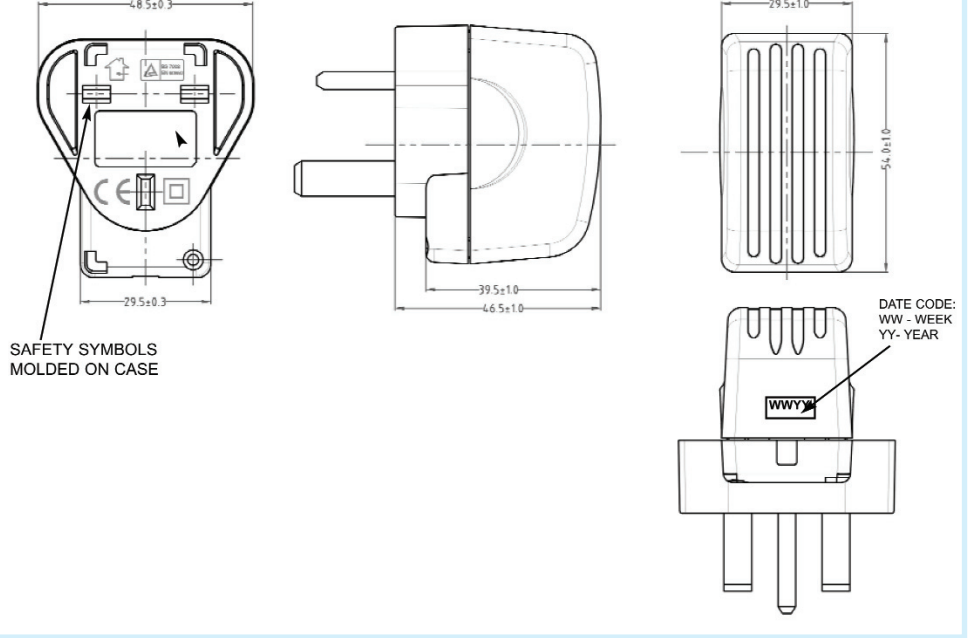
HOUSING: HIGH IMPACT PLASTIC, 94V0 POLYCARBONATE, NON-VENTED, COLOR BLACK, CUSTOMER SPECIFIED COLOR AVAILABLE UPON REQUEST.



UK (W2U)


SIZE:
54.0 x 29.0 x 39.5 + 1 mm

INPUT CONNECTOR:
CONFIGURATION:
BS 1363 / 3 PRONGS
(GROUND PRONG
FLOATING, USED FOR
MECHANICAL RIGIDITY)



SAFETY SYMBOLS
MOLDED ON CASE

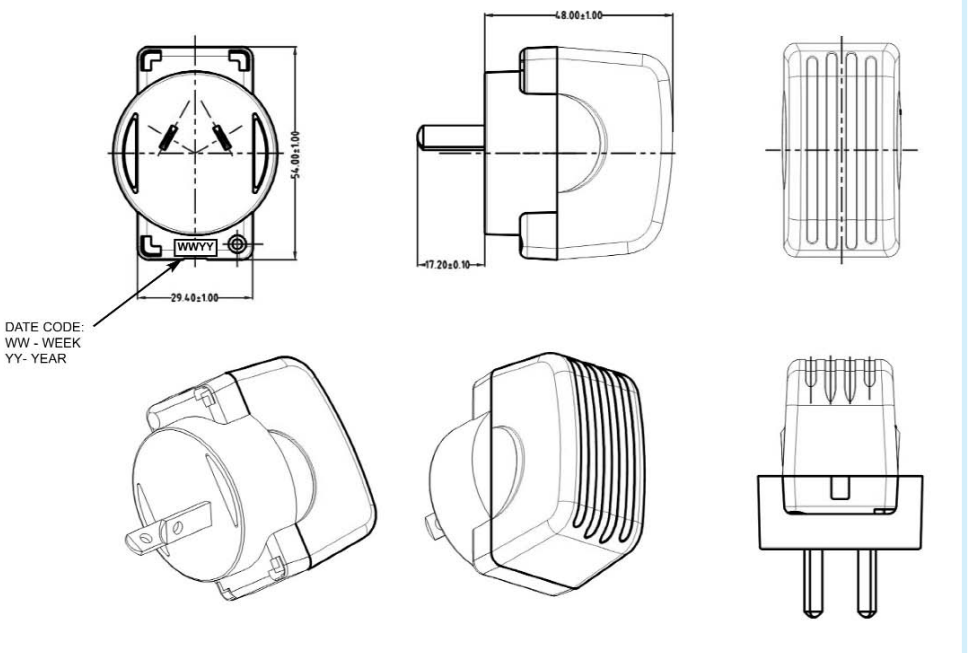
DATE CODE:
WW - WEEK
YY - YEAR



AUSTRALIAN (W2A)

SIZE:
54.0 x 29.4 x 48.0 + 1 mm

INPUT CONNECTOR:
CONFIGURATION:
AS/NZ 3112, 2 BLADES



DATE CODE:
WW - WEEK
YY - YEAR

SPECIFICATIONS MAY CHANGE WITHOUT PRIOR NOTICE. CONSULT GLOBTEK CUSTOMER SERVICE FOR LATEST SPECIFICATIONS.