



5 Watt Cigarette Lighter DC Power Supply Series

Part Number Ordering System (See Page 302)
Output Plug/Cord Options (See Page 271)



INDOOR USE ONLY

GENERAL SPECIFICATION:

INPUT VOLTAGE TYPE:

DC-DC

DC INPUT VOLTAGE:

10.8~24 VDC, NOMINAL 12VDC (INTERNAL FUSE)

DC INPUT CURRENT:

35A AT NO LOAD

NO OF OUTPUTS:

SINGLE O/P

DC OUTPUT VOLTAGE:

5 VDC @1.15 A, MAX OUTPUT RATING: 5.35 VDC@1.15A, LOAD

CAPACITANCE:

0.1uF

LOAD REGULATION:

± 5%

CABLE TYPE/SIZE:

UL1185, P/U MATERIAL, 20AWG

CABLE JACKET COLOR:

BLACK

OVERALL LENGTH:

1830 ± 50 mm

END 'A' TERMINATION:

CIGARETTE LIGHTER

END 'B' TERMINATION:

MICRO USB 'B' PLUG, OR CUSTOMER SPECIFIED OPTION.

PROTECTION:

SHORT, OVP, OCP

MTBF:

200,000 Hrs

WEIGHT:

202 gr

OPERATING TEMPERATURE:

-20°C ~ +60°C

STOPAGE TEMPERATURE:

-40°C ~ +85°C

RELATIVE HUMIDITY:

95%

ENVIRONMENTAL NOTES:

1. DROP TEST REQUIREMENT FOR COMPLETE ASSEMBLY MUST PASS:

1.1. HEIGHT: 1.5M

1.2. CONCRETE FLOOR

1.3. 6 SURFACES AND 4 CORNERS AT RANDOM SEQUENCE

2. VIBRATION STANDARD MIL-STD-810D.

ELECTRICAL NOTES:

1. OUTPUT AC RIPPLE SHALL BE LESS THAN 50 mV P-P

WITH FOLLOWING CONDITIONS:

 1.1. LOAD CURRENT (I_{out}) : 1100mA

1.2. LOAD CAPACITANCE: 0.1 uF

2. RISE TIME SHALL BE LESS THAN 40 mSEC.

3. INTERNAL FUSE PRIMARY SIDE.

MECHANICAL NOTES:

1. CABLE SECURED AT A TENSION OF 1.01 Kgs.

2. PLUG SHALL WITHSTAND BEING BENT AT 2500 CYCLES.

3. CABLE SHALL WITHSTAND 5.4 Kgs AT THE CIGARETTE PLUG WITHOUT ANY MECHANICAL FAILURES.

4. CABLE SHALL WITHSTAND 3.6 Kgs AT OUTPUT PLUG WITHOUT ANY MECHANICAL FAILURES.



OUTPUT VOLTAGE / CURRENT:

CLASS I MODELS, PROTECTIVE GROUND

MODEL NUMBER	PART NUMBER	OUTPUT VOLTAGE (VDC)	OUTPUT CURRENT (A)	RATED OUTPUT POWER (W)
GT-91117-0505	DR6JA1050XXX-M	+5.0	0 - 1.05	0 - 5
GT-91117-0509	DR6JD550XXX-M	+7.0	0 - 0.55	0 - 5
GT-91117-0512	DR6JE410XXX-M	+12.0	0 - 0.41	0 - 5
GT-91117-0515	DR6JG330XXX-M	+15.0	0 - 0.33	0 - 5
GT-91117-0518	DR6JH280XXX-M	+18.0	0 - 0.28	0 - 5
GT-91117-0524	DR6JI200XXX-M	+24.0	0 - 0.20	0 - 5

SPECIFICATIONS MAY CHANGE WITHOUT PRIOR NOTICE. CONSULT GLOBTEK CUSTOMER SERVICE FOR LATEST SPECIFICATIONS.



ISO 9001:2000
REGISTERED

GT-91117-0505



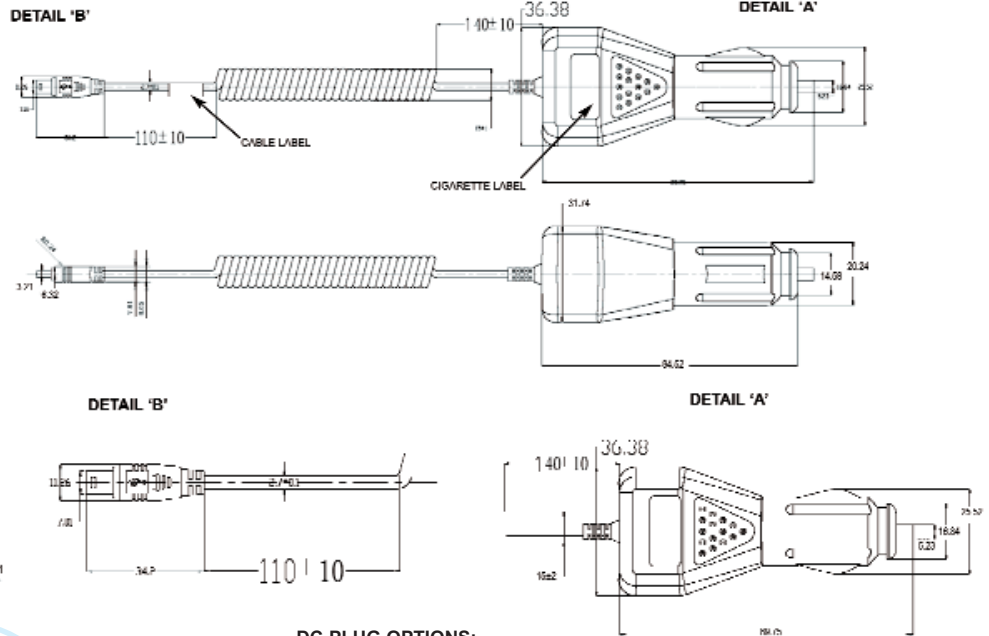
5 Watt Cigarette Lighter DC Power Supply Series

Part Number Ordering System (See Page 302)
Output Plug/Cord Options (See Page 271)



INDOOR USE ONLY

ENCLOSURES

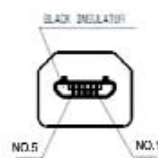


DC PLUG OPTIONS:
 MINI-USB
 MICRO-USB
 USB-A
 CUSTOMER SPECIFIED PLUG

CIGARETTE LABEL:



FRONT VIEW OF MICRO-USB TYPE



PINOUT:
 PIN 1: +5V
 PIN 2: D
 PIN 3: D+
 PIN 4: N/C
 PIN 5: GND

NOTE:
 PIN 2 (D-) AND PIN 3(D+) SHALL BE SHORTED TOGETHER INSIDE THE CONNECTOR.

SPECIFICATIONS MAY CHANGE WITHOUT PRIOR NOTICE. CONSULT GLOBTEK CUSTOMER SERVICE FOR LATEST SPECIFICATIONS.

www.globtek.com

+1.201.784.1000