



ISO 9001:2008  
REGISTERED



**6 Watts, Potted Switching Power Supply,  
Universal Input, ITE, Class II, Level V**



**INPUT VOLTAGE:**  
100-240 VAC

**INPUT CURRENT:**  
0.3 A RMS MAX

**INPUT FREQUENCY:**  
47 - 63 HZ

**OUTPUT VOLTAGE:**  
SEE TABLE BELOW

**OUTPUT CURRENT:**  
SEE TABLE BELOW, NO MINIMUM LOAD REQUIRED TO MAINTAIN OUTPUT VOLTAGE REGULATION

**OUTPUT POWER (RATED):**  
6 WATTS MAX

**OUTPUT RIPPLE (PEAK TO PEAK):**  
1% OR 50 MV WHICHEVER IS GREATER. MEASURED AT 20 MHZ BANDWIDTH WITH 0.1 MF CERAMIC CAPACITOR IN PARALLEL WITH 10 MF ELECTROLYTIC CAPACITOR CONNECTED AT THE END OF OUTPUT CONNECTOR AT NOMINAL LINE

**OUTPUT LOAD REGULATION:**  
+ 5 % OF NOMINAL OUTPUT VOLTAGE, MEASURED AT O/P CONNECTOR AT NOMINAL LINE

**LINE REGULATION:**  
+ 1 % OF NOMINAL OUTPUT VOLTAGE, MEASURED AT O/P CONNECTOR

**TURN ON/ TURN OFF OVERTHOOT:**  
± 5% MAX 500µS MAX RECOVERY TIME FOR 25% STEP LOAD

**TURN-ON DELAY:**  
3000 mSEC MAX

**HOLD-UP TIME:**  
8 mSEC MIN AT NOMINAL INPUT AND FULL LOAD

**INRUSH CURRENT:**  
30 A MAX AT COLD START 115 VAC, 60A MAX COLD START 230VAC

**SWITCHING FREQUENCY:**  
66.5 KHz TYPICAL

**OVER-VOLTAGE PROTECTION:**  
PROTECTED, UNIT WILL AUTORECOVER UPON REMOVAL OF FAULT

**OVER-CURRENT / SHORT CIRCUIT:**  
PROTECTED, UNIT WILL AUTORECOVER UPON REMOVAL OF FAULT

**OTHER PROTECTION:**  
INPUT LINE FUSING

**SAFETY APPROVALS:**  
CE CLASS II, PSE TO J60950-1, CB REPORT TO EN 60950-1

**DIELECTRIC WITHSTAND VOLTAGE:**  
4242 VDC PRIMARY-SECONDARY

**LEAKAGE CURRENT:**  
< 300 mA AT 240 VAC

**EMI:**  
COMPLIES WITH EN55022 CLASS B AND WHEN TESTED WITH A RESISTIVE LOAD, BOTH CONDUCTED AND RADIATED EMI

**CE MARK:**  
TESTED TO COMPLY WITH EN61000-3-2, EN61000-3-3, EN60601-1-2 2001, INCLUDING EN61000-4-2, EN61000-4-3, EN61000-4-4, EN61000-4-5, EN61000-4-6, EN61000-4-8, EN61000-4-11.

**EFFICIENCY:**  
COMPLIES WITH CEC, LEVEL V CECP TIER 2 (CHINA), MEPS TIER 2 (AUSTRALIA), CODE OF CONDUCT (EUROPE)

**MTBF:**  
200,000 HOURS AT 25°C AMBIENT TEMPERATURE

**OPERATING TEMPERATURE:**  
0°C TO 40° C

**STORAGE TEMPERATURE:**  
-40°C TO 80° C

**HUMIDITY:**  
0% TO 90% RELATIVE HUMIDITY

**RoHS:**  
COMPLIES WITH EU 2002/95/EC AND CHINA SJ/T 11363-2006

**OUTPUT VOLTAGE / CURRENT:**

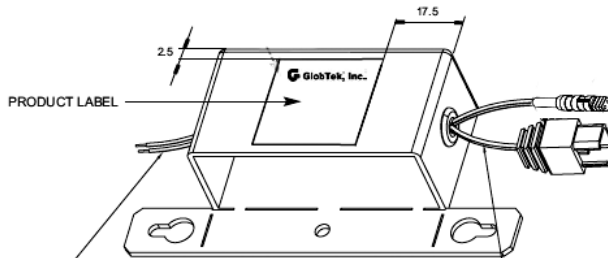
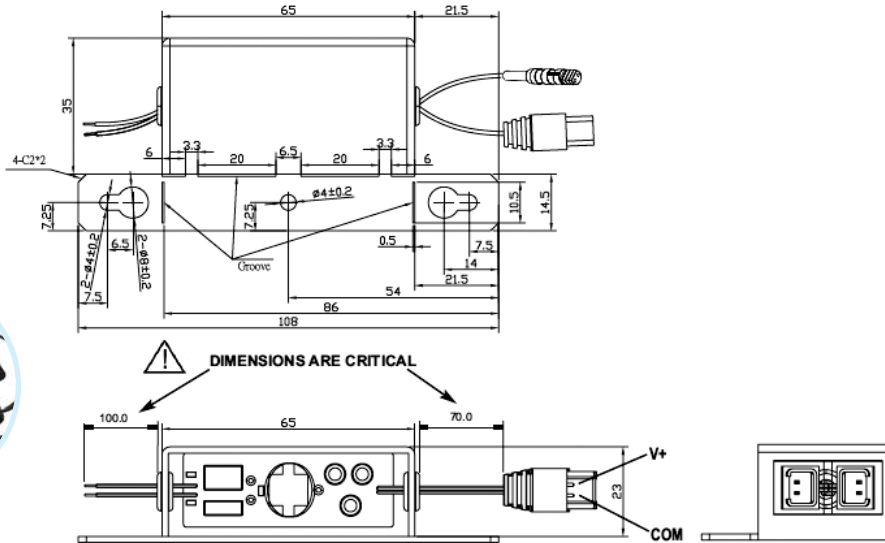
MODEL NUMBER	OUTPUT VOLTAGE (VDC)	OUTPUT CURRENT (A)	RATED OUTPUT POWER (W)
GT-41076-0605-X.X	+5.0	0 - 1.2	0 - 6.0
GT-41076-0609-X.X	+9.0	0 - 0.66	0 - 6.0
GT-41076-0612-X.X	+12.0	0 - 0.5	0 - 6.0
GT-41076-0615-X.X	+15.0	0 - 0.4	0 - 6.0
GT-41076-0618-X.X	+18.0	0 - 0.33	0 - 6.0
GT-41076-0624-X.X	+24.0	0 - 0.25	0 - 6.0
GT-41076-0636-X.X	+36.0	0 - 0.17	0 - 6.0
GT-41076-0648-X.X	+48.0	0 - 0.125	0 - 6.0
GT-41076-0655-X.X	+55.0	0 - 0.11	0 - 6.0

SPECIFICATIONS MAY CHANGE WITHOUT PRIOR NOTICE. CONSULT GLOBTEK CUSTOMER SERVICE FOR LATEST SPECIFICATIONS.

6 Watts, Potted Switching Power Supply, Universal Input, ITE, Class II, Level V



ENCLOSURE



AC Input Wires, AWG 18, FTI, 80C, 300V, Unicab, Type LL34977, AWM, 100mm long, Stripped and Tinned Black for line, White for Neutral

Output connector: Stocko PN: MKS1651-G-X-202  
Wire type: AWG 24, UL 2468 Wire

**NOTE:** INPUT CONNECTOR IS OPTIONAL.  
FOR OTHER OUTPUT CONNECTOR OPTIONS,  
SEE OUTPUT/PLUG/CORD OPTIONS PAGE.

- NOTES:
- 1) Material: ABS+PC C9250
  - 2) Color: Black
  - 3) Thickness: 1.6mm+/-0.13mm
  - 4) All dimensions are in mm.
  - 5) Enclosure to be filled with black potting compound after the Power Supply is installed inside.

