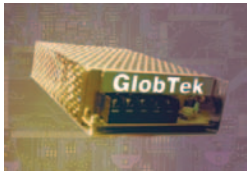




ISO 9001:2000  
REGISTERED



## 25 Watts, Switchmode Power Supply, Single Output, Enclosed, Universal Input

Part Number Ordering System (See Page 224)  
Output Plug/Cord Options (See Page 189)

### ELECTRICAL SPECIFICATIONS:

#### INPUT VOLTAGE:

85 VAC TO 264 VAC

#### INPUT CURRENT:

0.35A @ 230V

#### INPUT FREQUENCY:

47 HZ - 63 HZ

#### OUTPUT CURRENT:

NO LOAD TO FULL LOAD, NO MINIMUM LOAD REQUIRED

#### OUTPUT POWER (RATED):

25 WATTS MAX

#### OUTPUT RIPPLE (PEAK TO PEAK):

50 mV (P-P) FOR 5V,  
100 mV (P-P) FOR ALL OTHER OUTPUTS

#### ADJUSTABILITY:

+10, -5% OUTPUT

#### OUTPUT REGULATION (LINE):

± 5 % FOR OUTPUT

#### LOAD REGULATION (LINE):

5V MODEL +/-1%, ± 0.5% FOR ALL OTHER OUTPUTS

#### TURN ON/ TURN OFF OVERSHOOT:

4% MAX 500µS MAX RECOVERY TIME FOR 25% STEP LOAD

#### TURN-ON DELAY:

1 SEC MAX

#### HOLD-UP TIME:

10 mSEC MIN AT NOMINAL INPUT 115 VAC AND FULL LOAD

#### INRUSH CURRENT:

15 A MAX AT COLD START FOR N.A. (30A FOR EURO)

#### EFFICIENCY:

75 % TYPICAL

#### SWITCHING FREQUENCY:

100 KHZ TYPICAL

#### OVER-VOLTAGE PROTECTION:

VOLTAGE LIMITED LESS 115% ~ 135% OF NOMINAL VOLTAGE  
FOR MAIN OUTPUT

#### OVER-CURRENT / SHORT CIRCUIT:

HICCUP WITH AUTO RECOVERY TO 1.1 - 1.3 IO

#### OTHER PROTECTION:

INPUT FUSING

#### SAFETY APPROVALS:

UL1012, UL 60950 / 1950, CUL TO 22.2 # 234, 950,  
TUV TO EN 60950, CE CLASS I

#### DIELECTRIC WITHSTAND VOLTAGE:

4242VDC (3000VAC) PRIMARY-SECONDARY;  
2121VDC (1500 VAC) PRIMARY- GROUND

#### LEAKAGE CURRENT:

≤ 0.75 mA @ 240 VAC

#### LINE SURGE:

EN 61000-4-5 LEVEL 4

#### EMI:

COMPLIES WITH EN55022, 1 CLASS B AND  
FCC PART 15 CLASS B WHEN TESTED WITH A RESISTIVE  
LOAD, BOTH CONDUCTED AND RADIATED

#### CE MARK:

TESTED TO COMPLY WITH EN61000-3-2, EN61000-3-3 AND  
EN50082-1 INCLUDING EN61000-4-2, EN61000-4-3,  
EN61000-4-4, EN61000-4-5, EN61000-4-6, EN61000-4-11  
LEVEL 4, UNIT IS ELIGIBLE FOR CE MARK.

#### MTBF:

GREATER THAN 50,000 HOURS AT 25° C AMBIENT  
TEMPERATURE

#### OPERATING TEMPERATURE:

0° C TO 45° C, DERATE LINEARY TO 60% OUTPUT POWER  
AT 60° C

#### STORAGE TEMPERATURE:

-40° C TO 80° C

#### HUMIDITY:

0% TO 90% RELATIVE HUMIDITY

#### WEIGHT:

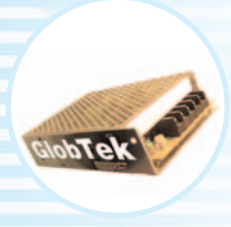
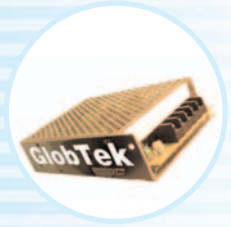
0.37 kg REF

#### VIBRATION:

10-500 Hz 2G 10 MIN/ CYCLE (PERIOD = 60 MINUTES,  
EACH AXIS)

#### NOTES:

DIMENSIONS ARE IN MM UNLESS SPECIFIED OTHERWISE.



### OUTPUT VOLTAGE / CURRENT:

MODEL NUMBER	OUTPUT VOLTAGE (VDC)	OUTPUT CURRENT (A)	RATED OUTPUT POWER (W)
GT-25-5	+5 +/-2%	5	0 - 25
GT-25-12	+12 +/-1%	2.1	0 - 25
GT-25-15	+15 +/-1%	1.7	0 - 25
GT-25-24	+24 +/-1%	1.1	0 - 25

SPECIFICATIONS MAY CHANGE WITHOUT PRIOR NOTICE. CONSULT GLOBTEK CUSTOMER SERVICE FOR LATEST SPECIFICATIONS.

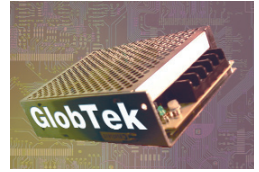


ISO 9001:2000  
REGISTERED

# GT-25 SERIES-25W

## 25 Watts, Switchmode Power Supply, Single Output Enclosed, Universal Input

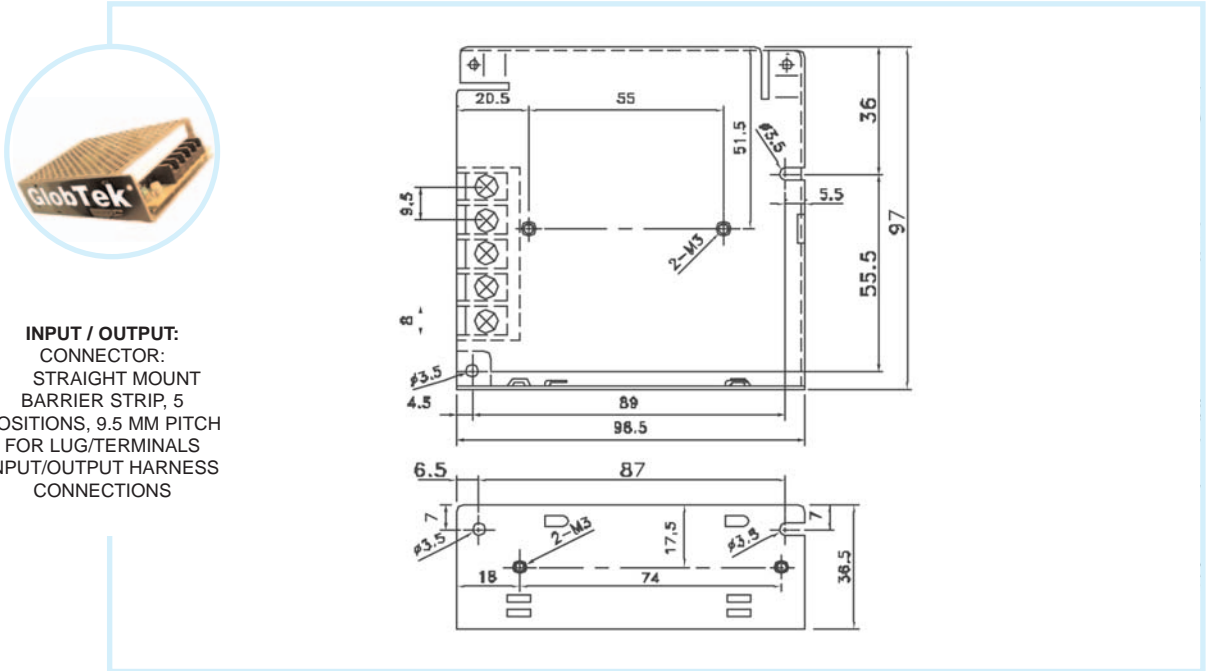
Part Number Ordering System (See Page 224)  
Output Plug/Cord Options (See Page 189)



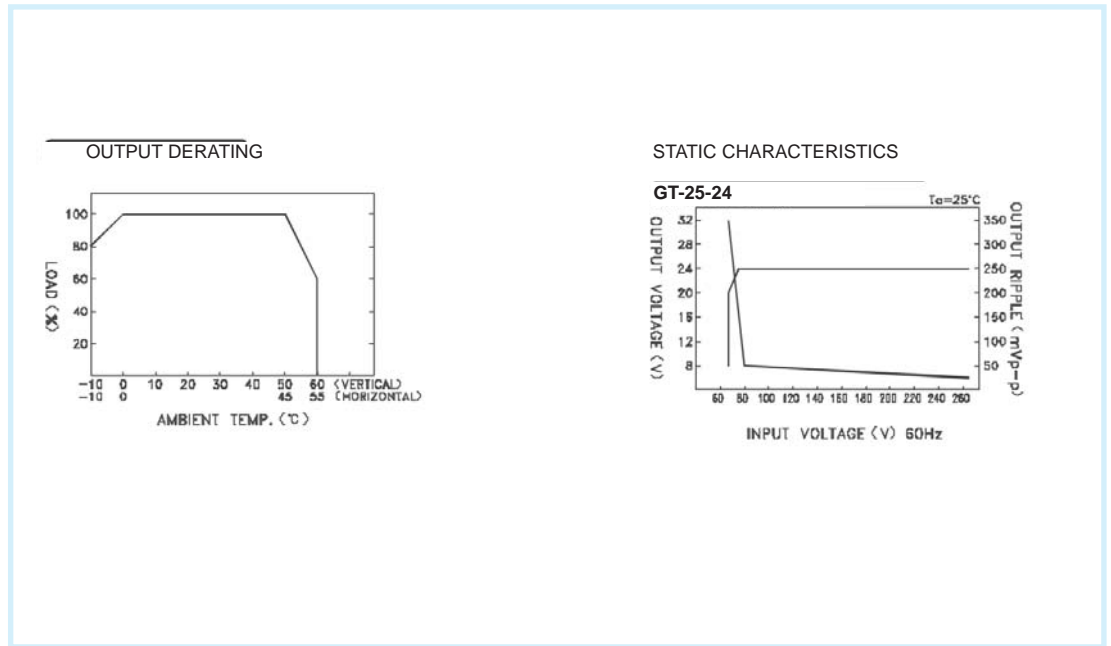
### ENCLOSURE

#### CONFIGURATION:

ENCLOSED SWITCHING POWER SUPPLY, AL. ALLOY 3003 OR EQUIVALENT, GOLD IRRIDITE, CHEM. TREATED FINISH,, CHASSIS: "U" CHANNEL, WITH (5) MOUNTING METRIC INSERT M3, AS SHOWN BELOW: (2) BOTTOM; (3) RIGHT SIDE. COVER: "L" SHAPE WITH HOLES SCREENED PATTERN FOR NATURAL CONVECTION COOLING THERMAL TRANSFER.



### CHARTS



SPECIFICATIONS MAY CHANGE WITHOUT PRIOR NOTICE. CONSULT GLOBTEK CUSTOMER SERVICE FOR LATEST SPECIFICATIONS.