



ISO 9001:2000
REGISTERED



**0-30 Watts, Desktop Power Supply, Single Output,
Family, Input, ITE, Class I & II**

Part Number Ordering System (See Page 224)
Output Plug/Cord Options (See Page 189)



ELECTRICAL SPECIFICATIONS:

INPUT VOLTAGE:
90 VAC TO 264 VAC

INPUT CURRENT:
≤ 0.5 A RMS AT 90 VAC INPUT

INPUT FREQUENCY:
47 HZ - 63 HZ

OUTPUT CURRENT:
NO MINIMUM LOAD REQUIRED

OUTPUT POWER (RATED):
30 WATTS MAX

OUTPUT RIPPLE (PEAK TO PEAK):
1% OF OUTPUT VOLTAGE TYPICAL

OUTPUT REGULATION (LINE/LOAD):
+/- 5% MEASURED AT THE OUTPUT CONNECTOR

LINE REGULATION:
+/- 1% TYPICAL MEASURED AT FULL LOAD

TURN ON/ TURN OFF OVERSHOOT:
5% MAXIMUM, 1mS TYPICAL RECOVERY TIME FOR 25% STEP LOAD

TURN-ON DELAY:
1 SEC TYPICAL

HOLD-UP TIME:
10mS TYPICAL AT NOMINAL INPUT VOLTAGE AND FULL LOAD

INRUSH CURRENT:
30A TYPICAL AT 115Vac INPUT AND 40A TYPICAL AT 230Vac INPUT

EFFICIENCY:
75% TYPICAL AT NOMINAL INPUT AND FULL LOAD

SWITCHING FREQUENCY:
100KHZ TYPICAL, VARIES WITH LINE AND LOAD

OVER-VOLTAGE PROTECTION:
VOLTAGE LIMITED TO LESS THAN 130%, CROWBAR METHOD

OVER-CURRENT / SHORT CIRCUIT:
MOMENTARY SHORT CIRCUIT PROTECTED, OUTPUT WILL AUTORECOVER UPON REMOVAL OF SHORT

OTHER PROTECTION:
INPUT FUSING; LINE FUSING

SAFETY APPROVALS:

ITE MODEL: UL 60950, CUL TO 22.2# 950, NEMKO, GS, SEMKO, FIMKO, DEMKO TO EN60950, CCC MARK TO GB4943-2001, GB9254-1998, GB17625.1-2003 (GT-21089-T3 FROM 5-18V OUTPUT), PSE TO J60950, C-TICK, POLAND PCBC TO EN60950, DEMKO TO EN60950, ARGENTINA S-MARK TO en 60950, CB REPORT, CE CLASS I & II

DIELECTRIC WITHSTAND VOLTAGE:

4242VDC FROM PRIMARY TO SECONDARY

LEAKAGE CURRENT:

< 300uA at 264Vac INPUT VOLTAGE

LINE SURGE:

EN 61000-4-5 LEVEL 4

EMI:

COMPLIES WITH EN55022 CLASS B AND FCC PART 15 CLASS B WHEN TESTED WITH RESISTIVE LOAD, BOTH CONDUCTED AND RADIATED EMI

CE MARK:

TESTED TO COMPLY WITH EN61000-3-2 EN61000-3 AND EN50082-1 INCLUDING EN61000-4-2 (SYSTEM LEVEL), EN61000-4-3, EN61000-4-4, EN61000-4-5, EN61000-4-6, EN61000-4-11 LEVEL 4.

MTBF:

GREATER THAN 50,000 HOURS AT 25C AMBIENT TEMP. NOMINAL LINE AND FULL LOAD PER MIL-217 STANDARD

OPERATING TEMPERATURE:

OPERATING TEMPERATURE: 0°C TO 40°C AMBIENT TEMPERATURE

STORAGE TEMPERATURE:

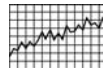
-10°C TO 80°C

HUMIDITY:

0% TO 90% RELATIVE HUMIDITY

NOTES:

1. EACH OUTPUT CURRENT MAY VARY WITHIN ITS DESIGNATION RANGE, AS LONG AS OUTPUT POWER IS NOT EXCEEDED.
2. SINGLE OUTPUT UNITS ARE AVAILABLE FROM 5V UP TO 24V IN 0.1V INCREMENTS.
3. (X.X) OPTIONAL FOR SPECIFYING OUTPUT VOLTAGE DEVIATION FROM STANDARD MODEL. SUBTRACTING X.X VOLTS FROM STANDARD OUTPUT VOLTAGE.



SEE APPENDIX "D" FOR ELECTRICAL PERFORMANCE CURVES

OUTPUT VOLTAGE / CURRENT:

CLASS II MODELS, DOUBLE INSULATED, T2

MODEL NUMBER	OUTPUT VOLTAGE (VDC)	OUTPUT CURRENT (A)	RATED OUTPUT POWER (W)
GT-21148-2005-T2	+ 5.0	0 - 4.0	0 - 20
GT-21148-2506-X.X-T2	+ 6.0	0 - 4.2	0 - 25
GT-21148-2709-2.0-T2	+ 7.0	0 - 3.7	0 - 26
GT-21148-2709-1.0-T2	+ 8.0	0 - 3.25	0 - 26
GT-21148-2709-X.X-T2	+ 9.0	0 - 3.0	0 - 27
GT-21148-3012-2.0-T2	+ 10.0	0 - 3.0	0 - 30
GT-21148-3012-1.0-T2	+ 11.0	0 - 2.7	0 - 30
GT-21148-3012-X.X-T2	+ 12.0	0 - 2.5	0 - 30
GT-21148-3015-2.0-T2	+ 13.0	0 - 2.3	0 - 30
GT-21148-3015--1.2-T2	+ 13.8	0 - 2.1	0 - 30
GT-21148-3015-1.0-T2	+ 14.0	0 - 2.1	0 - 30
GT-21148-3015-X.X-T2	+ 15.0	0 - 2.0	0 - 30
GT-21148-3018-2.0-T2	+ 16.0	0 - 1.9	0 - 30
GT-21148-3018-1.0-T2	+ 17.0	0 - 1.8	0 - 30
GT-21148-3018-X.X-T2	+ 18.0	0 - 1.7	0 - 30
GT-21148-3024-5.0-T2	+ 19.0	0 - 1.6	0 - 30
GT-21148-3024-4.0-T2	+ 20.0	0 - 1.5	0 - 30
GT-21148-3024-X.X-T2	+ 24.0	0 - 1.25	0 - 30





ISO 9001:2000
REGISTERED

GT-21148 SERIES-30W

0-30 Watts, Desktop Power Supply, Single Output, Family, Input, ITE, Class I & II



Part Number Ordering System (See Page 224)
Output Plug/Cord Options (See Page 189)

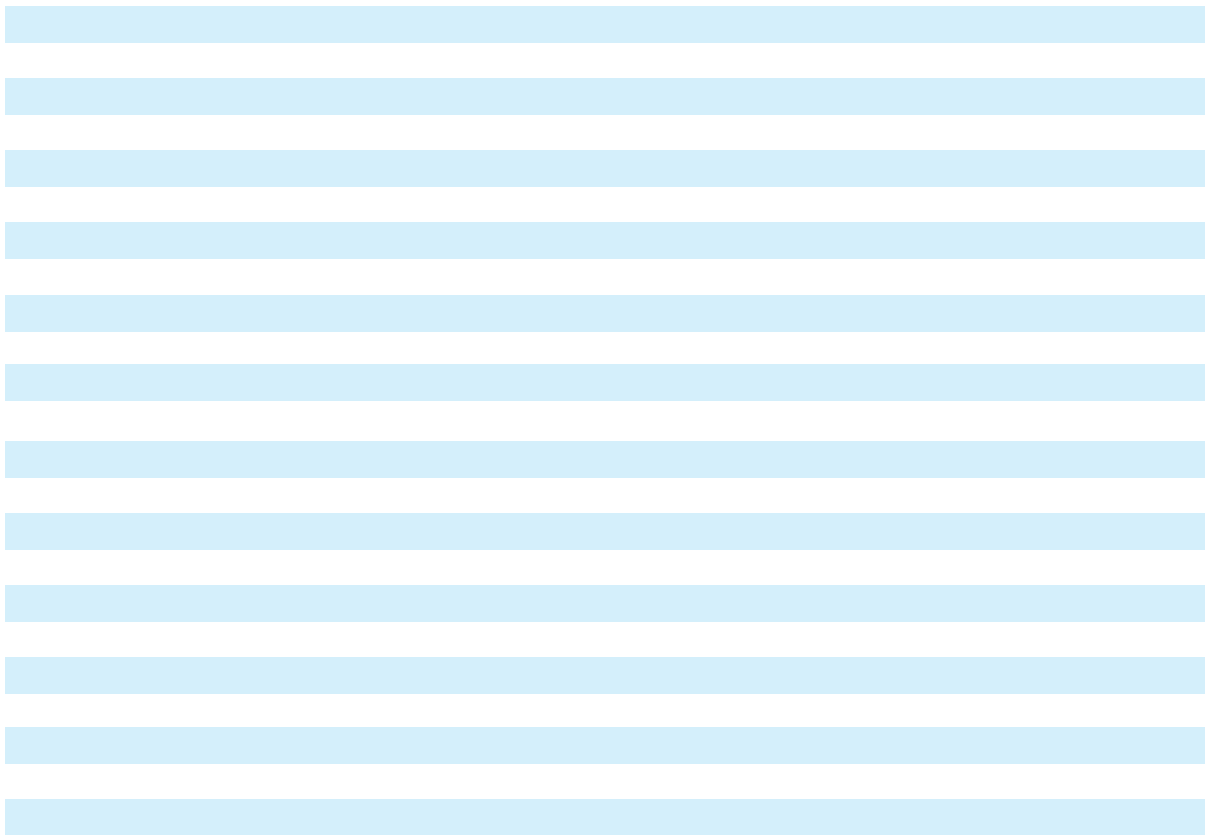
 INDOOR USE ONLY



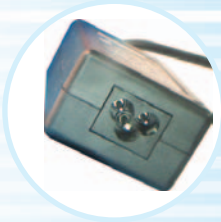
OUTPUT VOLTAGE / CURRENT:

CLASS I MODELS, FUNCTIONAL GROUND, T3 AND CLASS II, DOUBLE INSULATED, T2.

MODEL NUMBER	OUTPUT VOLTAGE (VDC)	OUTPUT CURRENT (A)	RATED OUTPUT POWER (W)
GT-21148-2005-T3	+ 5.0	0 - 4.0	0 - 20
GT-21148-2506-X.X-T3	+ 6.0	0 - 4.2	0 - 25
GT-21148-2709-2.0-T3	+ 7.0	0 - 3.7	0 - 26
GT-21148-2709-1.0-T3	+ 8.0	0 - 3.25	0 - 26
GT-21148-2709-X.X-T3	+ 9.0	0 - 3.0	0 - 27
GT-21148-3012-2.0-T3	+ 10.0	0 - 3.0	0 - 30
GT-21148-3012-1.0-T3	+ 11.0	0 - 2.7	0 - 30
GT-21148-3012-X.X-T3	+ 12.0	0 - 2.5	0 - 30
GT-21148-3015-2.0-T3	+ 13.0	0 - 2.3	0 - 30
GT-21148-3015-1.2-T3	+ 13.8	0 - 2.1	0 - 30
GT-21148-3015-1.0-T3	+ 14.0	0 - 2.1	0 - 30
GT-21148-3015-X.X-T3	+ 15.0	0 - 2.0	0 - 30
GT-21148-3018-2.0-T3	+ 16.0	0 - 1.9	0 - 30
GT-21148-3018-1.0-T3	+ 17.0	0 - 1.8	0 - 30
GT-21148-3018-X.X-T3	+ 18.0	0 - 1.7	0 - 30
GT-21148-3024-5.0-T3	+ 19.0	0 - 1.6	0 - 30
GT-21148-3024-4.0-T3	+ 20.0	0 - 1.5	0 - 30
GT-21148-3024-X.X-T3	+ 24.0	0 - 1.25	0 - 30



SPECIFICATIONS MAY CHANGE WITHOUT PRIOR NOTICE. CONSULT GLOBTEK CUSTOMER SERVICE FOR LATEST SPECIFICATIONS.





ISO 9001:2000
REGISTERED



**0-30 Watts, Desktop Power Supply, Single Output,
Family, Input, ITE, Class I & II**

Part Number Ordering System (See Page 224)
Output Plug/Cord Options (See Page 189)

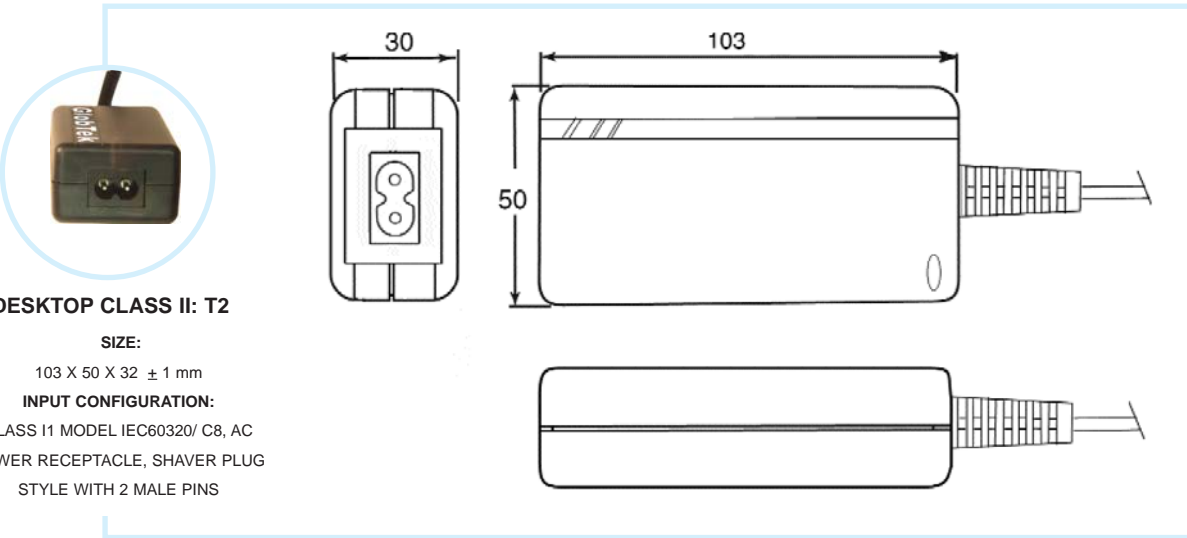


INDOOR USE ONLY

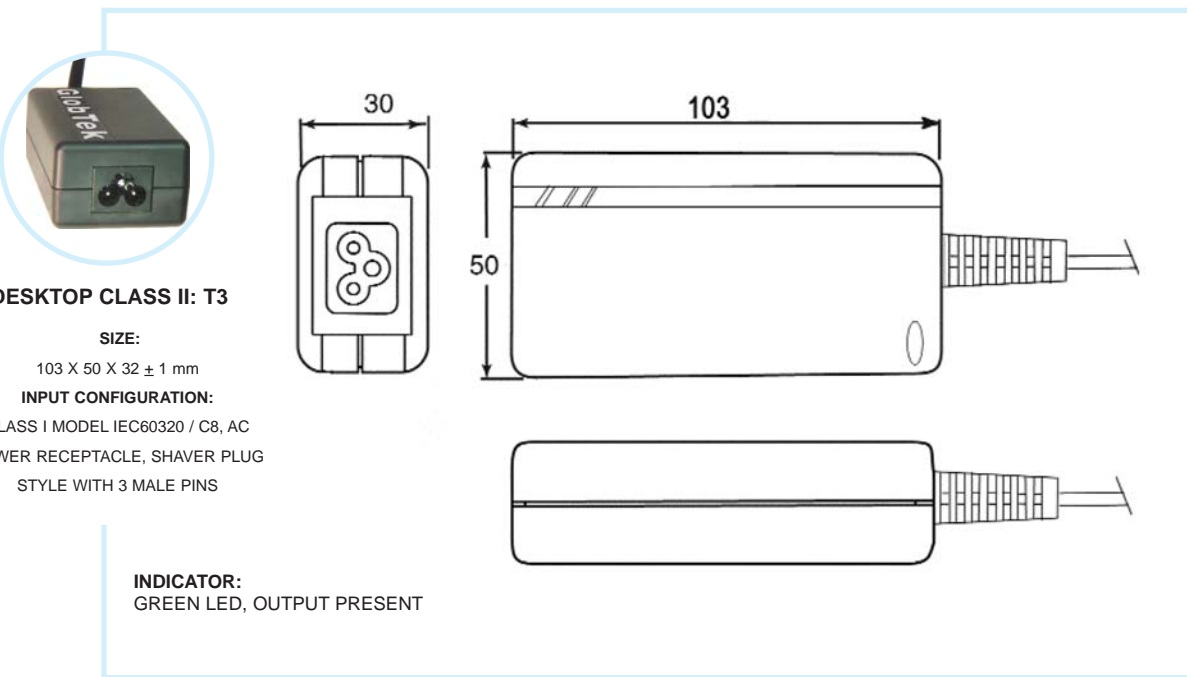
ENCLOSURES

HOUSING: HIGH IMPACT PLASTIC, 94V0 POLYCARBONATE, NON-VENTED, COLOR BLACK, CUSTOMER SPECIFIED COLOR AVAILABLE UPON REQUEST.

INDICATOR:
GREEN LED, OUTPUT PRESENT



HOUSING: HIGH IMPACT PLASTIC, 94V0 POLYCARBONATE, NON-VENTED, COLOR BLACK



SPECIFICATIONS MAY CHANGE WITHOUT PRIOR NOTICE. CONSULT GLOBTEK CUSTOMER SERVICE FOR LATEST SPECIFICATIONS.

