



ISO 9001:2000
REGISTERED

GT-21097 SERIES-50W

0-50 Watts, DeskTop, Switchmode Universal Input, Single Output Family, ITE

Part Number Ordering System (See Page 224)
Output Plug/Cord Options (See Page 189)
Medical Versions (See Page 56)

 INDOOR USE ONLY



ELECTRICAL SPECIFICATIONS:

INPUT VOLTAGE:

90 VAC TO 264 VAC

INPUT CURRENT:

< 1.6 A RMS AT 90 VAC INPUT

INPUT FREQUENCY:

47 HZ - 63 HZ

OUTPUT CURRENT:

NO MINIMUM LOAD REQUIRED

OUTPUT POWER (RATED):

50 WATTS MAX

OUTPUT RIPPLE (PEAK TO PEAK):

1% OF OUTPUT VOLTAGE, PEAK TO PEAK, TYPICAL

OUTPUT REGULATION (LINE/LOAD):

+/-5% MEASURED AT THE OUTPUT CONNECTOR

LINE REGULATION:

+/- 1% TYPICAL MEASURED AT FULL LOAD

TURN ON/ TURN OFF OVERTHOOT:

5% MAXIMUM, 1mS TYPICAL RECOVERY TIME FOR 25% STEP LOAD

TURN-ON DELAY:

1 SEC TYPICAL

HOLD-UP TIME:

10mS TYPICAL AT NOMINAL INPUT VOLTAGE AND FULL LOAD

INRUSH CURRENT:

20A MAX COLD START FOR 115VAC

EFFICIENCY:

75% TYPICAL AT NOMINAL INPUT AND FULL LOAD

SWITCHING FREQUENCY:

100 KHZ TYPICAL

OVER-VOLTAGE PROTECTION:

VOLTAGE LIMITED TO LESS THAN 130%, CROWBAR METHOD

OVER-CURRENT / SHORT CIRCUIT:

HICCUP MODE WITH AUTO-RECOVERY (110 - 130% OF RATED LOAD), HICCUP MODE OUTPUT WILL AUTORECOVER UPON REMOVAL OF SHORT

SAFETY APPROVALS:

UL 60950 (THIRD EDITION), CUL TO 22.2 NO. 60950, TUV TO EN60950, PSE TO J60950, CHINESE CCC MARK TO GB4943-2001, GB9254-1998, GB17625.1-2003; C-TICK TO AS/NZ 60950, CB REPORT

OTHER PROTECTION:

INPUT LINE FUSING

DIELECTRIC WITHSTAND VOLTAGE:

4242VDC (3000VAC) FROM PRIMARY TO SECONDARY

2121VDC (1500VAC) FROM PRIMARY TO SECONDARY

LEAKAGE CURRENT:

<500uA at 264Vac INPUT VOLTAGE

LINE SURGE:

EN 61000-4-5 LEVEL 4

EMI:

COMPLIES WITH EN55022 CLASS B AND FCC PART 15 CLASS B WHEN TESTED WITH RESISTIVE LOAD, BOTH CONDUCTED AND RADIATED EMI.

CE MARK:

EN55011, Group 1, Class B, EN55022 Class B, EN55011, Group 1, Class B; EN55024 / EN60601-1-2 / IEC 61000-4-3:2002; EN55024 / EN60601-1-2 / IEC 61000-4-6:2001; EN55024 / EN60601-1-2 / IEC 61000-4-8:2001; EN55024 / EN60601-1-2 / IEC 61000-4-11:2001; EN55024 / EN60601-1-2 / IEC 61000-4-4:2001; EN55024 / EN60601-1-2 / IEC 61000-4-2:2001; EN55024 / EN60601-1-2 / IEC 61000-4-5:2001; EN55024 / EN 61000-3-3 A1: 2001 / EN 61000-3-3 A1: 2001; EN55024 / EN 61000-3-2:2001 / EN 61000-3-2:2001. UNIT IS ELIGIBLE FOR CE MARK.

MTBF:

GREATER THAN 50,000 HOURS AT 25°C AMBIENT TEMPERATURE NOMINAL LINE AND FULL LOAD (MIL-217 STD)

OPERATING TEMPERATURE:

0°C TO 40°C AMBIENT TEMPERATURE

STORAGE TEMPERATURE:

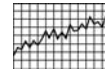
-40° C TO 80° C

HUMIDITY:

0% TO 90% RELATIVE HUMIDITY

NOTES:

1. -: ITE MODEL OR (M): MEDICAL MODEL
2. EACH OUTPUT CURRENT MAY VARY WITHIN IT'S DESIGNATION RANGE, AS LONG AS OUTPUT POWER IS NOT EXCEEDED.
3. SINGLE OUTPUT UNITS ARE AVAILABLE FROM 3.3V UP TO 48V IN 0.1V INCREMENTS.
4. (X.X) OPTIONAL FOR SPECIFYING OUTPUT VOLTAGE DEVIATION FROM STANDARD MODEL. SUBTRACTING X.X VOLTS FROM STANDARD OUTPUT VOLTAGE.



SEE APPENDIX "E" FOR ELECTRICAL PERFORMANCE CURVES

OUTPUT VOLTAGE / CURRENT:

MODEL NUMBER	OUTPUT VOLTAGE (VDC)	OUTPUT CURRENT (A)	RATED OUTPUT POWER (W)
GT-21097-2003	+3.3	0 - 6.0	0 - 20
GT-21097-3005-1.0	+4.0	0 - 6.0	0 - 24
GT-21097-3005-X.X	+5.0	0 - 6.0	0 - 30
GT-21097-4509-3.0	+6.0	0 - 5.0	0 - 30
GT-21097-4509-2.0	+7.0	0 - 5.0	0 - 35
GT-21097-4509-1.0	+8.0	0 - 5.0	0 - 40
GT-21097-4509-X.X	+9.0	0 - 5.0	0 - 45
GT-21097-5012-2.0	+10.0	0 - 5.0	0 - 50
GT-21097-5012-1.0	+11.0	0 - 4.5	0 - 50
GT-21097-5012-X.X	+12.0	0 - 4.17	0 - 50
GT-21097-5015-2.0	+13.0	0 - 3.8	0 - 50
GT-21097-5015-1.2	+13.8	0 - 3.6	0 - 50
GT-21097-5015-1.0	+14.0	0 - 3.5	0 - 50
GT-21097-5015-X.X	+15.0	0 - 3.3	0 - 50
GT-21097-5018-X.X	+18.0	0 - 2.8	0 - 50
GT-21097-5024-4.0	+20.0	0 - 2.5	0 - 50
GT-21097-5024-X.X	+24.0	0 - 2.1	0 - 50
GT-21097-5048-20.4	+27.6	0 - 1.8	0 - 50
GT-21097-5048-18.0	+30.0	0 - 1.7	0 - 50
GT-21097-5048-12.0	+36.0	0 - 1.4	0 - 50
GT-21097-5048-X.X	+48.0	0 - 1.1	0 - 50



ISO 9001:2000
REGISTERED



**0-50 Watts, DeskTop, Switchmode Universal Input,
Single Output Family, ITE**

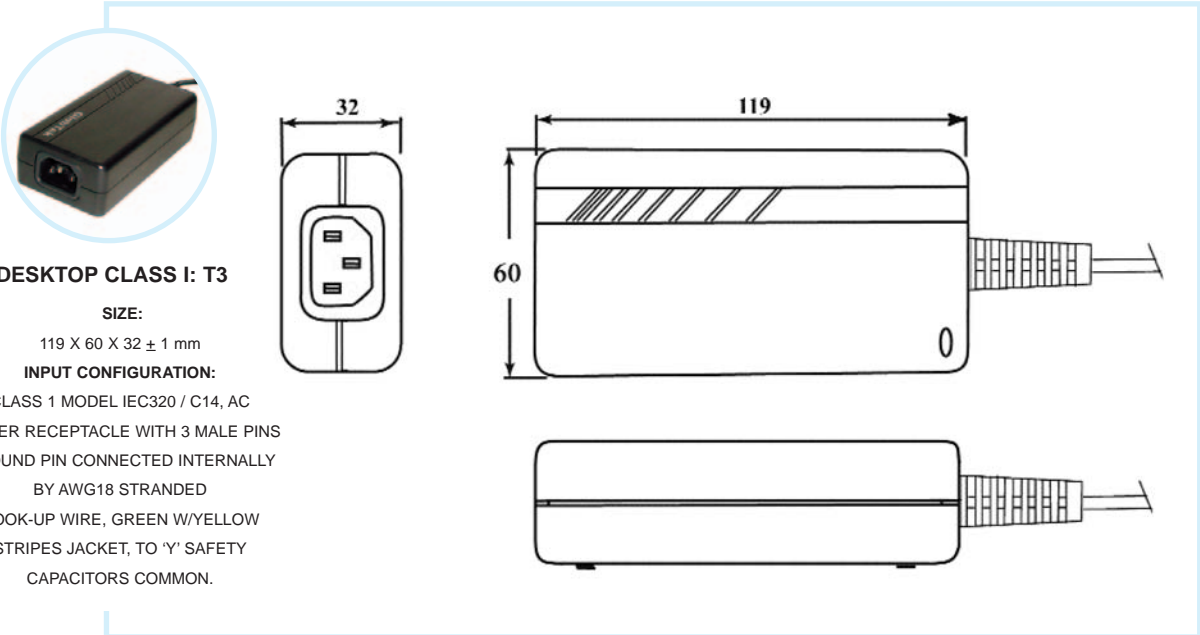
Part Number Ordering System (See Page 224)
Output Plug/Cord Options (See Page 189)
Medical Versions (See Page 56)



INDOOR USE ONLY

ENCLOSURES

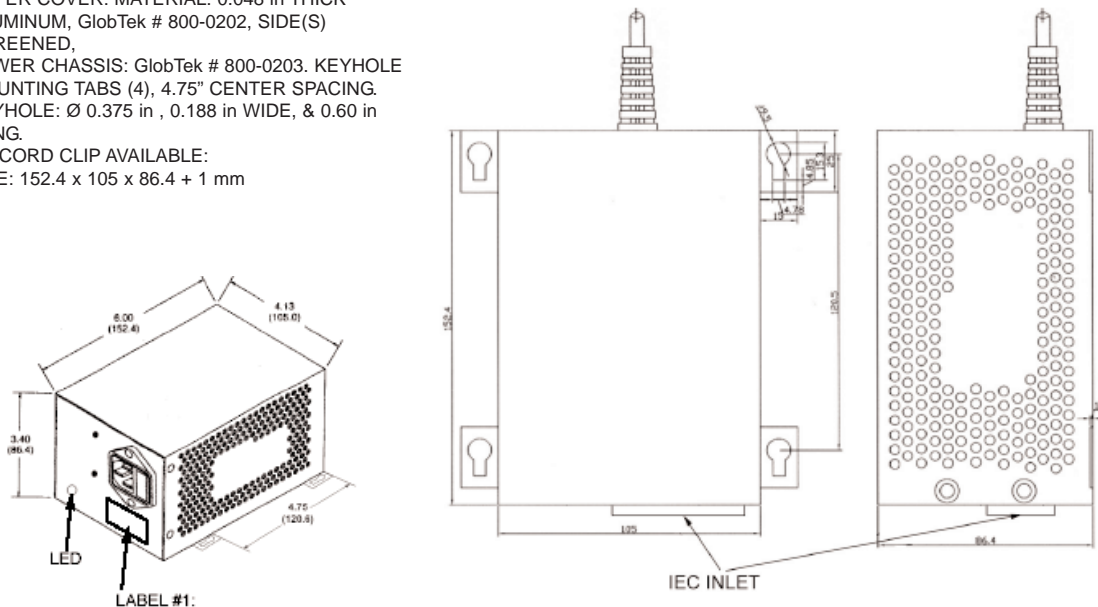
UPPER HOUSING: HIGH IMPACT PLASTIC, 94V0 POLYCARBONATE, NON-VENTED, COLOR BLACK
LOWER HOUSING: HIGH IMPACT PLASTIC 94V0 POLYCARBONATE, NON- VENTED, COLOR BLACK



INDICATOR:
GREEN LED, OUTPUT PRESENT

ALTERNATE ENCLOSURE (SPECIAL ORDER):

UPPER COVER: MATERIAL: 0.048 in THICK ALUMINUM, GlobTek # 800-0202, SIDE(S) SCREENED,
LOWER CHASSIS: GlobTek # 800-0203. KEYHOLE MOUNTING TABS (4), 4.75" CENTER SPACING.
KEYHOLE: Ø 0.375 in , 0.188 in WIDE, & 0.60 in LONG.
AC CORD CLIP AVAILABLE:
SIZE: 152.4 x 105 x 86.4 + 1 mm



SPECIFICATIONS MAY CHANGE WITHOUT PRIOR NOTICE. CONSULT GLOBTEK CUSTOMER SERVICE FOR LATEST SPECIFICATIONS.

