



ISO 9001:2000
REGISTERED



0-19 Watts, Wall Plug-In, Single Output Family, ITE Class I & II, N.A., Japan, Europe, U.K., Australia, Universal Input

Part Number Ordering System (See Page 224)
Output Plug/Cord Options (See Page 189)
Medical Versions (See Page 26)



ELECTRICAL SPECIFICATIONS:

INPUT VOLTAGE:
90 VAC TO 264 VAC

INPUT CURRENT:
< 1.0 A RMS AT 90 VAC INPUT

INPUT FREQUENCY:
47 HZ - 63 HZ

OUTPUT CURRENT:
NO LOAD TO FULL LOAD, NO MINIMUM LOAD REQUIRED

OUTPUT POWER (RATED):
18 WATTS MAX

OUTPUT RIPPLE (PEAK TO PEAK):
≤ 1% TYP

OUTPUT REGULATION (LINE/LOAD):
± 5 % FOR MAIN OUTPUT, MEASURED AT O/P CONNECTOR

LINE REGULATION:
± 0.5 % MAX AT FULL LOAD

TURN ON/ TURN OFF OVERTHOOT:
5% MAX 500µs MAX RECOVERY TIME FOR 25% STEP LOAD

TURN-ON DELAY:
1 SEC MAX

HOLD-UP TIME:
16 mSEC MIN AT NOMINAL INPUT AND FULL LOAD

INRUSH CURRENT:
20 A MAX AT COLD START FOR N.A. (40A FOR EURO)

EFFICIENCY:
75 % TYPICAL

SWITCHING FREQUENCY:
100 KHZ TYPICAL, VARIES WITH LINE AND LOAD

OVER-VOLTAGE PROTECTION:
VOLTAGE LIMITED LESS 130% OF NOMINAL VOLTAGE

OVER-CURRENT / SHORT CIRCUIT:
HICCUP WITH AUTO RECOVERY TO 1.1 - 1.3 IO

OTHER PROTECTION:
INPUT FUSING

SAFETY APPROVALS:
ITE MODELS:
UL 60950, CUL TO 22.2 NO. 60950, TUV DEMKO PCBC EN60950, AND cTUVus TO UL 60950 FOR CLASS II FE AND CLASS II; CE FOR EMC, PSE TO J60950, C-TICK

DIELECTRIC WITHSTAND VOLTAGE:
4242VDC (3000VAC) PRIMARY-SECONDARY,
2121VDC (1500VAC) PRIMARY-GROUND

LEAKAGE CURRENT:
< 300 µA AT 264VAC INPUT VOLTAGE

LINE SURGE:
EN 61000-4-5 LEVEL 4

EMI:
COMPLIES WITH EN55022 AND EN55011, CLASS B AND FCC PART 15 CLASS B WHEN TESTED WITH A RESISTIVE LOAD, BOTH CONDUCTED AND RADIATED

CE MARK:
EN55011, Group 1, Class B, EN5022 Class B, EN55011, Group 1, Class B; EN55024 / EN60601-1-2 / IEC 61000-4-3:2002; EN55024 / EN60601-1-2 / IEC 61000-4-6:2001; EN55024 / EN60601-1-2 / IEC 61000-4-8:2001; EN55024 / EN60601-1-2 / IEC 61000-4-11:2001; EN55024 / EN60601-1-2 / IEC 61000-4-4:2001; EN55024 / EN60601-1-2 / IEC 61000-4-2:2001; EN55024 / EN60601-1-2 / IEC 61000-4-5:2001; EN55024 / EN 61000-3-3 A1: 2001 / EN 61000-3-3 A1: 2001; EN55024 / EN 61000-3-2:2001 / EN 61000-3-2:2001. UNIT IS ELIGIBLE FOR CE MARK.

MTBF:
GREATER THAN 50,000 HOURS AT 25°C AMBIENT TEMPERATURE,

OPERATING TEMPERATURE:
0° C TO 40° C

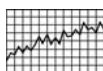
STORAGE TEMPERATURE:
-40° C TO 80° C

HUMIDITY:
0% TO 90% RELATIVE HUMIDITY

MODEL NUMBER CODE:
GT-2: INTERNAL CODE;
- : ITE MODEL
1089: FAMILY DESIGNATION;
1003 TO 1948: POWER/INPUT VOLTAGE;
T: DESKTOP;
W: WALL PLUG IN;
3: CLASS I, PROTECTIVE GROUND; (NA, U.K. ONLY)
2: CLASS II, DOUBLE INSULATED; (NA, EURO, AUSTRALIA)
-E,U,A: PLUG CONFIGURATION: N.A.; EURO; U.K.; AUSTRALIA

NOTES:

- EACH OUTPUT CURRENT MAY VARY WITHIN IT'S DESIGNATION RANGE, AS LONG AS OUTPUT POWER IS NOT EXCEEDED.
- OUTPUTS ARE AVAILABLE FROM 3.3V-48V IN 0.1V INCREMENTS (48V FOR C-TUV-US ONLY)
- (X,X) OPTIONAL FOR SPECIFYING OUTPUT VOLTAGE DEVIATION FROM STANDARD MODEL: SUBTRACTING X.X VOLTS FROM STANDARD OUTPUT VOLTAGE.



SEE APPENDIX "C" FOR ELECTRICAL PERFORMANCE CURVES

**OUTPUT VOLTAGE / CURRENT:
CLASS I MODELS, PROTECTIVE GROUND**

MODEL NUMBER	OUTPUT VOLTAGE (VDC)	OUTPUT CURRENT (A)	RATED OUTPUT POWER (W)
GT-21089-1003-W3(W3U)	+3.3	0 - 2.6	0-9
GT-21089-1305-1.0-W3(W3U)	+4.0	0 - 2.6	0-10
GT-21089-1305-X.X-W3(W3U)	+5.0	0 - 2.6	0-13
GT-21089-1506-X.X-W3(W3U)	+6.0	0 - 2.5	0-15
GT-21089-1509-2.0-W3(W3U)	+7.0	0 - 2.0	0-15
GT-21089-1509-1.0-W3(W3U)	+8.0	0 - 1.8	0-15
GT-21089-1509-X.X-W3(W3U)	+9.0	0 - 1.7	0-15
GT-21089-1512-2.0-W3(W3U)	+10.0	0 - 1.5	0-15
GT-21089-1512-1.0-W3(W3U)	+11.0	0 - 1.3	0-15





ISO 9001:2000
REGISTERED

GT-21089 SERIES-19W

0-19 Watts, Wall Plug-In, Single Output Family, ITE Class I & II, N.A., Japan, Europe, U.K., Australia, Universal Input

Part Number Ordering System (See Page 224)
Output Plug/Cord Options (See Page 189)
Medical Models (See Page 26)



INDOOR USE ONLY



OUTPUT VOLTAGE / CURRENT: CLASS I MODELS, PROTECTIVE GROUND

MODEL NUMBER	OUTPUT VOLTAGE (VDC)	OUTPUT CURRENT (A)	RATED OUTPUT POWER (W)
GT-21089-1512-X.X-W3(W3U)	+12.0	0 - 1.25	0-15
GT-21089-1815-2.0-W3(W3U)	+13.0	0 - 1.15	0-15
GT-21089-1815-1.2-W3(W3U)	+13.8	0 - 1.09	0-15
GT-21089-1815-1.0-W3(W3U)	+14.0	0 - 1.07	0-15
GT-21089-1815-X.X-W3(W3U)	+15.0	0 - 1.2	0-18
GT-21089-1818-2.0-W3(W3U)	+16.0	0 - 1.2	0-18
GT-21089-1818-1.0-W3(W3U)	+17.0	0 - 1.0	0-18
GT-21089-1818-X.X-W3(W3U)	+18.0	0 - 1.0	0-18
GT-21089-1824-5.0-W3(W3U)	+19.0	0 - 0.95	0-18
GT-21089-1824-4.0-W3(W3U)	+20.0	0 - 0.90	0-18
GT-21089-1824-X.X-W3(W3U)	+24.0	0 - .75	0-18
GT-21089-1948-20.4-W3(W3U) (TUV/NRTL REPLACES UL/NRTL)	+27.6	0 - 0.65	0-18
GT-21089-1948-18.0-W3(W3U) (TUV/NRTL REPLACES UL/NRTL)	+30.0	0 - 0.6	0-18
GT-21089-1948-12.0-W3(W3U) (TUV/NRTL REPLACES UL/NRTL)	+36.0	0 - 0.5	0-19
GT-21089-1948-X.X-W3(W3U) (TUV/NRTL REPLACES UL/NRTL)	+48.0	0 - 0.4	0-19

OUTPUT VOLTAGE / CURRENT: CLASS II MODELS, DOUBLE INSULATED

GT-21089-1003-T2(W2E, W2A)	+3.3	0 - 2.6	0-9
GT-21089-1505-1.0-(W2E, W2A)	+4.0	0 - 2.5	0-9
GT-21089-1505-X.X-(W2E, W2A)	+5.0	0 - 2.6	0-13
GT-21089-1506-X.X-(W2E, W2A)	+6.0	0 - 2.5	0-15
GT-21089-1509-2.0-(W2E, W2A)	+7.0	0 - 2.0	0-15
GT-21089-1509-1.0-(W2E, W2A)	+8.0	0 - 1.8	0-15
GT-21089-1509-X.X-(W2E, W2A)	+9.0	0 - 1.7	0-15
GT-21089-1512-2.0-(W2E, W2A)	+10.0	0 - 1.5	0-15
GT-21089-1512-1.0-(W2E, W2A)	+11.0	0 - 1.3	0-15
GT-21089-1512-X.X-(W2E, W2A)	+12.0	0 - 1.25	0-15
GT-21089-1815-2.0-(W2E, W2A)	+13.0	0 - 1.15	0-15
GT-21089-1815-1.2-(W2E, W2A)	+13.8	0 - 1.09	0-15
GT-21089-1815-1.0-(W2E, W2A)	+14.0	0 - 1.07	0-15
GT-21089-1815-X.X-(W2E, W2A)	+15.0	0 - 1.2	0-18
GT-21089-1818-2.0-(W2E, W2A)	+16.0	0 - 1.2	0-18
GT-21089-1818-1.0-(W2E, W2A)	+17.0	0 - 1.0	0-18
GT-21089-1818-X.X-(W2E, W2A)	+18.0	0 - 1.0	0-18
GT-21089-1824-5.0-(W2E, W2A)	+19.0	0 - 0.95	0-18
GT-21089-1824-4.0-(W2E, W2A)	+20.0	0 - 0.90	0-18
GT-21089-1824-X.X-(W2E, W2A)	+24.0	0 - .75	0-18
GT-21089-1948-20.4-(W2E, W2A) (TUV/NRTL REPLACES UL/NRTL)	+27.6	0 - 0.65	0-18
GT-21089-1948-18.0-(W2E, W2A) (TUV/NRTL REPLACES UL/NRTL)	+30.0	0 - 0.6	0-18
GT-21089-1948-12.0-(W2E, W2A) (TUV/NRTL REPLACES UL/NRTL)	+36.0	0 - 0.5	0-19
GT-21089-1948-X.X-(W2E, W2A) (TUV/NRTL REPLACES UL/NRTL)	+48.0	0 - 0.4	0-19





ISO 9001:2000
REGISTERED



0-19 Watts, Wall Plug-In, Single Output Family, ITE Class I & II, N.A., Japan, Europe, U.K., Australia, Universal Input

Part Number Ordering System (See Page 224)
Output Plug/Cord Options (See Page 189)
Medical Models (See Page 26)



INDOOR USE ONLY



ENCLOSURES

NORTH AMERICA/JAPAN: W3

SIZE:
74 x 49 x 40.5 ± 0.5 mm

INPUT CONNECTOR:
CONFIGURATION:
NEMA 5-15 / JIS JIS 8303
CLASS I WITH
2 BLADES & GROUND PIN

UNITED KINGDOM: W3U

SIZE:
74 x 49 x 40.5 ± 0.5 mm

INPUT CONNECTOR:
CONFIGURATION:
BS 1363 / 3 PRONGS
CLASS I

**NORTH AMERICA/
JAPAN: W2**

SIZE:
74 x 49 x 40.5 ± 0.5 mm

INPUT CONNECTOR:
CONFIGURATION:
NEMA 1-15 / JIS 8303
CLASS II
WITH 2 BLADES

EUROPE: W2E

SIZE:
74 x 49 x 40.5 ± 0.5 mm

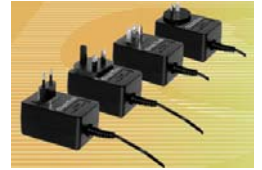
INPUT CONNECTOR:
CONFIGURATION:
EURO PLUG
CEE7/16, CLASS II

SPECIFICATIONS MAY CHANGE WITHOUT PRIOR NOTICE. CONSULT GLOBTEK CUSTOMER SERVICE FOR LATEST SPECIFICATIONS.




ISO 9001:2000
REGISTERED

**0-19 Watts, Wall Plug-In, Single Output Family, ITE Class I & II,
N.A., Japan, Europe, U.K., Australia, Universal Input**



Part Number Ordering System (See Page 224)
Output Plug/Cord Options (See Page 189)
Medical Models (See Page 26)

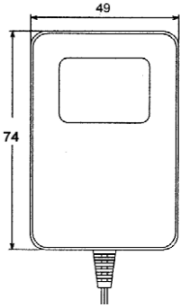
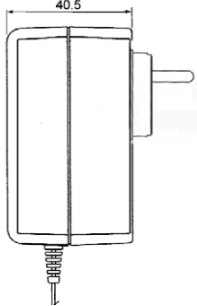

 INDOOR USE ONLY

AUSTRALIA: W2A

SIZE:
74 x 49 x 40.5
± 0.5 mm

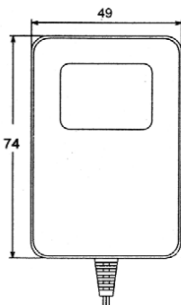
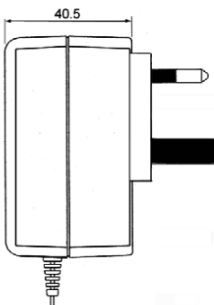
INPUT CONNECTOR:
CONFIGURATION:
AS/NZ 3112
SAA PLUG,
2 BLADES
CLASS II

UNITED KINGDOM: W2U

SIZE:
74 x 49 x 40.5 ± 0.5 mm

INPUT CONNECTOR:
CONFIGURATION:
BS 1363 / 3 PRONGS
(GROUND PRONG
FLOATING, USED FOR
MECHANICAL RIGIDITY)
CLASS II

SPECIFICATIONS MAY CHANGE WITHOUT PRIOR NOTICE. CONSULT GLOBTEK CUSTOMER SERVICE FOR LATEST SPECIFICATIONS.