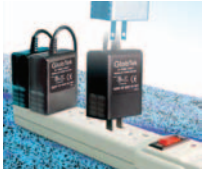


ISO 9001:2000  
REGISTERED
**0-12 Watts, Low-Profile Wall Plug-In, N.A., Europe,  
Universal Input, Single Output Family, ITE Class II**
Part Number Ordering System (See Page 224)  
Output Plug/Cord Options (See Page 189)

INDOOR USE ONLY

**ELECTRICAL SPECIFICATIONS:****INPUT VOLTAGE:**

90 VAC TO 264 VAC

**INPUT CURRENT:**

≤ 0.5 A RMS AT 90 VAC INPUT

**INPUT FREQUENCY:**

47 HZ - 63 HZ

**OUTPUT CURRENT:**

NO MINIMUM LOAD REQUIRED

**OUTPUT POWER (RATED):**

12 WATTS MAX

**OUTPUT RIPPLE (PEAK TO PEAK):**

≤ 1% TYP

**OUTPUT REGULATION (LINE/LOAD):**

+ 5 % FOR MAIN OUTPUT, MEASURED AT O/P CONNECTOR

**LINE REGULATION:**

+ 0.5 % MAX AT FULL LOAD

**TURN ON/ TURN OFF OVERSHOOT:**

4% MAX 500µS MAX RECOVERY TIME FOR 25% STEP LOAD

**TURN-ON DELAY:**

1 SEC MAX

**HOLD-UP TIME:**

10 m SEC MIN AT NOMINAL INPUT AND FULL LOAD

**INRUSH CURRENT:**

30 A MAX AT COLD START FOR N.A. (40A FOR EURO)

**EFFICIENCY:**

75 % TYPICAL

**SWITCHING FREQUENCY:**

100 KHZ TYPICAL, VARIES WITH LINE AND CORD

**OVER-VOLTAGE PROTECTION:**VOLTAGE LIMITED LESS 130% OF NOMINAL VOLTAGE,  
CROWBAR METHOD**OVER-CURRENT / SHORT CIRCUIT:**MOMENTARY SHORT CIRCUIT PROTECTED, OUTPUT WILL  
AUTORECOVER UPON REMOVAL OF SHORT.**OTHER PROTECTION:**

INPUT FUSING

**SAFETY APPROVALS:**UL60950, CUL TO 22.2 # 950, TUV TO EN60950, PSE TO  
J60950, CE CLASS II, CB**DIELECTRIC WITHSTAND VOLTAGE:**

4242VDC (3000VAC) PRIMARY-SECONDARY

**LEAKAGE CURRENT:**

&lt; 1mA AT 264VAC INPUT

**LINE SURGE:**

EN 61000-4-5 LEVEL 4

**EMI:**COMPLIES WITH EN55022, CLASS B AND FCC PART 15  
CLASS B WHEN TESTED WITH A RESISTIVE LOAD, BOTH  
CONDUCTED AND RADIATED EMI**CE MARK:**TESTED TO COMPLY WITH EN61000-3-2 EN61000-3-3,  
AND EN50082-1, INCLUDING EN61000-4-2,  
EN61000-4-3, EN61000-4-4, EN61000-4-5, EN61000-4-6,  
EN61000-4-11, LEVEL 4. UNIT IS ELIGIBLE FOR CE MARK.**MTBF:**GREATER THAN 50,000 HOURS AT 25° C AMBIENT  
TEMPERATURE**OPERATING TEMPERATURE:**

0° C TO 40° C

**STORAGE TEMPERATURE:**

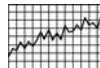
-10° C TO 80° C

**HUMIDITY:**

0% TO 90% RELATIVE HUMIDITY

**NOTES:**

1. -: ITE MODEL
2. EACH OUTPUT CURRENT MAY VARY WITHIN IT'S DESIGNATION RANGE, AS LONG AS OUTPUT POWER IS NOT EXCEEDED.
3. OUTPUTS MAY VARY FROM 3.3V UP TO 24V IN 0.1V INCREMENTS.
4. (X.X) OPTIONAL FOR SPECIFYING OUTPUT VOLTAGE DEVIATION FROM STANDARD MODEL. SUBTRACTING X.X VOLTS FROM STANDARD OUTPUT VOLTAGE.

SEE APPENDIX "B" FOR ELECTRICAL  
PERFORMANCE CURVES**OUTPUT VOLTAGE / CURRENT:****CLASS II MODELS, DOUBLE INSULATED**

MODEL NUMBER	OUTPUT VOLTAGE (VDC)	OUTPUT CURRENT (A)	RATED OUTPUT POWER (W)
GT-21088-0503-W2, W2E	+ 3.0	0 - 1.5	0 - 4.5
GT-21088-0505-1.0-W2, W2E	+ 4.0	0 - 1.5	0 - 6.0
GT-21088-0605-X.X-W2, W2E	+ 5.0	0 - 1.5	0 - 7.5
GT-4101W-05-X.X-W2 (NEMA 1-15P/JIS 8303 BLADE ONLY)	+ 5.0	0 - 2.0 A	0 - 10.0
GT-21088-0806-X.X-W2, W2E	+ 6.0	0 - 1.33	0 - 8.0
GT-21088-0809-2.0-W2, W2E	+ 7.0	0 - 1.28	0 - 9.0
GT-21088-0809-1.0-W2, W2E	+ 8.0	0 - 1.13	0 - 9.0
GT-21088-0909-X.X-W2, W2E	+ 9.0	0 - 1.0	0 - 9.0
GT-21088-1012-X.X-W2, W2E	+12.0	0 - 0.8	0 - 10.0
GT-21088-1015-2.0-W2, W2E	+ 13.0	0 - 0.76	0 - 10.0
GT-21088-1015-1.2-W2, W2E	+ 13.8	0 - 0.72	0 - 10.0
GT-21088-1015-X.X-W2, W2E	+15.0	0 - 0.63	0 - 10.0
GT-4101W-20-X.X-W2 (NEMA 1-15P/JIS 8303 BLADE ONLY)	+20.0	0 - 0.6 A	0 - 12.0
GT-4101W-24-X.X-W2 (NEMA 1-15P/JIS 8303 BLADE ONLY)	+24.0	0 - 0.5 A	0 - 12.0

SPECIFICATIONS MAY CHANGE WITHOUT PRIOR NOTICE. CONSULT GLOBTEK CUSTOMER SERVICE FOR LATEST SPECIFICATIONS.



ISO 9001:2000  
REGISTERED

## GT-21088 AND GT-4101W SERIES-12W

**0-12 Watts, Low-Profile Wall Plug-In, N.A., Europe,  
Universal Input, Single Output Family, ITE Class II**

Part Number Ordering System (See Page 224)  
Output Plug/Cord Options (See Page 189)

 INDOOR USE ONLY



### ENCLOSURES

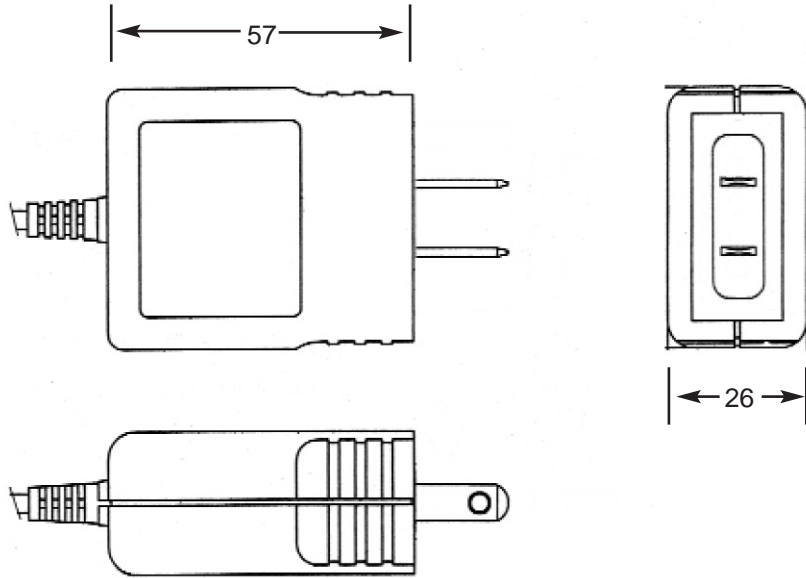
HOUSING: HIGH IMPACT PLASTIC, 94V0 POLYCARBONATE, NON-VENTED, COLOR BLACK, COLOR BLACK, CUSTOMER SPECIFIED COLOR AVAILABLE UPON REQUEST.



**NORTH AMERICA:**  
NEMA 1-15P/JIS

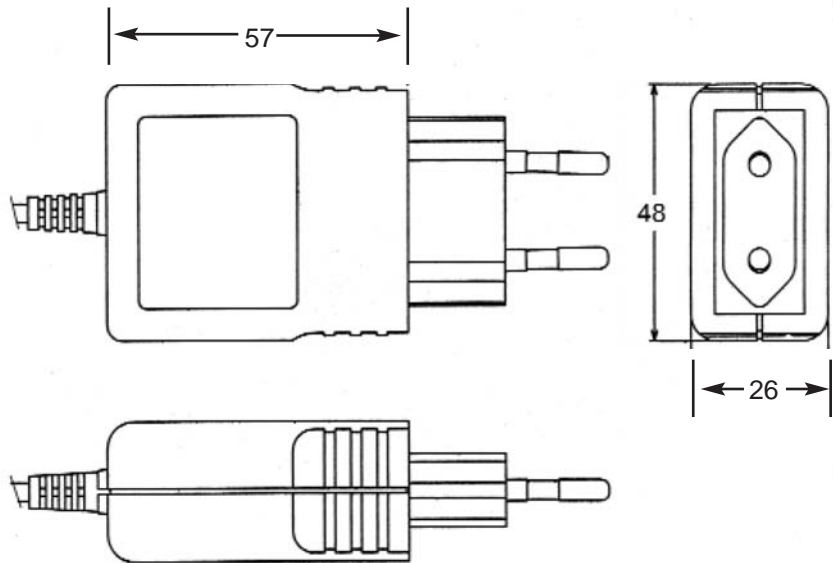
**GT-21088 SIZE:**  
57 x 48 x 26 ± 1mm

**GT-4101W SIZE:**  
60 x 44 x 25 ± 1mm



**EUROPE: - W2E**  
CEE 7/16

**SIZE:**  
57 x 48 x 26 ± 1mm



SPECIFICATIONS MAY CHANGE WITHOUT PRIOR NOTICE. CONSULT GLOBTEK CUSTOMER SERVICE FOR LATEST SPECIFICATIONS.